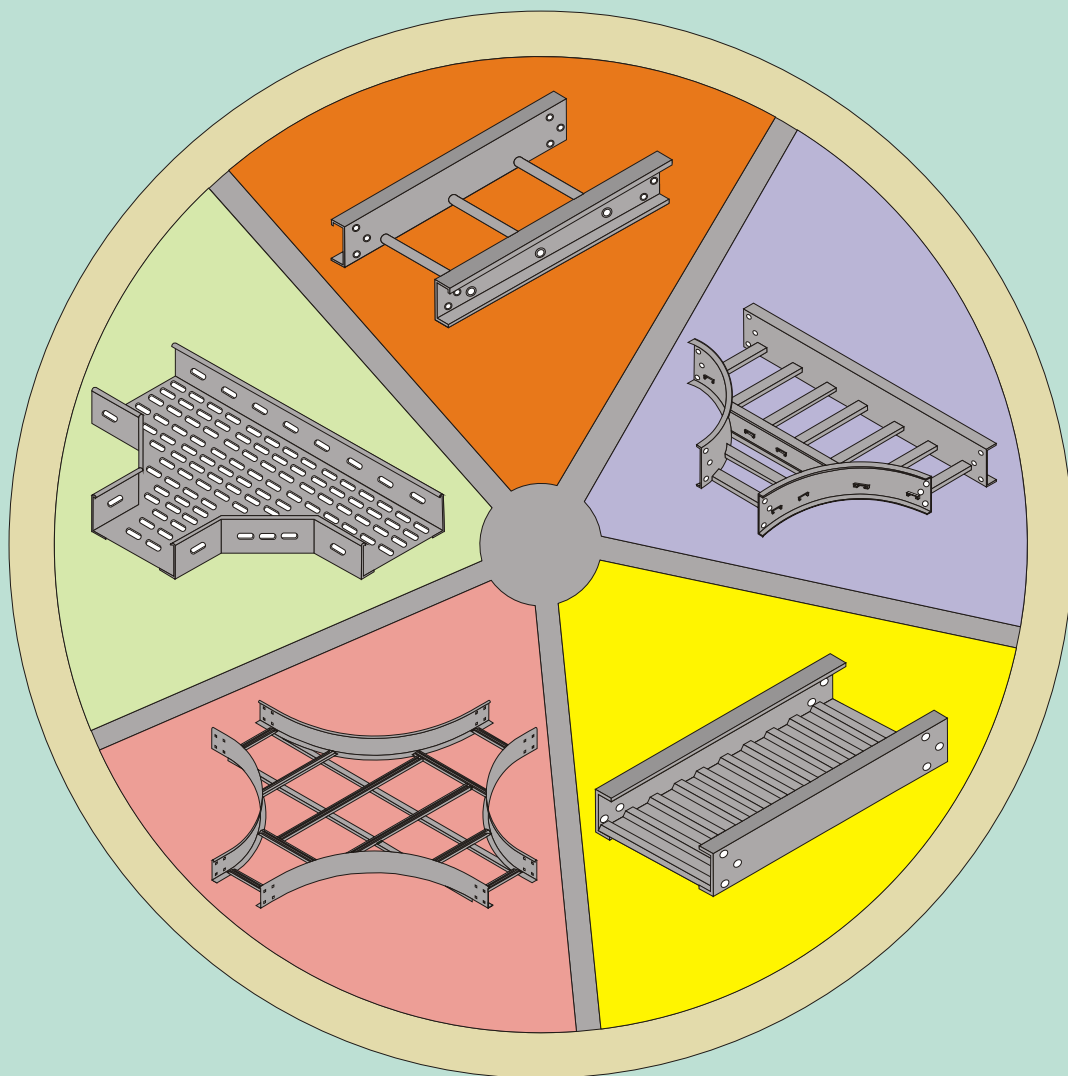


FOR ELECTRICAL INDUSTRIES

A Division of
AL-BANDER Co. Ltd.

CABLE MANAGEMENT SYSTEM



SADENCO CABLE LADDER SYSTEM

“ **SADENCO**” Cable Ladder, NEMA Type is manufactured as per NEMA VE-1 standards and it consists of the following.

- A. Testing of our Cable Ladder, Load test, Destruction test and Deflection test to be applied as per NEMA standard test and on request the certificates are available.
- B. The rung spacing is depend on the type of cable can be 6,” 9”, 12”, 18”, but, we recommend 9” spacing for General use of any types of cables. And this rungs are designed for loading of 90Kg. On each rung gives more strength during pulling cables or if there is instantaneous concentrated on the rung.
- C. The length of rungs, which gives the width of cables ladder as per NEMA standards are 6”, 9”, 18”, 24”, 30” and 36”. Every two-side rail are connected to each other by tubular rung and the rungs are connected to the side rails by swaging process which gives more strength to the connection points in all directions without using any welding , which effect strength of side rails. Swaging gives uniform strength 360 deg. Around the rungs which resist stress at any direction and protect the cable.
- D. Flange side rails stiffened type top flange to give more strength and load capacity. These side rails are related to the loading capacity and its height as per NEMA standard is 4 1/4”, 5 1/4”, and 6 1/4”, and the net loading depth will be total height less 1 ¼ .These side rails have different heights with all necessary holes to connect every length to the other.
- E. For your selection, The charts for loading and deflection are in the following pages.
- F. Different length of Cable Ladder can be offered depending on the request but, Our main standard length is 8ft,10ft,12ft,16ft, and 20ft. The following tables are Loading plan designation as per NEMA standard.

TABLE 01

LOAD/SPAN CLASS DESIGNATION				
Working Load		Support Span		Class Designation Per-1
Lbs./ft	(Kg/m)	Feet	(M)	
50	74.4	8	2.44	8A
75	111.6	8	2.44	8B
100	148.8	8	2.44	8C
50	74.4	12	3.66	12A
75	111.6	12	3.66	12B
100	148.8	12	3.66	12C
50	74.4	16	4.87	16A
75	111.6	16	4.87	16B
100	148.8	16	4.87	16C
50	74.4	20	6.09	20A
75	111.6	20	6.09	20B
100	148.8	20	6.09	20C

SADENCO LADDER - SELECTION CHART

NEMA CLASS, PHYSICAL AND STRUCTURAL PROPERTIES

NEMA Class See NEMA VE - 1 Table 3-1	NEMA Load/Span	STEEL						ALUMINUM					
		Hot Dipped Galvanized After Fabrication System no.	Side Rail Height		Flange Width	Actual Load Depth		SADENCO System Number	Side Rail Height		Flange Width	Actual Load Depth	
			inch	mm	inch	inch	mm		inch	mm	inch	inch	mm
8A 8B 8C	8=8'-0" Load lb./ft. A=50 B=75 C=100	CL/S/S/8A3	4 1/4	108	13/16	3	76	CL/S/A/8A3	4 1/4	108	13/16	3	76
		CL/S/S/8A4	5 1/4	133	13/16	4	102	CL/S/A/8A4	5 1/4	133	13/16	4	102
		CL/S/S/8A5	6 1/4	159	13/16	5	127	CL/S/A/8A5	6 1/4	159	13/16	5	127
		CL/S/S/8A6	7 1/4	184	13/16	6	152	CL/S/A/8A6	7 1/4	184	13/16	6	152
		CL/S/S/8B3	4 1/4	108	13/16	3	76	CL/S/A/8B3	4 1/4	108	13/16	3	76
		CL/S/S/8B4	5 1/4	133	13/16	4	102	CL/S/A/8B4	5 1/4	133	13/16	4	102
		CL/S/S/8B5	6 1/4	159	13/16	5	127	CL/S/A/8B5	6 1/4	159	13/16	5	127
		CL/S/S/8B6	7 1/4	184	13/16	6	152	CL/S/A/8B6	7 1/4	184	13/16	6	152
		CL/S/S/8C3	4 1/4	108	13/16	3	76	CL/S/A/8C3	4 1/4	108	13/16	3	76
		CL/S/S/8C4	5 1/4	133	13/16	4	102	CL/S/A/8C4	5 1/4	133	13/16	4	102
		CL/S/S/8C5	6 1/4	159	13/16	5	127	CL/S/A/8C5	6 1/4	159	13/16	5	127
		CL/S/S/8C6	7 1/4	184	13/16	6	152	CL/S/A/8C6	7 1/4	184	13/16	6	152
12A	50 lb.ft 12'span	CL/S/S/12A3	4 1/4	108	13/16	3	76	CL/S/A/12A3	4 1/4	108	13/16	3	76
		CL/S/S/12A4	5 1/4	133	13/16	4	102	CL/S/A/12A4	5 1/4	133	13/16	4	102
		CL/S/S/12A5	6 1/4	159	13/16	5	127	CL/S/A/12A5	6 1/4	159	13/16	5	127
		CL/S/S/12A6	7 1/4	184	13/16	6	152	CL/S/A/12A6	7 1/4	184	13/16	6	152
12B	75 lb.ft 12'span	CL/S/S/12B3	4 1/4	108	13/16	3	76	CL/S/A/12B3	4 1/4	108	13/16	3	76
		CL/S/S/12B4	5 1/4	133	13/16	4	102	CL/S/A/12B4	5 1/4	133	13/16	4	102
		CL/S/S/12B5	6 1/4	159	13/16	5	127	CL/S/A/12B5	6 1/4	159	13/16	5	127
		CL/S/S/12B6	7 1/4	184	13/16	6	152	CL/S/A/12B6	7 1/4	184	13/16	6	152
12C	100 lb.ft 12'span	CL/S/S/12C3	4 1/4	108	13/16	3	76	CL/S/A/12C3	4 1/4	108	13/16	3	76
		CL/S/S/12C4	5 1/4	133	13/16	4	102	CL/S/A/12C4	5 1/4	133	13/16	4	102
		CL/S/S/12C5	6 1/4	159	13/16	5	127	CL/S/A/12C5	6 1/4	159	13/16	5	127
		CL/S/S/12C6	7 1/4	184	13/16	6	152	CL/S/A/12C6	7 1/4	184	13/16	6	152
16A	50 lb.ft 12'span	CL/S/S/16A3	4 1/4	108	1 1/4	3	76	CL/S/A/16A3	4 1/4	108	13/16	3	76
		CL/S/S/16A4	5 1/4	133	1 1/4	4	102	CL/S/A/16A4	5 1/4	133	1 1/4	4	102
		CL/S/S/16A5	6 1/4	159	1 1/4	5	127	CL/S/A/16A5	6 1/4	159	1 1/4	5	127
		CL/S/S/16A6	7 1/4	184	1 1/4	6	152	CL/S/A/16A6	7 1/4	184	1 1/4	6	152
16B	75 lb.ft 12'span	CL/S/S/16B3	4 1/4	108	1 1/4	3	76	CL/S/A/16B3	4 1/4	108	1 1/4	3	76
		CL/S/S/16B4	5 1/4	133	1 1/4	4	102	CL/S/A/16B4	5 1/4	133	1 1/4	4	102
		CL/S/S/16B5	6 1/4	159	1 1/4	5	127	CL/S/A/16B5	6 1/4	159	1 1/4	5	127
		CL/S/S/16B6	7 1/4	184	1 1/4	6	152	CL/S/A/16B6	7 1/4	184	1 1/2	6	152
16C	100 lb.ft 12'span	CL/S/S/16C3	4 1/4	108	1 1/4	3	76	CL/S/A/16C3	4 1/4	108	1 1/4	3	76
		CL/S/S/16C4	5 1/4	133	1 1/4	4	102	CL/S/A/16C4	5 1/4	133	1 1/4	4	102
		CL/S/S/16C5	6 1/4	159	1 1/4	5	127	CL/S/A/16C5	6 1/4	159	1 3/4	5	127
		CL/S/S/16C6	7 1/4	184	1 1/4	6	152	CL/S/A/16C6	7 1/4	184	1 1/2	6	152
20A	50 lb.ft 12'span	CL/S/S/20A3	4 1/4	108	1 1/4	3	76	CL/S/A/20A3	4 1/4	108	1 1/4	3	76
		CL/S/S/20A4	5 1/4	133	1 1/4	4	102	CL/S/A/20A4	5 1/4	133	1 1/4	4	102
		CL/S/S/20A5	6 1/4	159	1 1/4	5	127	CL/S/A/20A5	6 1/4	159	1 3/4	5	127
		CL/S/S/20A6	7 1/4	184	1 1/4	6	152	CL/S/A/20A6	7 1/4	184	1 1/2	6	152
20B	75 lb.ft 12'span	CL/S/S/20B3	4 1/4	108	1 1/4	3	76	CL/S/A/20B3	4 1/4	108	1 1/4	3	76
		CL/S/S/20B4	5 1/4	133	1 1/4	4	102	CL/S/A/20B4	5 1/4	133	1 1/4	4	102
		CL/S/S/20B5	6 1/4	159	1 1/4	5	127	CL/S/A/20B5	6 1/4	159	1 3/4	5	127
		CL/S/S/20B6	7 1/4	184	1 1/4	6	152	CL/S/A/20B6	7 1/4	184	1 1/2	6	152
20C	100 lb.ft 12'span	CL/S/S/20C3	4 1/4	108	1 1/4	3	76	CL/S/A/20C3	4 1/4	108	1 1/2	3	76
		CL/S/S/20C4	5 1/4	133	1 1/4	4	102	CL/S/A/20C4	5 1/4	133	1 1/4	4	102
		CL/S/S/20C5	6 1/4	19	1 1/4	5	127	CL/S/A/20C5	6 1/4	19	1 3/4	5	127
		CL/S/S/20C6	7 1/4	184	1 1/4	6	152	CL/S/A/20C6	7 1/4	184	2	6	152

NOTE: SUPPLIED IN STAINLESS STEEL UPON REQUEST
(Indicate SADENCO System No. + Length + Rung Spacing + Width)

**(LADDER TYPE) CABLE SUPPORT SYSTEM
LOAD AND DEFLECTION DATA FOR STEEL LADDER**

SADENCO System No.	WORKING (ALLOWABLE) LOAD CAPACITY - EVENLY DISTRIBUTED SPAN (ft) - SIMPLE BEAM - SAFETY FACTOR : 1.5																	
	6 (1.8)			8 (2.4)			10 (3.1)			12 (3.7)			16 (4.9)			20 (6.1)		
	k	w	d	k	w	d	k	w	d	k	w	d	k	w	d	k	w	d
CL/S/S/8A3	+	292	.23	.003	164	.42	.006	103	.63	.013	69	.89						
CL/S/S/8A4	+	383	.18	.001	210	.31	.004	127	.46	.007	83	.62						
CL/S/S/8A5	+	357	.11	+	194	.18	.002	119	.28	.005	79	.38						
CL/S/S/8A6	+	420	.09	+	227	.16	.002	139	.22	.003	92	.30						
CL/S/S/8B3	+	292	.23	.003	164	.42	.006	103	.63	.013	69	.89						
CL/S/S/8B4	+	383	.18	.001	210	.31	.004	127	.46	.007	83	.62						
CL/S/S/8B5	+	357	.11	+	194	.18	.002	119	.28	.005	79	.38						
CL/S/S/8B6	+	420	.09	+	227	.16	.002	139	.22	.003	92	.30						
CL/S/S/8C3	+	292	.23	.003	164	.42	.006	103	.63	.013	69	.89						
CL/S/S/8C4	+	383	.18	.001	210	.31	.004	127	.46	.007	83	.62						
CL/S/S/8C5	+	357	.11	+	194	.18	.002	119	.28	.005	79	.38						
CL/S/S/8C6	+	420	.09	+	227	.16	.002	139	.22	.003	92	.30						
CL/S/S/12A3	+	292	.23	.003	164	.42	.006	103	.63	.013	69	.89						
CL/S/S/12A4	+	383	.18	.001	210	.31	.004	127	.46	.007	83	.62						
CL/S/S/12A5	+	357	.11	+	194	.18	.002	119	.28	.005	79	.38						
CL/S/S/12A6	+	420	.09	+	227	.16	.002	139	.22	.003	92	.30						
CL/S/S/12B3	+	360	.26	.003	198	.46	.006	124	.70	.012	84	.98						
CL/S/S/12B4	+	383	.18	.001	210	.31	.004	127	.46	.007	83	.62						
CL/S/S/12B5	+	357	.11	+	194	.18	.002	119	.28	.005	79	.38						
CL/S/S/12B6	+	680	.12	+	328	.19	.001	182	.26	.003	107	.30						
CL/S/S/12C3	+	453	.27	.003	249	.47	.005	156	.71	.009	106	1.00						
CL/S/S/12C4	+	456	.20	.001	244	.33	.003	152	.51	.007	103	.71						
CL/S/S/12C5	+	460	.11	+	250	.19	.002	154	.29	.004	103	.40						
CL/S/S/12C6	+	680	.12	+	328	.19	.001	182	.26	.003	107	.31						
CL/S/S/16A3				.003	249	.53	.004	182	.81	.009	126	1.71	.029	65	1.91			
CL/S/S/16A4				.001	244	.42	.003	245	.66	.006	170	.94	.018	86	1.54			
CL/S/S/16A5				+	250	.20	.002	166	.31	.004	111	.43	.012	58	.71			
CL/S/S/16A6				+	328	.17	.001	199	.26	.003	133	.36	.008	69	.58			
CL/S/S/16B3				.003	290	.56	.004	244	.88	.008	169	1.27	.024	88	2.08			
CL/S/S/16B4				.001	382	.42	.003	245	.66	.006	170	.94	.018	86	1.54			
CL/S/S/16B5				+	268	.31	.002	159	.46	.004	171	.62	.012	86	.99			
CL/S/S/16B6				+	322	.17	.001	199	.26	.003	133	.36	.008	75	.63			
CL/S/S/16C3				.003	487	.58	.003	312	.91	.006	216	1.31	.019	113	2.16			
CL/S/S/16C4				.001	444	.42	.002	273	.63	.005	186	.89	.015	100	1.51			
CL/S/S/16C5				+	574	.35	.001	367	.55	.003	245	.76	.010	123	1.22			
CL/S/S/16C6				+	504	.25	.001	306	.37	.003	202	.38	.008	101	.80			
CL/S/S/20A3										.008	169	1.27	.024	88	2.08	.057	52	2.98
CL/S/S/20A4										.005	186	.89	.015	100	1.51	.037	53	1.94
CL/S/S/20A5										.003	245	.76	.010	123	1.22	.024	66	1.59
CL/S/S/20A6										.002	178	.51	.007	93	.62	.017	55	.91
CL/S/S/20B3										.005	251	1.36	.017	131	2.24	.042	77	3.23
CL/S/S/20B4										.004	280	.12	.012	145	1.67	.028	85	2.40
CL/S/S/20B5										.003	269	.80	.009	139	1.28	.022	81	1.82
CL/S/S/20B6										.002	291	.59	.006	148	.95	.016	85	1.33
CL/S/S/20C3										.004	316	1.26	.013	164	2.06	.013	100	3.09
CL/S/S/20C4										.003	304	1.00	.010	157	1.63	.025	100	2.50
CL/S/S/20C5										.003	296	.79	.008	152	1.28	.018	105	1.91
CL/S/S/20C6										.002	379	.66	.005	191	1.05	.013	102	1.37

W - Working (allowable) Pound per linear foot
K - Deflection for each pound of load (inches)
d - Deflection (inches)

(Metric : for kg/m multiply w by 1.48)
() : Equivalent Metric
t - denotes k less than .001 inch

**(LADDER TYPE) CABLE SUPPORT SYSTEM
LOAD AND DEFLECTION DATA FOR ALUMINUM LADDER**

SADENCO System No.	WORKING (ALLOWABLE) LOAD CAPACITY - EVENLY DISTRIBUTED SPAN (ft) - SIMPLE BEAM - SAFETY FACTOR : 1.5																	
	6 (1.8)			8 (2.4)			10 (3.1)			12 (3.7)			16 (4.9)			20 (6.1)		
	k	w	d	k	w	d	k	w	d	k	w	d	k	w	d	k	w	d
CL/S/A/8A3	.002	181	.34	.006	102	.60	.014	65	.94	.030	45	1.36						
CL/S/A/8A4	.001	324	.33	.003	182	.59	.007	117	.87	.016	77	1.26						
CL/S/A/8A5	+	359	.22	.002	191	.37	.005	115	.55	.010	75	.74						
CL/S/A/8A6	+	416	.18	.001	221	.31	.003	133	.87	.007	87	.62						
CL/S/A/8B3	.002	181	.34	.006	102	.60	.014	65	.94	.030	45	1.36						
CL/S/A/8B4	.001	324	.33	.003	182	.59	.007	117	.87	.016	77	1.26						
CL/S/A/8B5	+	359	.22	.002	191	.37	.005	115	.55	.010	75	.74						
CL/S/A/8B6	+	416	.18	.001	221	.31	.003	133	.87	.007	87	.62						
CL/S/A/8C3	.002	181	.34	.006	102	.60	.014	65	.94	.030	45	1.36						
CL/S/A/8C4	.001	324	.33	.003	182	.59	.007	117	.87	.016	77	1.26						
CL/S/A/8C5	+	359	.22	.002	191	.37	.005	115	.55	.010	75	.74						
CL/S/A/8C6	+	416	.18	.001	221	.31	.003	133	.87	.007	87	.61						
CL/S/A/12A3	.002	222	.34	.005	125	.63	.012	80	.99	.026	55	1.42						
CL/S/A/12A4	.001	324	.33	.003	182	.59	.007	117	.87	.016	77	1.26						
CL/S/A/12A5	+	359	.22	.002	191	.37	.005	115	.55	.010	75	.74						
CL/S/A/12A6	+	416	.18	.001	221	.31	.003	133	.46	.007	87	.62						
CL/S/A/12B3	.001	354	.45	.004	191	.76	.010	117	1.14	.020	78	1.57						
CL/S/A/12B4	.001	324	.33	.003	182	.59	.007	117	.87	.016	77	1.26						
CL/S/A/12B5	+	357	.22	.002	191	.37	.005	155	.55	.010	75	.74						
CL/S/A/12B6	+	680	.18	.001	221	.31	.003	133	.46	.007	87	.62						
CL/S/A/12C3	+	448	.39	.003	251	.69	.007	161	1.08	.014	112	1.55						
CL/S/A/12C4	+	394	.31	.002	222	.55	.006	142	.86	.012	100	1.24						
CL/S/A/12C5	+	480	.24	.001	257	.40	.004	156	.60	.008	102	.81						
CL/S/A/12C6	+	540	.17	.001	286	.29	.003	172	.43	.005	111	.57						
CL/S/A/16A3				.003	251	.69	.007	161	1.08	.014	112	1.55	.044	51	2.26	.110	25	2.75
CL/S/A/16A4				.002	260	.44	.004	166	.69	.009	96	.82	.027	51	1.36	.065	28	1.83
CL/S/A/16A5				.001	273	.37	.003	155	.51	.007	101	.69	.022	51	1.10	.053	24	1.28
CL/S/A/16A6				+	284	.26	.002	182	.41	.005	110	.52	.015	52	.78	.037	30	1.10
CL/S/A/16B3				.002	342	.72	.005	219	1.12	.011	152	1.61	.033	82	2.74	.082	52	4.27
CL/S/A/16B4				.001	349	.51	.004	223	.80	.007	155	1.15	.023	79	1.85	.057	51	2.89
CL/S/A/16B5				.001	380	.49	.003	222	.69	.006	154	1.00	.021	78	1.61	.050	50	2.51
CL/S/A/16B6				+	377	.32	.002	241	.50	.004	149	.64	.014	78	1.06	.033	50	1.65
CL/S/A/16C3				.002	444	.71	.002	284	.70	.008	188	1.53	.026	106	2.73	.063	66	4.07
CL/S/A/16C4				.001	525	.55	.003	336	.86	.005	233	1.24	.017	119	2.01	.041	76	3.14
CL/S/A/16C5				+	481	.41	.002	308	.64	.004	215	.92	.013	121	1.63	.033	77	2.55
CL/S/A/16C6				+	542	.44	.002	318	.62	.004	221	.90	.013	119	1.53	.032	76	2.39
CL/S/A/20A3										.011	152	1.61	.033	82	2.74	.082	52	4.27
CL/S/A/20A4										.007	155	1.51	.023	79	1.85	.057	51	2.89
CL/S/A/20A5										.006	154	1.00	.021	78	1.61	.050	50	2.51
CL/S/A/20A6										.004	221	.90	.013	119	1.53	.032	76	2.39
CL/S/A/20B3										.007	224	1.53	.022	120	2.59	.053	77	4.05
CL/S/A/20B4										.005	233	1.24	.017	119	2.01	.041	76	3.14
CL/S/A/20B5										.004	215	.92	.013	121	1.63	.033	77	2.55
CL/S/A/20B6										.004	221	.90	.013	119	1.53	.032	76	2.39
CL/S/A/20C3										.006	298	1.79	.019	161	3.07	.047	103	4.79
CL/S/A/20C4										.005	290	1.35	.015	156	2.30	.036	100	3.59
CL/S/A/20C5										.004	316	1.23	.012	178	2.19	.030	114	3.43
CL/S/A/20C6										.003	313	.93	.009	176	1.66	.023	113	2.59

W - Working (allowable) Pound per linear foot
K - Deflection for each pound of load (inches)
d - Deflection (inches)

(Metric : for kg/m multiply w by 1.48)
() : Equivalent Metric
t - denotes k less than .001 inch

SADENCO CABLE LADDER AND FITTINGS

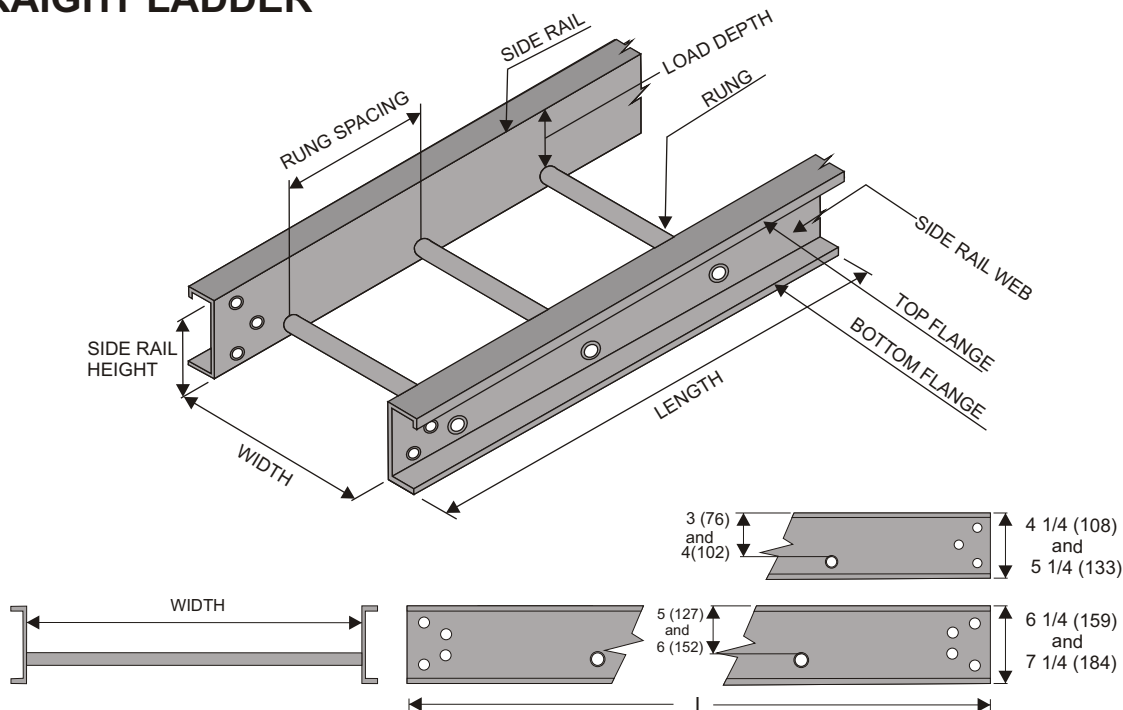
(SWAGE TYPE)

SADENCO sets the standard for all varieties of Cable tray.

This catalog offers part numbers and technical data for a wide variety of cable tray system.

SADENCO LADDER is assembled in Ten (10'), Twelve (12'), Twenty (20'), and Twenty four (24') lengths; Six (6"), Nine (9") Twelve (12"), Eighteen (18") Twenty four (24"), Thirty (30") and Thirty six (36") widths; and has a load depths of Three (3"), Four (4") Five (5"), and Six (6") inches. We are not recommending Three inches (3") load depths for Sixteen (16") and Twenty (20') spans. Rungs having one inch (1") diameter tubes with rung spacing of Six (6"), Nine (9"), Twelve (12") and Eighteen (18") are also available. Fittings have nominal 9" rung spacing through centerline. The measurement given are inside. (Please See Selection Chart for other details)

STRAIGHT LADDER

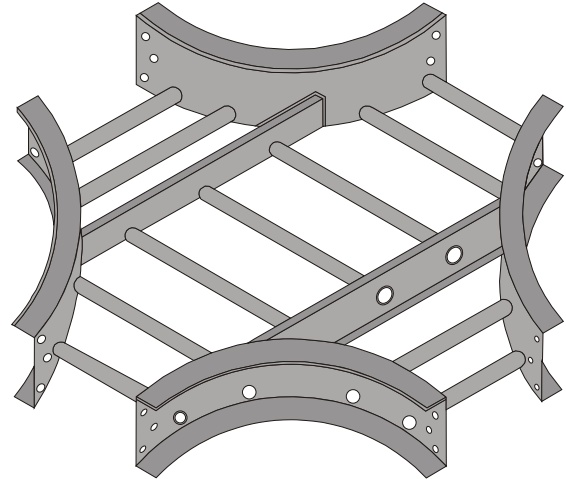
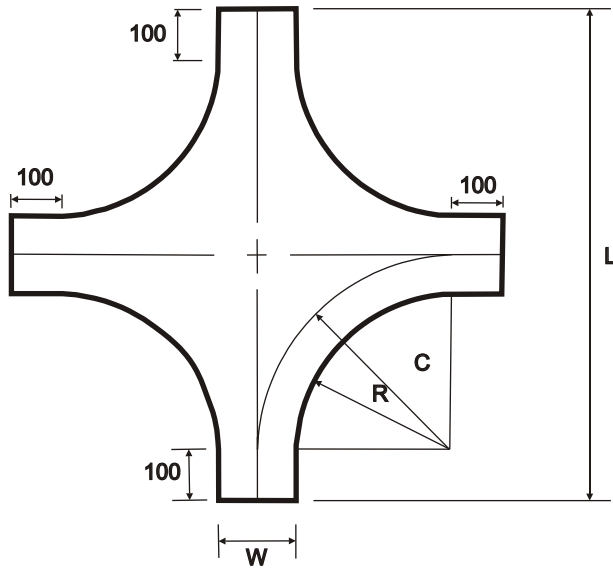


(See Selection Chart)

MATERIAL AND FINISH SPECIFICATION		
	ALUMINUM	HOT DIP GALVANIZED STEEL
Splice Plate Finish	AA-5052-H34	ASTM A-569 ASTM A-123 Grade 65
Rungs	AA-6063-T6 Extruded	ASTM A-366
Side rails	AA-6063-T6 Extruded	ASTM A-366 (18 & 16 Gage)
Covers	AA-3003 H14 or 3150 H14	ASTM A-526 G90
Connector Bolts	SAE J429 Grade 1 (ASTM A-307 Grade A)	SAE J429 gRADE 1 (ASTM A-307 Grade A)

CATALOG NUMBER			
SYSTEM	Rung (ft)	SPACING	Basic Width
From Selection Chart NEMA	NEMA 12 or 24	-06	-06
		-09	-09
		-12	-12
		-18	-18
			-24
		-30	
		-36	

HORIZONTAL CROSS



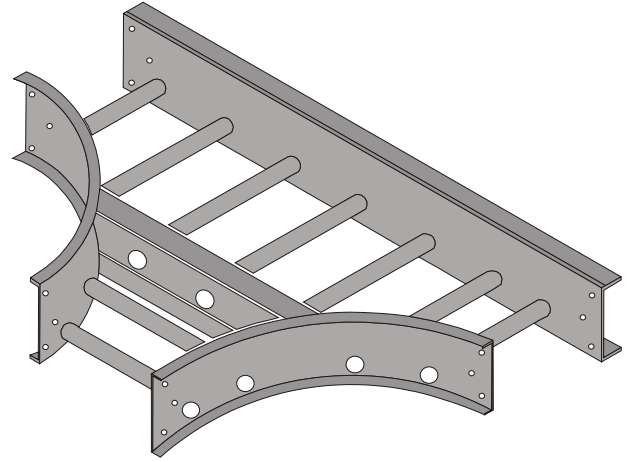
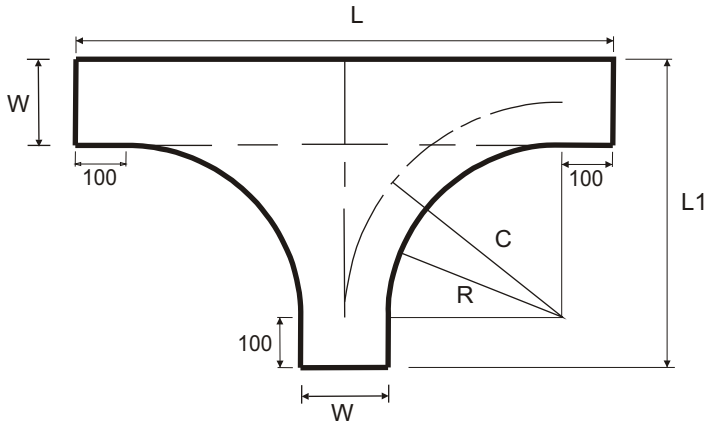
CATALOG #: CL/S/HC

CATALOG NUMBER		DIMENSIONS				RADIUS "R"		WIDTH "W"	
		L		C		inch	mm	inch	mm
ALUMINIUM	STEEL	inch	mm	inch	mm	inch	mm	inch	mm
CL/S/HCA/1206	CL/S/HCS/1206	30"	762	15"	381	12"	305	6"	152
CL/S/HCA/1209	CL/S/HCS/1209	33"	838	16.5"	419	12"	305	9"	229
CL/S/HCA/1212	CL/S/HCS/1212	36"	914	18"	457	12"	305	12"	305
CL/S/HCA/1218	CL/S/HCS/1218	42"	1667	21"	533	12"	305	18"	457
CL/S/HCA/1224	CL/S/HCS/1224	48"	1219	24"	610	12"	305	24"	610
CL/S/HCA/1230	CL/S/HCS/1230	54"	1372	27"	686	12"	305	30"	762
CL/S/HCA/1236	CL/S/HCS/1236	60"	1524	30"	762	12"	305	36"	914
CL/S/HCA/2406	CL/S/HCS/2406	54"	1372	27"	686	24"	610	6"	152
CL/S/HCA/2409	CL/S/HCS/2409	57"	1448	28.5"	724	24"	610	9"	229
CL/S/HCA/2412	CL/S/HCS/2412	60"	1524	30"	762	24"	610	12"	605
CL/S/HCA/2418	CL/S/HCS/2418	66"	1676	33"	838	24"	610	18"	457
CL/S/HCA/2424	CL/S/HCS/2424	72"	1829	36"	914	24"	610	24"	610
CL/S/HCA/2430	CL/S/HCS/2430	78"	1981	39"	991	24"	610	30"	762
CL/S/HCA/2436	CL/S/HCS/2436	84"	2157	42"	1067	24"	610	36"	914
CL/S/HCA/3606	CL/S/HCS/3606	78"	1981	39"	991	36"	914	6"	152
CL/S/HCA/3609	CL/S/HCS/3609	81"	2057	40.5"	1029	36"	914	9"	229
CL/S/HCA/3612	CL/S/HCS/3612	84"	2137	42"	1067	36"	914	12"	305
CL/S/HCA/3618	CL/S/HCS/3618	90"	2286	45"	1143	36"	914	18"	457
CL/S/HCA/3624	CL/S/HCS/3624	106"	2692	48"	1219	36"	914	24"	610
CL/S/HCA/3630	CL/S/HCS/3630	102"	2591	51"	1295	36"	914	30"	762
CL/S/HCA/3636	CL/S/HCS/3636	108"	2743	54"	1372	36"	914	36"	914

ON ORDER ADD TO CATALOG #: LOAD DEPTH (3", 4", 5", 6")

: FLANGE WIDTH (13/16", 1 1/4", 1/2" 1 3/4", 2")

HORIZONTAL TEE



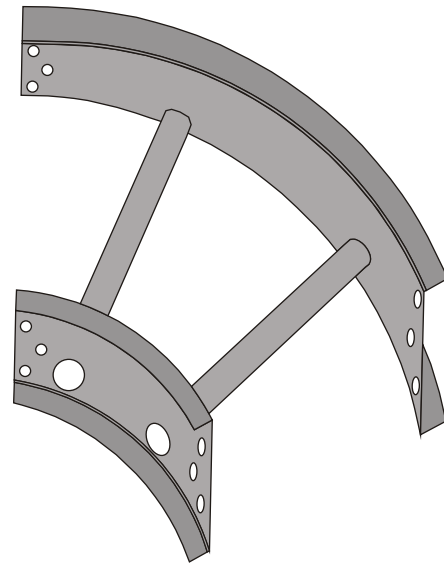
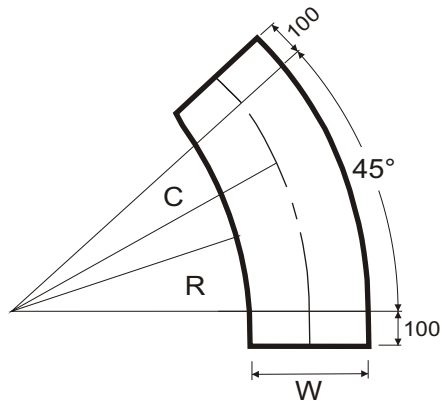
CATALOG #: CL/S/HT

CATALOG NUMBER		DIMENSIONS						RADIUS "R"		WIDTH "W"	
		L		L1		C					
ALUMINIUM	STEEL	inch	mm	inch	mm	inch	mm	inch	mm	inch	mm
CL/S/HTA/1206	CL/S/HTS/1206	30"	762	18	457	15"	381	12"	305	6"	152
CL/S/HTA/1209	CL/S/HTS/1209	33"	838	21	533	16.5"	419	12"	305	9"	229
CL/S/HTA/1212	CL/S/HTS/1212	36"	914	24	610	18"	457	12"	305	12"	305
CL/S/HTA/1218	CL/S/HTS/1218	42"	1667	30	762	21"	533	12"	305	18"	457
CL/S/HTA/1224	CL/S/HTS/1224	48"	1219	36	914	24"	610	12"	305	24"	610
CL/S/HTA/1230	CL/S/HTS/1230	54"	1372	42	1067	27"	686	12"	305	30"	762
CL/S/HTA/1236	CL/S/HTS/1236	60"	1524	48	1219	30"	762	12"	305	36"	914
CL/S/HTA/2406	CL/S/HTS/2406	54"	1372	30	762	27"	686	24"	610	6"	152
CL/S/HTA/2409	CL/S/HTS/2409	57"	1448	33	838	28.5"	724	24"	610	9"	229
CL/S/HTA/2412	CL/S/HTS/2412	60"	1524	36	914	30"	762	24"	610	12"	605
CL/S/HTA/2418	CL/S/HTS/2418	66"	1676	42	1067	33"	838	24"	610	18"	457
CL/S/HTA/2424	CL/S/HTS/2424	72"	1829	48	1219	36"	914	24"	610	24"	610
CL/S/HTA/2430	CL/S/HTS/2430	78"	1981	54	1372	39"	991	24"	610	30"	762
CL/S/HTA/2436	CL/S/HTS/2436	84"	2157	60	1524	42"	1067	24"	610	36"	914
CL/S/HTA/3606	CL/S/HTS/3606	78"	1981	42	1067	39"	991	36"	914	6"	152
CL/S/HTA/3609	CL/S/HTS/3609	81"	2057	45	1143	40.5"	1029	36"	914	9"	229
CL/S/HTA/3612	CL/S/HTS/3612	84"	2137	48	1219	42"	1067	36"	914	12"	305
CL/S/HTA/3618	CL/S/HTS/3618	90"	2286	54	1372	45"	1143	36"	914	18"	457
CL/S/HTA/3624	CL/S/HTS/3624	106"	2692	60	1524	48"	1219	36"	914	24"	610
CL/S/HTA/3630	CL/S/HTS/3630	102"	2591	66	1676	51"	1295	36"	914	30"	762
CL/S/HTA/3636	CL/S/HTS/3636	108"	2743	72	1829	54"	1372	36"	914	36"	914

ON ORDER ADD TO CATALOG #: LOAD DEPTH (3", 4", 5", 6")

: FLANGE WIDTH (13/16", 1 1/4", 1 1/2", 1 3/4", 2")

45° HORIZONTAL ELBOW



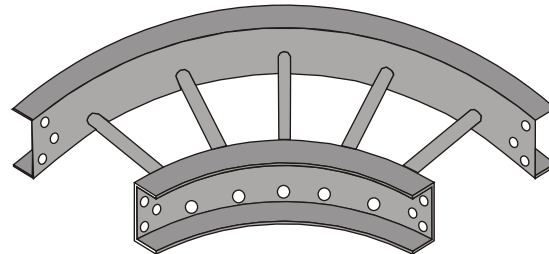
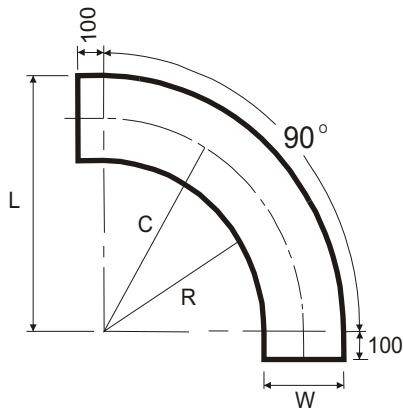
CATALOG #: CL/S/HE45°

CATALOG NUMBER		DIMENSIONS		RADIUS "R"		WIDTH "W"	
		C					
ALUMINIUM	STEEL	inch	mm	inch	mm	inch	mm
CL/S/HE45°A/1206	CL/S/HE45°S/1206	15"	381	12"	305	6"	152
CL/S/HE45°A/1209	CL/S/HE45°S/1209	16.5"	419	12"	305	9"	229
CL/S/HE45°A/1212	CL/S/HE45°S/1212	18"	457	12"	305	12"	305
CL/S/HE45°A/1218	CL/S/HE45°S/1218	21"	533	12"	305	18"	457
CL/S/HE45°A/1224	CL/S/HE45°S/1224	24"	610	12"	305	24"	610
CL/S/HE45°A/1230	CL/S/HE45°S/1230	27"	686	12"	305	30"	762
CL/S/HE45°A/1236	CL/S/HE45°S/1236	30"	762	12"	305	36"	914
CL/S/HE45°A/2406	CL/S/HE45°S/2406	27"	686	24"	610	6"	152
CL/S/HE45°A/2409	CL/S/HE45°S/2409	28.5"	724	24"	610	9"	229
CL/S/HE45°A/2412	CL/S/HE45°S/2412	30"	762	24"	610	12"	605
CL/S/HE45°A/2418	CL/S/HE45°S/2418	33"	838	24"	610	18"	457
CL/S/HE45°A/2424	CL/S/HE45°S/2424	36"	914	24"	610	24"	610
CL/S/HE45°A/2430	CL/S/HE45°S/2430	39"	991	24"	610	30"	762
CL/S/HE45°A/2436	CL/S/HE45°S/2436	42"	1067	24"	610	36"	914
CL/S/HE45°A/3606	CL/S/HE45°S/3606	39"	991	36"	914	6"	152
CL/S/HE45°A/3609	CL/S/HE45°S/3609	40.5"	1029	36"	914	9"	229
CL/S/HE45°A/3612	CL/S/HE45°S/3612	42"	1067	36"	914	12"	305
CL/S/HE45°A/3618	CL/S/HE45°S/3618	45"	1143	36"	914	18"	457
CL/S/HE45°A/3624	CL/S/HE45°S/3624	48"	1219	36"	914	24"	610
CL/S/HE45°A/3630	CL/S/HE45°S/3630	51"	1295	36"	914	30"	762
CL/S/HE45°A/3636	CL/S/HE45°S/3636	54"	1372	36"	914	36"	914

ON ORDER ADD TO CATALOG #: LOAD DEPTH (3", 4", 5", 6")

: FLANGE WIDTH (13/16", 1 1/4", 1 1/2", 1 3/4", 2")

90° HORIZONTAL ELBOW



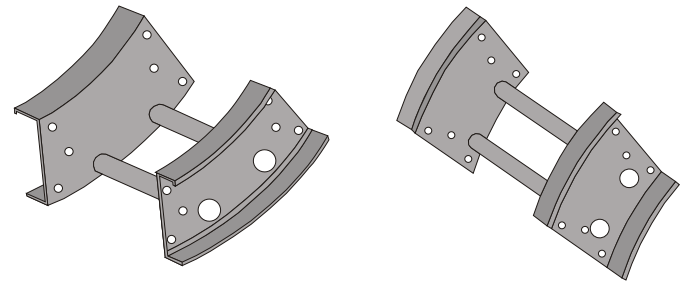
CATALOG #: CL/S/HE90°

CATALOG NUMBER		DIMENSIONS				RADIUS "R"		WIDTH "W"	
		L		C					
ALUMINIUM	STEEL	inch	mm	inch	mm	inch	mm	inch	mm
CL/S/HE90°A/1206	CL/S/HE90°S/1206	18"	457	15"	381	12"	305	6"	152
CL/S/HE90°A/1209	CL/S/HE90°S/1209	21"	533	16.5"	419	12"	305	9"	229
CL/S/HE90°A/1212	CL/S/HE90°S/1212	24"	610	18"	457	12"	305	12"	305
CL/S/HE90°A/1218	CL/S/HE90°S/1218	30"	762	21"	533	12"	305	18"	457
CL/S/HE90°A/1224	CL/S/HE90°S/1224	36"	914	24"	610	12"	305	24"	610
CL/S/HE90°A/1230	CL/S/HE90°S/1230	42"	1067	27"	686	12"	305	30"	762
CL/S/HE90°A/1236	CL/S/HE90°S/1236	48"	1219	30"	762	12"	305	36"	914
CL/S/HE90°A/2406	CL/S/HE90°S/2406	30"	762	27"	686	24"	610	6"	152
CL/S/HE90°A/2409	CL/S/HE90°S/2409	33"	838	28.5"	724	24"	610	9"	229
CL/S/HE90°A/2412	CL/S/HE90°S/2412	36"	914	30"	762	24"	610	12"	605
CL/S/HE90°A/2418	CL/S/HE90°S/2418	42"	1067	33"	838	24"	610	18"	457
CL/S/HE90°A/2424	CL/S/HE90°S/2424	48"	1219	36"	914	24"	610	24"	610
CL/S/HE90°A/2430	CL/S/HE90°S/2430	54"	1372	39"	991	24"	610	30"	762
CL/S/HE90°A/2436	CL/S/HE90°S/2436	60"	1524	42"	1067	24"	610	36"	914
CL/S/HE90°A/3606	CL/S/HE90°S/3606	42"	1067	39"	991	36"	914	6"	152
CL/S/HE90°A/3609	CL/S/HE90°S/3609	45"	1143	40.5"	1029	36"	914	9"	229
CL/S/HE90°A/3612	CL/S/HE90°S/3612	48"	1219	42"	1067	36"	914	12"	305
CL/S/HE90°A/3618	CL/S/HE90°S/3618	54"	1372	45"	1143	36"	914	18"	457
CL/S/HE90°A/3624	CL/S/HE90°S/3624	60"	1524	48"	1219	36"	914	24"	610
CL/S/HE90°A/3630	CL/S/HE90°S/3630	66"	1676	51"	1295	36"	914	30"	762
CL/S/HE90°A/3636	CL/S/HE90°S/3636	72"	1829	54"	1372	36"	914	36"	914

ON ORDER ADD TO CATALOG #: LOAD DEPTH (3", 4", 5", 6")
 : FLANGE WIDTH (13/16", 1 1/4", 1 1/2", 1 3/4", 2")

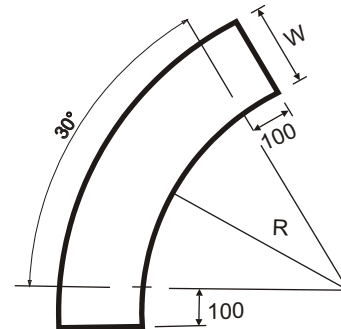
30° VERTICAL ELBOW

RADIUS "R"		WIDTH "W"	
inch	mm	inch	mm
12"	305	6"	152
12"	305	9"	229
12"	305	12"	305
12"	305	18"	457
12"	305	24"	610
12"	305	30"	762
12"	305	36"	914
24"	610	6"	152
24"	610	9"	229
24"	610	12"	305
24"	610	18"	457
24"	610	24"	610
24"	610	30"	762
24"	610	36"	914
36"	914	6"	152
36"	914	9"	229
36"	914	12"	305
36"	914	18"	457
36"	914	24"	610
36"	914	30"	762
36"	914	36"	914



INSIDE

OUTSIDE



CATALOG #: CL/S/VE30°

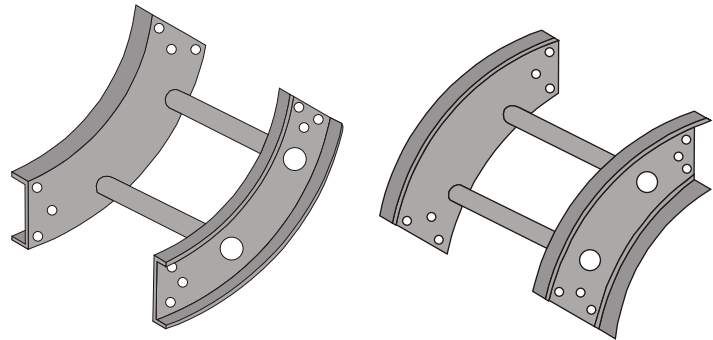
CATALOG NUMBER			
INSIDE		OUTSIDE	
ALUMINIUM	STEEL	ALUMINIUM	STEEL
CL/S/VEI30°A/1206	CL/S/VEI30°S/1206	CL/S/VEO30°A/1206	CL/S/VEO30°S/1206
CL/S/VEI30°A/1209	CL/S/VEI30°S/1209	CL/S/VEO30°A/1209	CL/S/VEO30°S/1209
CL/S/VEI30°A/1212	CL/S/VEI30°S/1212	CL/S/VEO30°A/1212	CL/S/VEO30°S/1212
CL/S/VEI30°A/1218	CL/S/VEI30°S/1218	CL/S/VEO30°A/1218	CL/S/VEO30°S/1218
CL/S/VEI30°A/1224	CL/S/VEI30°S/1224	CL/S/VEO30°A/1224	CL/S/VEO30°S/1224
CL/S/VEI30°A/1230	CL/S/VEI30°S/1230	CL/S/VEO30°A/1230	CL/S/VEO30°S/1230
CL/S/VEI30°A/1236	CL/S/VEI30°S/1236	CL/S/VEO30°A/1236	CL/S/VEO30°S/1236
CL/S/VEI30°A/2406	CL/S/VEI30°S/2406	CL/S/VEO30°A/2406	CL/S/VEO30°S/2406
CL/S/VEI30°A/2409	CL/S/VEI30°S/2409	CL/S/VEO30°A/2409	CL/S/VEO30°S/2409
CL/S/VEI30°A/2412	CL/S/VEI30°S/2412	CL/S/VEO30°A/2412	CL/S/VEO30°S/2412
CL/S/VEI30°A/2418	CL/S/VEI30°S/2418	CL/S/VEO30°A/2418	CL/S/VEO30°S/2418
CL/S/VEI30°A/2424	CL/S/VEI30°S/2424	CL/S/VEO30°A/2424	CL/S/VEO30°S/2424
CL/S/VEI30°A/2430	CL/S/VEI30°S/2430	CL/S/VEO30°A/2430	CL/S/VEO30°S/2430
CL/S/VEI30°A/2436	CL/S/VEI30°S/2436	CL/S/VEO30°A/2436	CL/S/VEO30°S/2436
CL/S/VEI30°A/3606	CL/S/VEI30°S/3606	CL/S/VEO30°A/3606	CL/S/VEO30°S/3606
CL/S/VEI30°A/3609	CL/S/VEI30°S/3609	CL/S/VEO30°A/3609	CL/S/VEO30°S/3609
CL/S/VEI30°A/3612	CL/S/VEI30°S/3612	CL/S/VEO30°A/3612	CL/S/VEO30°S/3612
CL/S/VEI30°A/3618	CL/S/VEI30°S/3618	CL/S/VEO30°A/3618	CL/S/VEO30°S/3618
CL/S/VEI30°A/3624	CL/S/VEI30°S/3624	CL/S/VEO30°A/3624	CL/S/VEO30°S/3624
CL/S/VEI30°A/3630	CL/S/VEI30°S/3630	CL/S/VEO30°A/3630	CL/S/VEO30°S/3630
CL/S/VEI30°A/3636	CL/S/VEI30°S/3636	CL/S/VEO30°A/3636	CL/S/VEO30°S/3636

ON ORDER ADD TO CATALOG #: LOAD DEPTH (3", 4", 5", 6")

: FLANGE WIDTH (13/16", 1 1/4", 1 1/2", 1 3/4", 2")

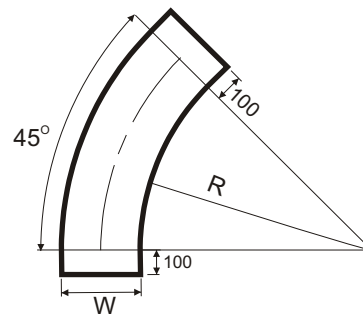
45° VERTICAL ELBOW

RADIUS "R"		WIDTH "W"	
inch	mm	inch	mm
12"	305	6"	152
12"	305	9"	229
12"	305	12"	305
12"	305	18"	457
12"	305	24"	610
12"	305	30"	762
12"	305	36"	914
24"	610	6"	152
24"	610	9"	229
24"	610	12"	305
24"	610	18"	457
24"	610	24"	610
24"	610	30"	762
24"	610	36"	914
36"	914	6"	152
36"	914	9"	229
36"	914	12"	305
36"	914	18"	457
36"	914	24"	610
36"	914	30"	762
36"	914	36"	914



INSIDE

OUTSIDE



CATALOG #: CL/S/VE45°

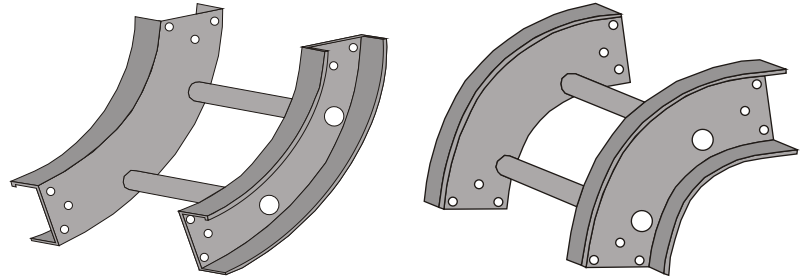
CATALOG NUMBER			
INSIDE		OUTSIDE	
ALUMINIUM	STEEL	ALUMINIUM	STEEL
CL/S/VEI45°A/1206	CL/S/VEI45°S/1206	CL/S/VEO45°A/1206	CL/S/VEO45°S/1206
CL/S/VEI45°A/1209	CL/S/VEI45°S/1209	CL/S/VEO45°A/1209	CL/S/VEO45°S/1209
CL/S/VEI45°A/1212	CL/S/VEI45°S/1212	CL/S/VEO45°A/1212	CL/S/VEO45°S/1212
CL/S/VEI45°A/1218	CL/S/VEI45°S/1218	CL/S/VEO45°A/1218	CL/S/VEO45°S/1218
CL/S/VEI45°A/1224	CL/S/VEI45°S/1224	CL/S/VEO45°A/1224	CL/S/VEO45°S/1224
CL/S/VEI45°A/1230	CL/S/VEI45°S/1230	CL/S/VEO45°A/1230	CL/S/VEO45°S/1230
CL/S/VEI45°A/1236	CL/S/VEI45°S/1236	CL/S/VEO45°A/1236	CL/S/VEO45°S/1236
CL/S/VEI45°A/2406	CL/S/VEI45°S/2406	CL/S/VEO45°A/2406	CL/S/VEO45°S/2406
CL/S/VEI45°A/2409	CL/S/VEI45°S/2409	CL/S/VEO45°A/2409	CL/S/VEO45°S/2409
CL/S/VEI45°A/2412	CL/S/VEI45°S/2412	CL/S/VEO45°A/2412	CL/S/VEO45°S/2412
CL/S/VEI45°A/2418	CL/S/VEI45°S/2418	CL/S/VEO45°A/2418	CL/S/VEO45°S/2418
CL/S/VEI45°A/2424	CL/S/VEI45°S/2424	CL/S/VEO45°A/2424	CL/S/VEO45°S/2424
CL/S/VEI45°A/2430	CL/S/VEI45°S/2430	CL/S/VEO45°A/2430	CL/S/VEO45°S/2430
CL/S/VEI45°A/2436	CL/S/VEI45°S/2436	CL/S/VEO45°A/2436	CL/S/VEO45°S/2436
CL/S/VEI45°A/3606	CL/S/VEI45°S/3606	CL/S/VEO45°A/3606	CL/S/VEO45°S/3606
CL/S/VEI45°A/3609	CL/S/VEI45°S/3609	CL/S/VEO45°A/3609	CL/S/VEO45°S/3609
CL/S/VEI45°A/3612	CL/S/VEI45°S/3612	CL/S/VEO45°A/3612	CL/S/VEO45°S/3612
CL/S/VEI45°A/3618	CL/S/VEI45°S/3618	CL/S/VEO45°A/3618	CL/S/VEO45°S/3618
CL/S/VEI45°A/3624	CL/S/VEI45°S/3624	CL/S/VEO45°A/3624	CL/S/VEO45°S/3624
CL/S/VEI45°A/3630	CL/S/VEI45°S/3630	CL/S/VEO45°A/3630	CL/S/VEO45°S/3630
CL/S/VEI45°A/3636	CL/S/VEI45°S/3636	CL/S/VEO45°A/3636	CL/S/VEO45°S/3636

ON ORDER ADD TO CATALOG #: LOAD DEPTH (3", 4", 5", 6")

: FLANGE WIDTH (13/16", 1 1/4", 1 1/2", 1 3/4", 2")

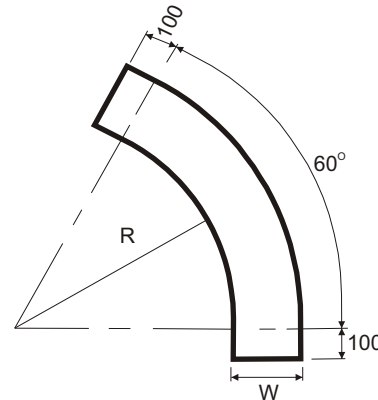
60° VERTICAL ELBOW

RADIUS "R"		WIDTH "W"	
inch	mm	inch	mm
12"	305	6"	152
12"	305	9"	229
12"	305	12"	305
12"	305	18"	457
12"	305	24"	610
12"	305	30"	762
12"	305	36"	914
24"	610	6"	152
24"	610	9"	229
24"	610	12"	305
24"	610	18"	457
24"	610	24"	610
24"	610	30"	762
24"	610	36"	914
36"	914	6"	152
36"	914	9"	229
36"	914	12"	305
36"	914	18"	457
36"	914	24"	610
36"	914	30"	762
36"	914	36"	914



INSIDE

OUTSIDE



CATALOG #: CL/S/VE60°

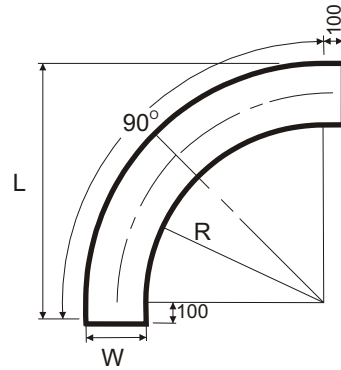
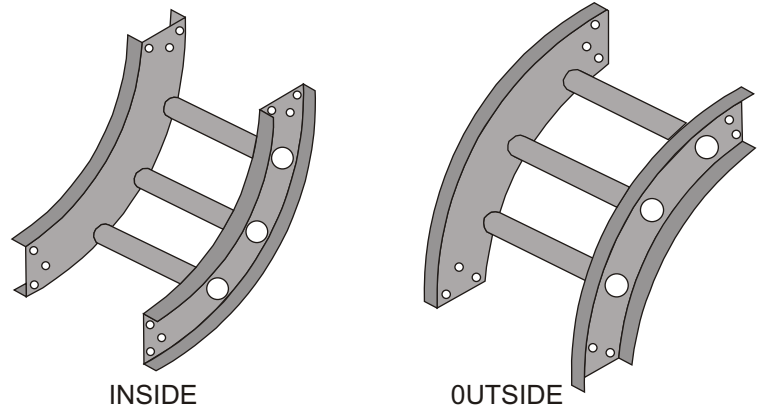
CATALOG NUMBER			
INSIDE		OUTSIDE	
ALUMINIUM	STEEL	ALUMINIUM	STEEL
CL/S/VEI60°A/1206	CL/S/VEI60°S/1206	CL/S/VEO60°A/1206	CL/S/VEO60°S/1206
CL/S/VEI60°A/1209	CL/S/VEI60°S/1209	CL/S/VEO60°A/1209	CL/S/VEO60°S/1209
CL/S/VEI60°A/1212	CL/S/VEI60°S/1212	CL/S/VEO60°A/1212	CL/S/VEO60°S/1212
CL/S/VEI60°A/1218	CL/S/VEI60°S/1218	CL/S/VEO60°A/1218	CL/S/VEO60°S/1218
CL/S/VEI60°A/1224	CL/S/VEI60°S/1224	CL/S/VEO60°A/1224	CL/S/VEO60°S/1224
CL/S/VEI60°A/1230	CL/S/VEI60°S/1230	CL/S/VEO60°A/1230	CL/S/VEO60°S/1230
CL/S/VEI60°A/1236	CL/S/VEI60°S/1236	CL/S/VEO60°A/1236	CL/S/VEO60°S/1236
CL/S/VEI60°A/2406	CL/S/VEI60°S/2406	CL/S/VEO60°A/2406	CL/S/VEO60°S/2406
CL/S/VEI60°A/2409	CL/S/VEI60°S/2409	CL/S/VEO60°A/2409	CL/S/VEO60°S/2409
CL/S/VEI60°A/2412	CL/S/VEI60°S/2412	CL/S/VEO60°A/2412	CL/S/VEO60°S/2412
CL/S/VEI60°A/2418	CL/S/VEI60°S/2418	CL/S/VEO60°A/2418	CL/S/VEO60°S/2418
CL/S/VEI60°A/2424	CL/S/VEI60°S/2424	CL/S/VEO60°A/2424	CL/S/VEO60°S/2424
CL/S/VEI60°A/2430	CL/S/VEI60°S/2430	CL/S/VEO60°A/2430	CL/S/VEO60°S/2430
CL/S/VEI60°A/2436	CL/S/VEI60°S/2436	CL/S/VEO60°A/2436	CL/S/VEO60°S/2436
CL/S/VEI60°A/3606	CL/S/VEI60°S/3606	CL/S/VEO60°A/3606	CL/S/VEO60°S/3606
CL/S/VEI60°A/3609	CL/S/VEI60°S/3609	CL/S/VEO60°A/3609	CL/S/VEO60°S/3609
CL/S/VEI60°A/3612	CL/S/VEI60°S/3612	CL/S/VEO60°A/3612	CL/S/VEO60°S/3612
CL/S/VEI60°A/3618	CL/S/VEI60°S/3618	CL/S/VEO60°A/3618	CL/S/VEO60°S/3618
CL/S/VEI60°A/3624	CL/S/VEI60°S/3624	CL/S/VEO60°A/3624	CL/S/VEO60°S/3624
CL/S/VEI60°A/3630	CL/S/VEI60°S/3630	CL/S/VEO60°A/3630	CL/S/VEO60°S/3630
CL/S/VEI60°A/3636	CL/S/VEI60°S/3636	CL/S/VEO60°A/3636	CL/S/VEO60°S/3636

ON ORDER ADD TO CATALOG #: LOAD DEPTH (3", 4", 5", 6")

: FLANGE WIDTH (13/16", 1 1/4", 1 1/2", 3/4", 2")

90° VERTICAL ELBOW

RADIUS "R"		WIDTH "W"	
inch	mm	inch	mm
12"	305	6"	152
12"	305	9"	229
12"	305	12"	305
12"	305	18"	457
12"	305	24"	610
12"	305	30"	762
12"	305	36"	914
24"	610	6"	152
24"	610	9"	229
24"	610	12"	305
24"	610	18"	457
24"	610	24"	610
24"	610	30"	762
24"	610	36"	914
36"	914	6"	152
36"	914	9"	229
36"	914	12"	305
36"	914	18"	457
36"	914	24"	610
36"	914	30"	762
36"	914	36"	914

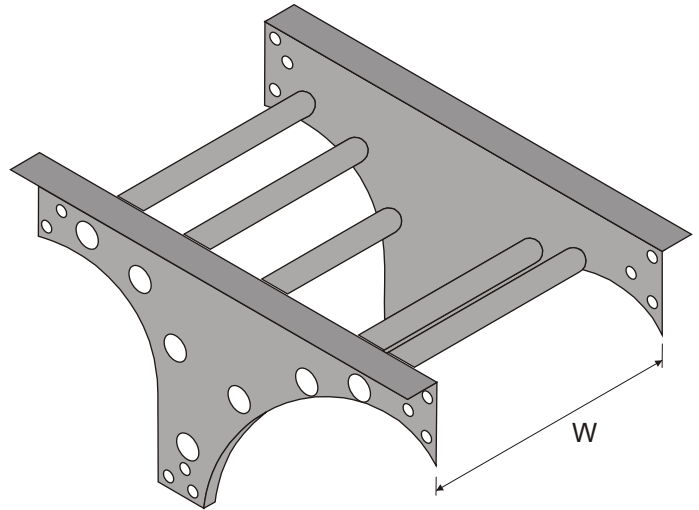
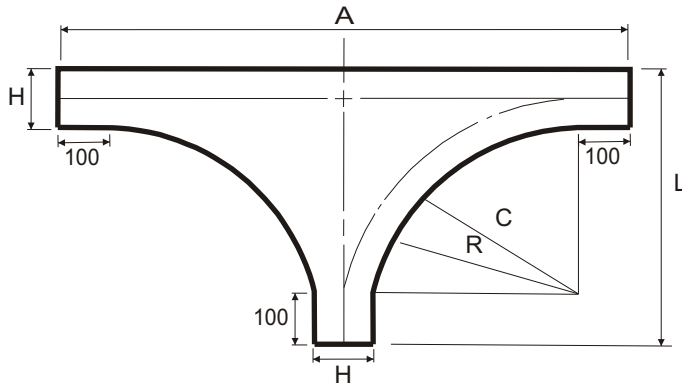


CATALOG #: CL/S/VE90°

CATALOG NUMBER			
INSIDE		OUTSIDE	
ALUMINIUM	STEEL	ALUMINIUM	STEEL
CL/S/VEI90°A/1206	CL/S/VEI90°S/1206	CL/S/VEO90°A/1206	CL/S/VEO90°S/1206
CL/S/VEI90°A/1209	CL/S/VEI90°S/1209	CL/S/VEO90°A/1209	CL/S/VEO90°S/1209
CL/S/VEI90°A/1212	CL/S/VEI90°S/1212	CL/S/VEO90°A/1212	CL/S/VEO90°S/1212
CL/S/VEI90°A/1218	CL/S/VEI90°S/1218	CL/S/VEO90°A/1218	CL/S/VEO90°S/1218
CL/S/VEI90°A/1224	CL/S/VEI90°S/1224	CL/S/VEO90°A/1224	CL/S/VEO90°S/1224
CL/S/VEI90°A/1230	CL/S/VEI90°S/1230	CL/S/VEO90°A/1230	CL/S/VEO90°S/1230
CL/S/VEI90°A/1236	CL/S/VEI90°S/1236	CL/S/VEO90°A/1236	CL/S/VEO90°S/1236
CL/S/VEI90°A/2406	CL/S/VEI90°S/2406	CL/S/VEO90°A/2406	CL/S/VEO90°S/2406
CL/S/VEI90°A/2409	CL/S/VEI90°S/2409	CL/S/VEO90°A/2409	CL/S/VEO90°S/2409
CL/S/VEI90°A/2412	CL/S/VEI90°S/2412	CL/S/VEO90°A/2412	CL/S/VEO90°S/2412
CL/S/VEI90°A/2418	CL/S/VEI90°S/2418	CL/S/VEO90°A/2418	CL/S/VEO90°S/2418
CL/S/VEI90°A/2424	CL/S/VEI90°S/2424	CL/S/VEO90°A/2424	CL/S/VEO90°S/2424
CL/S/VEI90°A/2430	CL/S/VEI90°S/2430	CL/S/VEO90°A/2430	CL/S/VEO90°S/2430
CL/S/VEI90°A/2436	CL/S/VEI90°S/2436	CL/S/VEO90°A/2436	CL/S/VEO90°S/2436
CL/S/VEI90°A/3606	CL/S/VEI90°S/3606	CL/S/VEO90°A/3606	CL/S/VEO90°S/3606
CL/S/VEI90°A/3609	CL/S/VEI90°S/3609	CL/S/VEO90°A/3609	CL/S/VEO90°S/3609
CL/S/VEI90°A/3612	CL/S/VEI90°S/3612	CL/S/VEO90°A/3612	CL/S/VEO90°S/3612
CL/S/VEI90°A/3618	CL/S/VEI90°S/3618	CL/S/VEO90°A/3618	CL/S/VEO90°S/3618
CL/S/VEI90°A/3624	CL/S/VEI90°S/3624	CL/S/VEO90°A/3624	CL/S/VEO90°S/3624
CL/S/VEI90°A/3630	CL/S/VEI90°S/3630	CL/S/VEO90°A/3630	CL/S/VEO90°S/3630
CL/S/VEI90°A/3636	CL/S/VEI90°S/3636	CL/S/VEO90°A/3636	CL/S/VEO90°S/3636

ON ORDER ADD TO CATALOG #: LOAD DEPTH (3", 4", 5", 6")
: FLANGE WIDTH (13/16", 1 1/4", 1 1/2", 1 3/4", 2")

VERTICAL TEE



CATALOG #: CL/S/VT

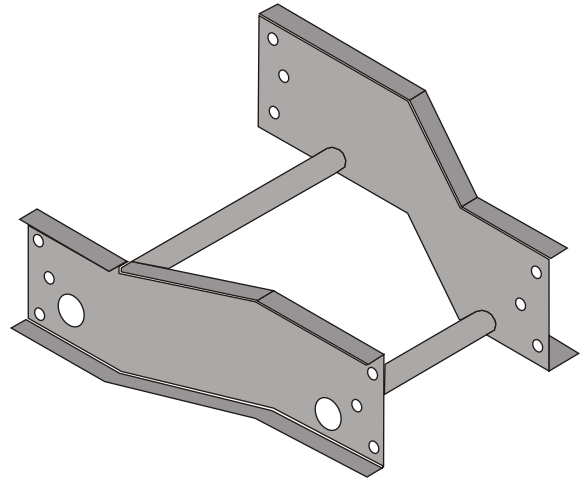
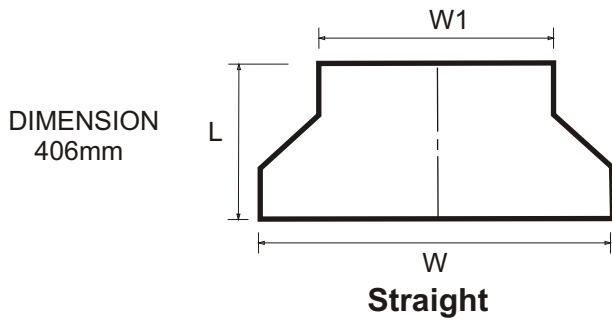
CATALOG NUMBER		DIMENSIONS						RADIUS "R"		HEIGHT "H"	
		L		A		C		inch	mm	inch	mm
ALUMINIUM	STEEL	inch	mm	inch	mm	Inch	mm	inch	mm	inch	mm
CL/S/VT/A/18	CL/S/VT/S/18	19.25"	489	34.25"	870	14.125"	359	12"	305	4 1/4"	108
CL/S/VT/A/28	CL/S/VT/S/28	31.25"	794	58.25"	1479	26.125"	664	24"	610	4 1/4"	108
CL/S/VT/A/38	CL/S/VT/S/38	43.25"	1098	82.25"	2089	38.125"	968	36"	914	4 1/4"	108
CL/S/VT/A/13	CL/S/VT/S/13	20.25"	514	35.25"	895	14.625"	371	12"	305	5 1/4"	133
CL/S/VT/A/23	CL/S/VT/S/23	32.35"	819	59.25"	1505	26.625"	676	24"	610	5 1/4"	133
CL/S/VT/A/33	CL/S/VT/S/33	44.25"	1124	83.25"	22114	38.625"	981	36"	914	5 1/4"	133
CL/S/VT/A/19	CL/S/VT/S/19	27"	686	36.25"	1342	30"	762	12"	305	6 1/4"	159
CL/S/VT/A/29	CL/S/VT/S/29	28.5"	7224	60.25"	1448	33"	838	24"	610	6 1/4"	159
CL/S/VT/A/39	CL/S/VT/S/39	30"	762	84.25"	1524	36"	914	36"	914	6 1/4"	159
CL/S/VT/A/14	CL/S/VT/S/14	22.25	565	37.25"	946	15.625"	397	12"	305	7 1/4"	184
CL/S/VT/A/24	CL/S/VT/S/24	34.25"	870	61.25"	1555	27.625"	702	24"	610	7 1/4"	184
CL/S/VT/A/34	CL/S/VT/S/34	46.25"	1175	85.25"	2165	39.625"	1006	36"	914	7 1/4"	184

ON ORDER ADD TO CATALOG #: LOAD DEPTH (3", 4", 5", 6")
: FLANGE WIDTH (13/16", 1 1/4", 1 1/2", 1 3/4", 2")

W= width in inches:

- Use 06 for 6" w
- 06 for 9" w
- 12 for 12" w
- 18 for 18" w
- 24 for 24" w
- 30 for 30" w
- 36 for 36" w

REDUCER



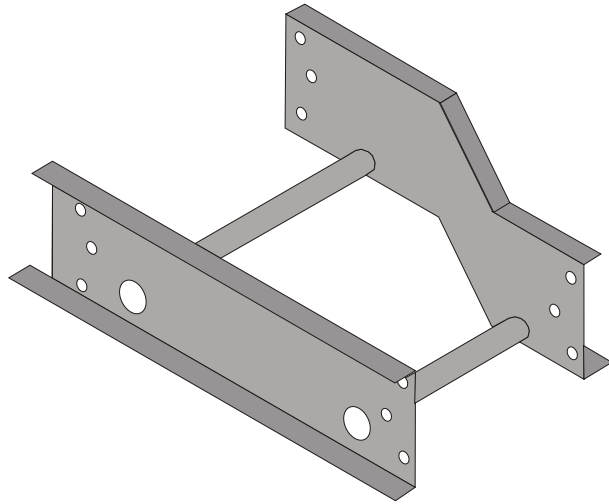
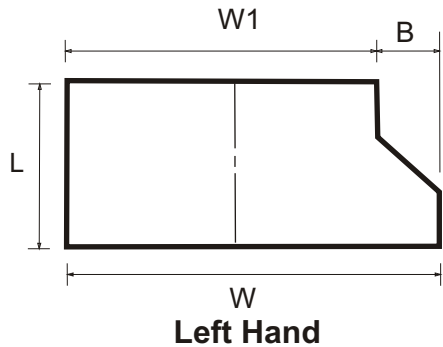
CATALOG #: CL/S/SR

CATALOG NUMBER		DIMENSIONS		WIDTH			
		B		W		W1	
ALUMINIUM	STEEL	inch	mm	inch	mm	inch	mm
CL/S/SR/A/3630	CL/S/SR/S/3630	6	152	36	914	30	762
CL/S/SR/A/3624	CL/S/SR/S/3624	12	305	36	914	24	610
CL/S/SR/A/3618	CL/S/SR/S/3618	18	457	36	914	18	457
CL/S/SR/A/3612	CL/S/SR/S/3612	24	610	36	914	12	305
CL/S/SR/A/3609	CL/S/SR/S/3609	27	686	36	914	09	229
CL/S/SR/A/3606	CL/S/SR/S/3606	30	762	36	914	06	152
CL/S/SR/A/3024	CL/S/SR/S/3024	6	152	30	762	24	610
CL/S/SR/A/3018	CL/S/SR/S/3018	12	305	30	762	18	457
CL/S/SR/A/3012	CL/S/SR/S/3012	18	457	30	762	12	305
CL/S/SR/A/3009	CL/S/SR/S/3009	21	533	30	762	09	229
CL/S/SR/A/3006	CL/S/SR/S/3006	24	610	30	762	06	152
CL/S/SR/A/2418	CL/S/SR/S/2418	6	152	24	610	18	457
CL/S/SR/A/2412	CL/S/SR/S/2412	12	305	24	610	12	305
CL/S/SR/A/2409	CL/S/SR/S/2409	15	381	24	610	09	229
CL/S/SR/A/2406	CL/S/SR/S/2406	18	457	24	610	06	152
CL/S/SR/A/1812	CL/S/SR/S/1812	6	152	18	457	12	305
CL/S/SR/A/1809	CL/S/SR/S/1809	9	229	18	457	09	229
CL/S/SR/A/1806	CL/S/SR/S/1806	12	305	18	457	06	152
CL/S/SR/A/1209	CL/S/SR/S/1209	3	76	12	305	09	229
CL/S/SR/A/1206	CL/S/SR/S/1206	6	152	12	305	06	152
CL/S/SR/A/0906	CL/S/SR/S/0906	3	76	09	229	06	152

ON ORDER ADD TO CATALOG #: LOAD DEPTH (3", 4", 5", 6")

: FLANGE WIDTH (13/16", 1 1/4", 1/2" 1 3/4", 2")

REDUCER



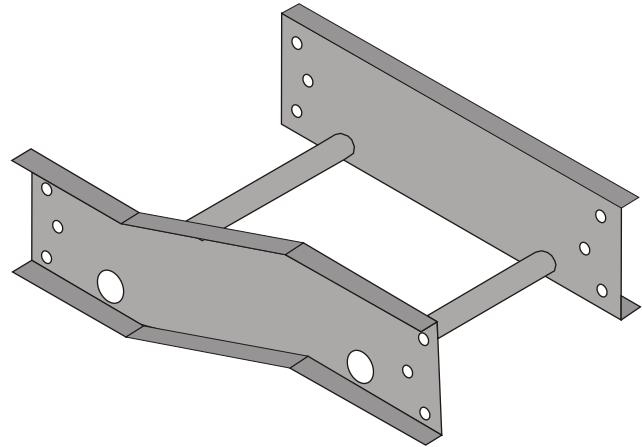
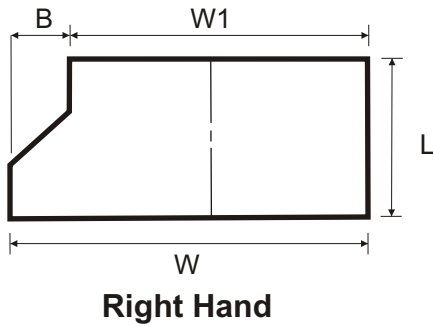
CATALOG #: CL/S/LHR

CATALOG NUMBER		DIMENSIONS		WIDTH			
		B		W		W1	
ALUMINIUM	STEEL	inch	mm	inch	mm	inch	mm
CL/S/LHR/A/3630	CL/S/LHR/S/3630	6	152	36	914	30	762
CL/S/LHR/A/3624	CL/S/LHR/S/3624	12	305	36	914	24	610
CL/S/LHR/A/3618	CL/S/LHR/S/3618	18	457	36	914	18	457
CL/S/LHR/A/3612	CL/S/LHR/S/3612	24	610	36	914	12	305
CL/S/LHR/A/3609	CL/S/LHR/S/3609	27	686	36	914	09	229
CL/S/LHR/A/3606	CL/S/LHR/S/3606	30	762	36	914	06	152
CL/S/LHR/A/3024	CL/S/LHR/S/3024	6	152	30	762	24	610
CL/S/LHR/A/3018	CL/S/LHR/S/3018	12	305	30	762	18	457
CL/S/LHR/A/3012	CL/S/LHR/S/3012	18	457	30	762	12	305
CL/S/LHR/A/3009	CL/S/LHR/S/3009	21	533	30	762	09	229
CL/S/LHR/A/3006	CL/S/LHR/S/3006	24	610	30	762	06	152
CL/S/LHR/A/2418	CL/S/LHR/S/2418	6	152	24	610	18	457
CL/S/LHR/A/2412	CL/S/LHR/S/2412	12	305	24	610	12	305
CL/S/LHR/A/2409	CL/S/LHR/S/2409	15	381	24	610	09	229
CL/S/LHR/A/2406	CL/S/LHR/S/2406	18	457	24	610	06	152
CL/S/LHR/A/1812	CL/S/LHR/S/1812	6	152	18	457	12	305
CL/S/LHR/A/1809	CL/S/LHR/S/1809	9	229	18	457	09	229
CL/S/LHR/A/1806	CL/S/LHR/S/1806	12	305	18	457	06	152
CL/S/LHR/A/1209	CL/S/LHR/S/1209	3	76	12	305	09	229
CL/S/LHR/A/1206	CL/S/LHR/S/1206	6	152	12	305	06	152
CL/S/LHR/A/0906	CL/S/LHR/S/0906	3	76	09	229	06	152

ON ORDER ADD TO CATALOG #: LOAD DEPTH (3", 4", 5", 6")

: FLANGE WIDTH (13/16", 1 1/4", 1 1/2", 1 3/4", 2")

REDUCER

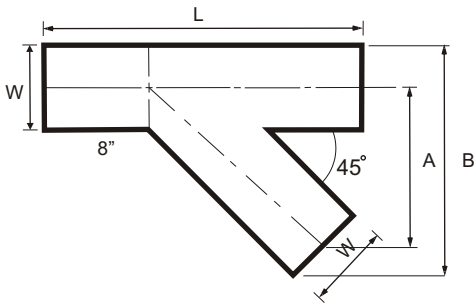
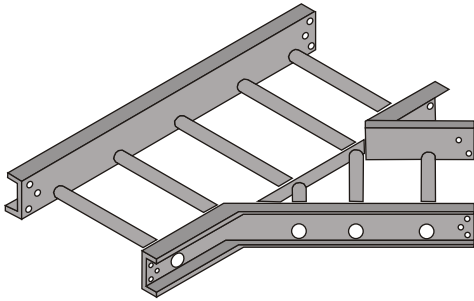


CATALOG #: CL/S/RHR

CATALOG NUMBER		DIMENSIONS		WIDTH			
		B		W		W1	
ALUMINIUM	STEEL	inch	mm	inch	mm	inch	mm
CL/S/RHR/A/3630	CL/S/RHR/S/3630	6	152	36	914	30	762
CL/S/RHR/A/3624	CL/S/RHR/S/3624	12	305	36	914	24	610
CL/S/RHR/A/3618	CL/S/RHR/S/3618	18	457	36	914	18	457
CL/S/RHR/A/3612	CL/S/RHR/S/3612	24	610	36	914	12	305
CL/S/RHR/A/3609	CL/S/RHR/S/3609	27	686	36	914	09	229
CL/S/RHR/A/3606	CL/S/RHR/S/3606	30	762	36	914	06	152
CL/S/RHR/A/3024	CL/S/RHR/S/3024	6	152	30	762	24	610
CL/S/RHR/A/3018	CL/S/RHR/S/3018	12	305	30	762	18	457
CL/S/RHR/A/3012	CL/S/RHR/S/3012	18	457	30	762	12	305
CL/S/RHR/A/3009	CL/S/RHR/S/3009	21	533	30	762	09	229
CL/S/RHR/A/3006	CL/S/RHR/S/3006	24	610	30	762	06	152
CL/S/RHR/A/2418	CL/S/RHR/S/2418	6	152	24	610	18	457
CL/S/RHR/A/2412	CL/S/RHR/S/2412	12	305	24	610	12	305
CL/S/RHR/A/2409	CL/S/RHR/S/2409	15	381	24	610	09	229
CL/S/RHR/A/2406	CL/S/RHR/S/2406	18	457	24	610	06	152
CL/S/RHR/A/1812	CL/S/RHR/S/1812	6	152	18	457	12	305
CL/S/RHR/A/1809	CL/S/RHR/S/1809	9	229	18	457	09	229
CL/S/RHR/A/1806	CL/S/RHR/S/1806	12	305	18	457	06	152
CL/S/RHR/A/1209	CL/S/RHR/S/1209	3	76	12	305	09	229
CL/S/RHR/A/1206	CL/S/RHR/S/1206	6	152	12	305	06	152
CL/S/RHR/A/0906	CL/S/RHR/S/0906	3	76	09	229	06	152

ON ORDER ADD TO CATALOG #: LOAD DEPTH (3", 4", 5", 6")
 : FLANGE WIDTH (13/16", 1 1/4", 1 1/2", 1 3/4", 2")

45 "Y" BRANCH

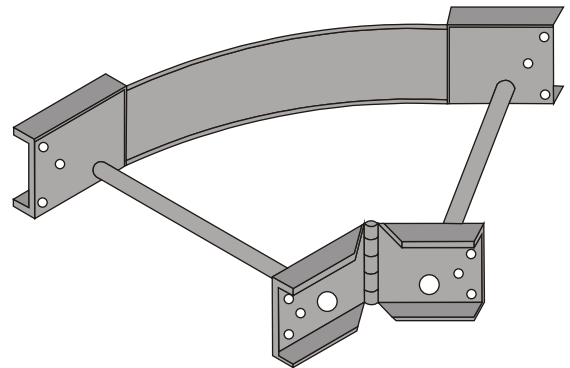


CATALOG NUMBER			
Left Hand		Right Hand	
ALUMINIUM	STEEL	ALUMINIUM	STEEL
CL/S/YBL/A/06	CL/S/YBL/S/06	CL/S/YBR/S/06	CL/S/YBR/A/06
CL/S/YBL/A/09	CL/S/YBL/S/09	CL/S/YBR/S/09	CL/S/YBR/A/09
CL/S/YBL/A/12	CL/S/YBL/S/12	CL/S/YBR/S/12	CL/S/YBR/A/12
CL/S/YBL/A/18	CL/S/YBL/S/18	CL/S/YBR/S/18	CL/S/YBR/A/18
CL/S/YBL/A/24	CL/S/YBL/S/24	CL/S/YBR/S/24	CL/S/YBR/A/24
CL/S/YBL/A/30	CL/S/YBL/S/30	CL/S/YBR/S/30	CL/S/YBR/A/30
CL/S/YBL/A/36	CL/S/YBL/S/36	CL/S/YBR/S/36	CL/S/YBR/A/36

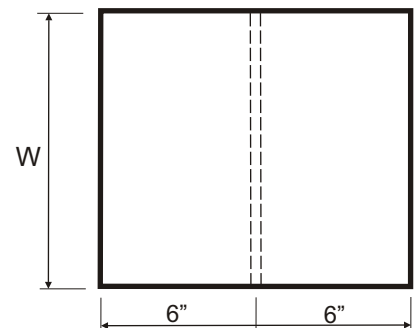
WIDTH "W"		DIMENSION					
		L		A		B	
inch	mm	inch	mm	inch	mm	inch	mm
6"	152	22.5"	571	11 1/8"	283	16 1/4"	413
9"	229	26.3/4"	679	13 3/4"	349	21 3/8"	543
12"	305	31"	787	16 1/4"	412	26 1/2"	673
18"	457	39.5"	1003	21 3/8"	543	36 3/4"	933
24"	610	48"	1219	26 1/2"	673	47"	1193
30"	762	56.3/8"	1432	31 5/8"	803	57 1/4"	1454
36"	914	65"	1651	36 3/4"	933	67 1/2"	1714

CATALOG #: CL/S/YB

ADJUSTABLE ELBOW



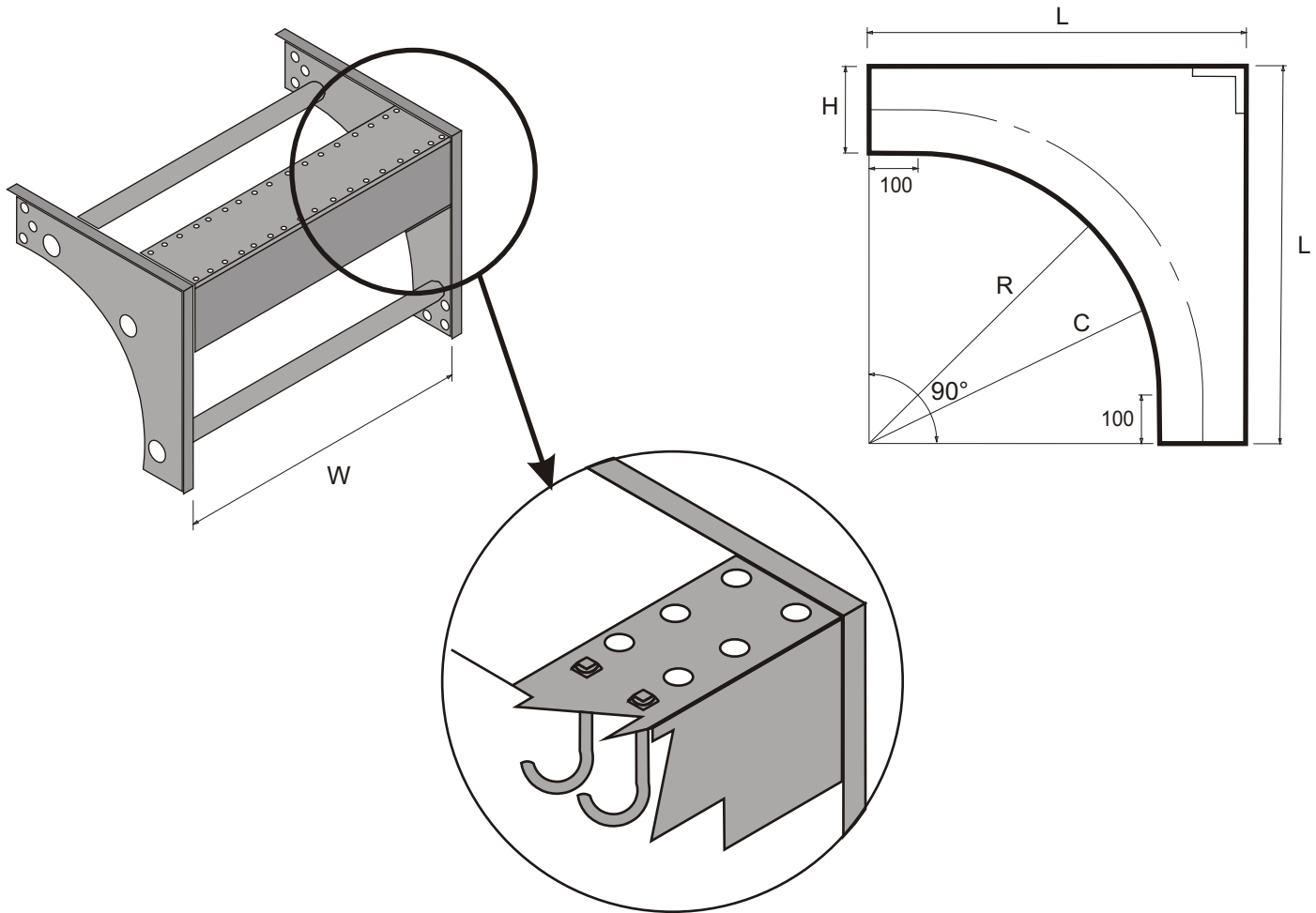
CATALOG NUMBER		DIMENSIONS	
		W	
ALUMINIUM	STEEL	inch	mm
CL/S/AE/A/06	CL/S/AE/S/06	6"	152
CL/S/AE/A/09	CL/S/AE/S/09	9"	229
CL/S/AE/A/12	CL/S/AE/S/12	12"	305
CL/S/AE/A/18	CL/S/AE/S/18	18"	457
CL/S/AE/A/24	CL/S/AE/S/24	24"	610
CL/S/AE/A/30	CL/S/AE/S/30	30"	762
CL/S/AE/A/36	CL/S/AE/S/36	36"	914



CATALOG #: CL/S/AE

ON ORDER ADD TO CATALOG #: LOAD DEPTH (3", 4", 5", 6")
: FLANGE WIDTH (13/16", 1 1/4", 1/2" 1 3/4", 2")

90° VERTICAL CABLE SUPPORT ELBOW



CATALOG # : CL/S/VCSE90°

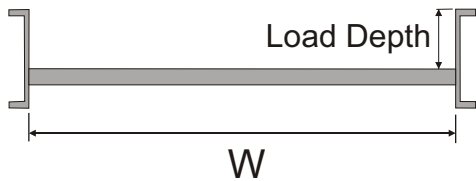
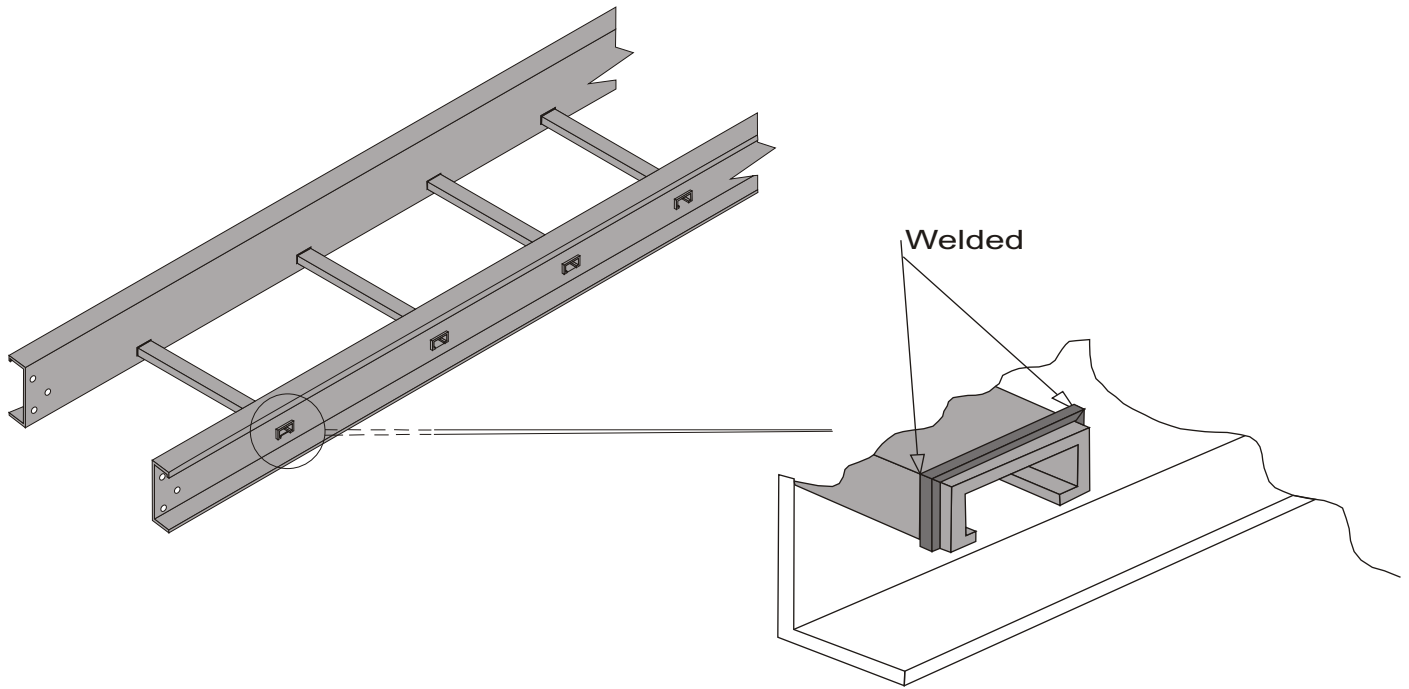
CATALOG NUMBER		L		C		RADIUS "R"		HEIGHT "W"	
ALUMINIUM	STEEL	inch	mm	inch	mm	inch	mm	inch	mm
CL/S/VCSE90°/A128	CL/S/VCSE90°/S128	16 1/4"	407	14 1/8"	356	12"	305	4 1/4"	108
CL/S/VCSE90°/A248	CL/S/VCSE90°/S248	28 1/4"	711	26 1/8"	660	24"	610	4 1/4"	108
CL/S/VCSE90°/A368	CL/S/VCSE90°/S368	40 1/4"	1016	38 1/8"	965	36"	914	4 1/4"	108
CL/S/VCSE90°/A123	CL/S/VCSE90°/S123	17 1/4"	432	14 5/8"	356	12"	305	5 1/4"	133
CL/S/VCSE90°/A243	CL/S/VCSE90°/S243	29 1/4"	737	26 5/8"	661	24"	610	5 1/4"	133
CL/S/VCSE90°/A363	CL/S/VCSE90°/S363	31 1/4"	788	39 5/8"	966	36"	914	5 1/4"	133
CL/S/VCSE90°/A129	CL/S/VCSE90°/S129	18 1/4"	457	15 1/8"	381	12"	305	6 1/4"	159
CL/S/VCSE90°/A249	CL/S/VCSE90°/S249	30 1/4"	762	27 1/8"	686	24"	610	6 1/4"	159
CL/S/VCSE90°/A369	CL/S/VCSE90°/S369	42 1/4"	1067	39 1/8"	991	36"	914	6 1/4"	159
CL/S/VCSE90°/A124	CL/S/VCSE90°/S124	19 1/4"	483	15 5/8"	382	12"	305	7 1/4"	184
CL/S/VCSE90°/A244	CL/S/VCSE90°/S244	31 1/4"	788	27 5/8"	686	24"	610	7 1/4"	184
CL/S/VCSE90°/A364	CL/S/VCSE90°/S364	33 1/4"	838	39 5/8"	981	36"	914	7 1/4"	184

ON ORDER ADD TO CATALOG #: LOAD DEPTH (3", 4", 5", 6")

: FLANGE WIDTH (13/16", 1 1/4", 1 1/2", 1 3/4", 2")

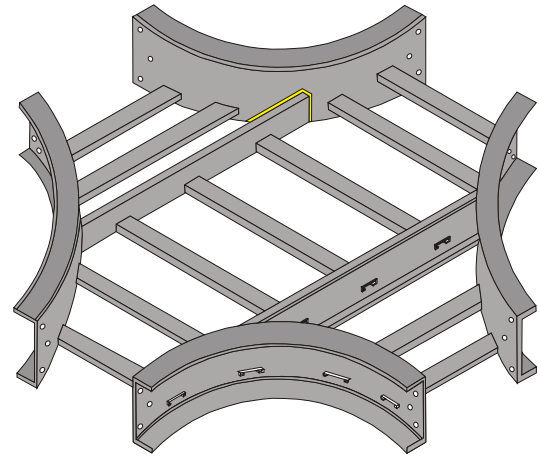
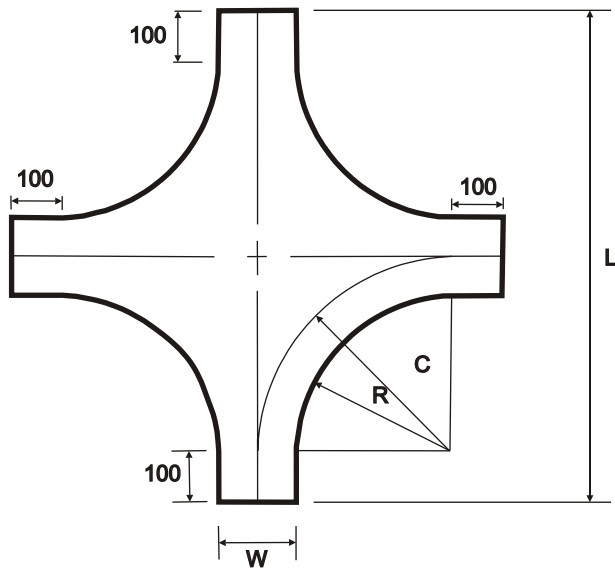
NOTE: ANGLE SUPPORT WELDED TO SIDE MEMBER.

STRAIGHT LADDER



- Materials : Hot Rolled mild Steel (JIS G 101 Ss400)
Stainless Steel (SUS304, SUS 316)Galvanized Iron Steel.
- Welding : Arc., Co2 welding
- Standard Length : 3.0M - Max 6M
- Surface treatment : Hot Dip galvanized after fabrication & polyester coated
Are available as per customers request.
- Features : It's good to use in the narrow space.

HORIZONTAL CROSS



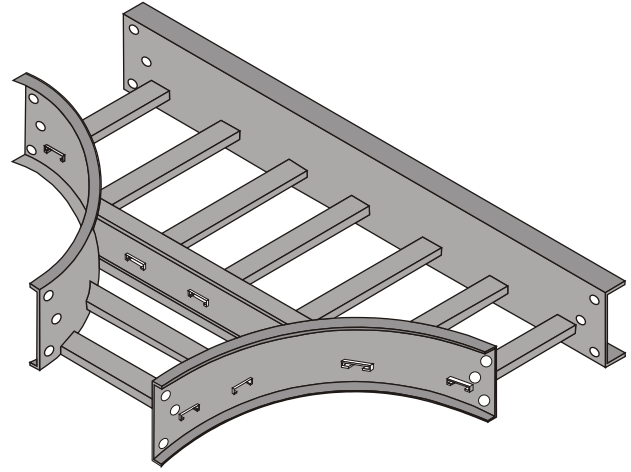
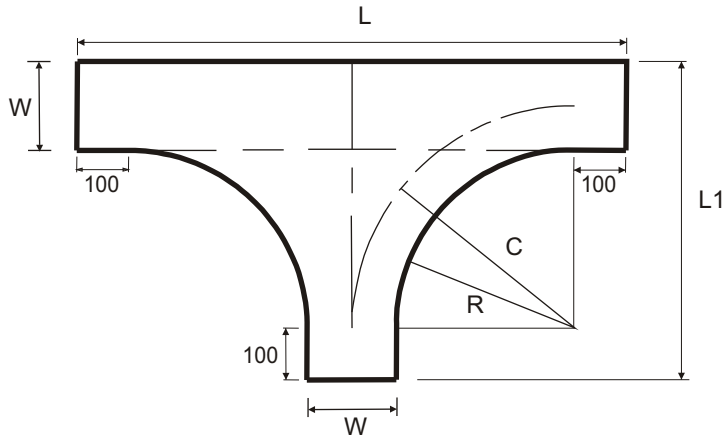
CATALOG #: CL/W/HC

CATALOG NUMBER		DIMENSIONS				RADIUS "R"		WIDTH "W"	
		L		C					
ALUMINIUM	STEEL	inch	mm	inch	mm	inch	mm	inch	mm
CL/W/HCA/1206	CL/W/HCS/1206	30"	762	15"	381	12"	305	6"	152
CL/W/HCA/1209	CL/W/HCS/1209	33"	838	16.5"	419	12"	305	9"	229
CL/W/HCA/1212	CL/W/HCS/1212	36"	914	18"	457	12"	305	12"	305
CL/W/HCA/1218	CL/W/HCS/1218	42"	1667	21"	533	12"	305	18"	457
CL/W/HCA/1224	CL/W/HCS/1224	48"	1219	24"	610	12"	305	24"	610
CL/W/HCA/1230	CL/W/HCS/1230	54"	1372	27"	686	12"	305	30"	762
CL/W/HCA/1236	CL/W/HCS/1236	60"	1524	30"	762	12"	305	36"	914
CL/W/HCA/2406	CL/W/HCS/2406	54"	1372	27"	686	24"	610	6"	152
CL/W/HCA/2409	CL/W/HCS/2409	57"	1448	28.5"	724	24"	610	9"	229
CL/W/HCA/2412	CL/W/HCS/2412	60"	1524	30"	762	24"	610	12"	605
CL/W/HCA/2418	CL/W/HCS/2418	66"	1676	33"	838	24"	610	18"	457
CL/W/HCA/2424	CL/W/HCS/2424	72"	1829	36"	914	24"	610	24"	610
CL/W/HCA/2430	CL/W/HCS/2430	78"	1981	39"	991	24"	610	30"	762
CL/W/HCA/2436	CL/W/HCS/2436	84"	2157	42"	1067	24"	610	36"	914
CL/W/HCA/3606	CL/W/HCS/3606	78"	1981	39"	991	36"	914	6"	152
CL/W/HCA/3609	CL/W/HCS/3609	81"	2057	40.5"	1029	36"	914	9"	229
CL/W/HCA/3612	CL/W/HCS/3612	84"	2137	42"	1067	36"	914	12"	305
CL/W/HCA/3618	CL/W/HCS/3618	90"	2286	45"	1143	36"	914	18"	457
CL/W/HCA/3624	CL/W/HCS/3624	106"	2692	48"	1219	36"	914	24"	610
CL/W/HCA/3630	CL/W/HCS/3630	102"	2591	51"	1295	36"	914	30"	762
CL/W/HCA/3636	CL/W/HCS/3636	108"	2743	54"	1372	36"	914	36"	914

ON ORDER ADD TO CATALOG #: LOAD DEPTH (3", 4", 5", 6")

: FLANGE WIDTH (13/16", 1 1/4", 1 1/2", 1 3/4", 2")

HORIZONTAL TEE



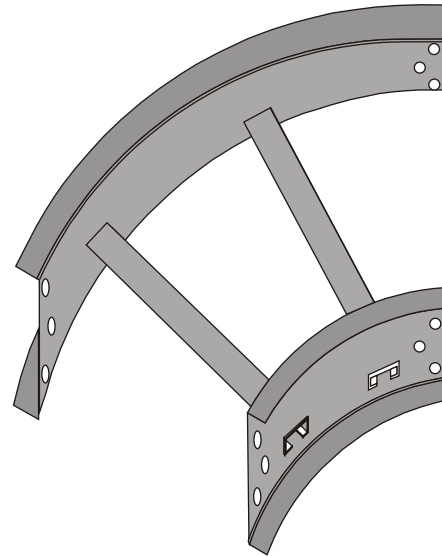
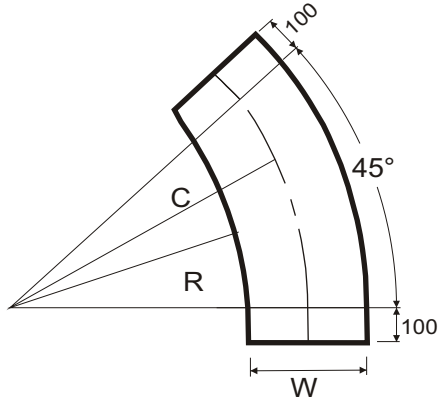
CATALOG #: CL/W/HT

CATALOG NUMBER		DIMENSIONS						RADIUS "R"		WIDTH "W"	
		L		L1		C					
ALUMINIUM	STEEL	inch	mm	inch	mm	inch	mm	inch	mm	inch	mm
CL/W/HTA/1206	CL/W/HTS/1206	30"	762	18	457	15"	381	12"	305	6"	152
CL/W/HTA/1209	CL/W/HTS/1209	33"	838	21	533	16.5"	419	12"	305	9"	229
CL/W/HTA/1212	CL/W/HTS/1212	36"	914	24	610	18"	457	12"	305	12"	305
CL/W/HTA/1218	CL/W/HTS/1218	42"	1667	30	762	21"	533	12"	305	18"	457
CL/W/HTA/1224	CL/W/HTS/1224	48"	1219	36	914	24"	610	12"	305	24"	610
CL/W/HTA/1230	CL/W/HTS/1230	54"	1372	42	1067	27"	686	12"	305	30"	762
CL/W/HTA/1236	CL/W/HTS/1236	60"	1524	48	1219	30"	762	12"	305	36"	914
CL/W/HTA/2406	CL/W/HTS/2406	54"	1372	30	762	27"	686	24"	610	6"	152
CL/W/HTA/2409	CL/W/HTS/2409	57"	1448	33	838	28.5"	724	24"	610	9"	229
CL/W/HTA/2412	CL/W/HTS/2412	60"	1524	36	914	30"	762	24"	610	12"	305
CL/W/HTA/2418	CL/W/HTS/2418	66"	1676	42	1067	33"	838	24"	610	18"	457
CL/W/HTA/2424	CL/W/HTS/2424	72"	1829	48	1219	36"	914	24"	610	24"	610
CL/W/HTA/2430	CL/W/HTS/2430	78"	1981	54	1372	39"	991	24"	610	30"	762
CL/W/HTA/2436	CL/W/HTS/2436	84"	2157	60	1524	42"	1067	24"	610	36"	914
CL/W/HTA/3606	CL/W/HTS/3606	78"	1981	42	1067	39"	991	36"	914	6"	152
CL/W/HTA/3609	CL/W/HTS/3609	81"	2057	45	1143	40.5"	1029	36"	914	9"	229
CL/W/HTA/3612	CL/W/HTS/3612	84"	2137	48	1219	42"	1067	36"	914	12"	305
CL/W/HTA/3618	CL/W/HTS/3618	90"	2286	54	1372	45"	1143	36"	914	18"	457
CL/W/HTA/3624	CL/W/HTS/3624	106"	2692	60	1524	48"	1219	36"	914	24"	610
CL/W/HTA/3630	CL/W/HTS/3630	102"	2591	66	1676	51"	1295	36"	914	30"	762
CL/W/HTA/3636	CL/W/HTS/3636	108"	2743	72	1829	54"	1372	36"	914	36"	914

ON ORDER ADD TO CATALOG #: LOAD DEPTH (3", 4", 5", 6")

: FLANGE WIDTH (13/16", 1 1/4", 1 1/2", 1 3/4", 2")

45° HORIZONTAL ELBOW



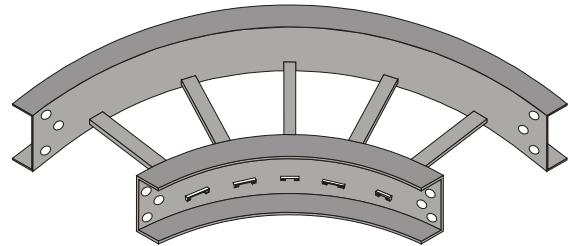
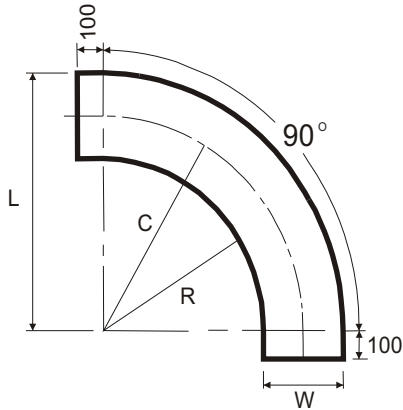
CATALOG #: CL/W/HE45°

CATALOG NUMBER		DIMENSIONS		RADIUS "R"		WIDTH "W"	
		C					
ALUMINIUM	STEEL	inch	mm	inch	mm	inch	mm
CL/W/HE45A°/1206	CL/W/HE45°S/1206	15"	381	12"	305	6"	152
CL/W/HE45A°/1209	CL/W/HE45°S/1209	16.5"	419	12"	305	9"	229
CL/W/HE45A°/1212	CL/W/HE45°S/1212	18"	457	12"	305	12"	305
CL/W/HE45A°/1218	CL/W/HE45°S/1218	21"	533	12"	305	18"	457
CL/W/HE45A°/1224	CL/W/HE45°S/1224	24"	610	12"	305	24"	610
CL/W/HE45A°/1230	CL/W/HE45°S/1230	27"	686	12"	305	30"	762
CL/W/HE45A°/1236	CL/W/HE45°S/1236	30"	762	12"	305	36"	914
CL/W/HE45A°/2406	CL/W/HE45°S/2406	27"	686	24"	610	6"	152
CL/W/HE45A°/2409	CL/W/HE45°S/2409	28.5"	724	24"	610	9"	229
CL/W/HE45A°/2412	CL/W/HE45°S/2412	30"	762	24"	610	12"	305
CL/W/HE45A°/2418	CL/W/HE45°S/2418	33"	838	24"	610	18"	457
CL/W/HE45A°/2424	CL/W/HE45°S/2424	36"	914	24"	610	24"	610
CL/W/HE45A°/2430	CL/W/HE45°S/2430	39"	991	24"	610	30"	762
CL/W/HE45A°/2436	CL/W/HE45°S/2436	42"	1067	24"	610	36"	914
CL/W/HE45A°/3606	CL/W/HE45°S/3606	39"	991	36"	914	6"	152
CL/W/HE45A°/3609	CL/W/HE45°S/3609	40.5"	1029	36"	914	9"	229
CL/W/HE45A°/3612	CL/W/HE45°S/3612	42"	1067	36"	914	12"	305
CL/W/HE45A°/3618	CL/W/HE45°S/3618	45"	1143	36"	914	18"	457
CL/W/HE45A°/3624	CL/W/HE45°S/3624	48"	1219	36"	914	24"	610
CL/W/HE45A°/3630	CL/W/HE45°S/3630	51"	1295	36"	914	30"	762
CL/W/HE45A°/3636	CL/W/HE45°S/3636	54"	1372	36"	914	36"	914

ON ORDER ADD TO CATALOG #: LOAD DEPTH (3", 4", 5", 6")

: FLANGE WIDTH (13/16", 1 1/4", 1 1/2", 1 3/4", 2")

90° HORIZONTAL ELBOW



CATALOG #: CL/W/HE90°

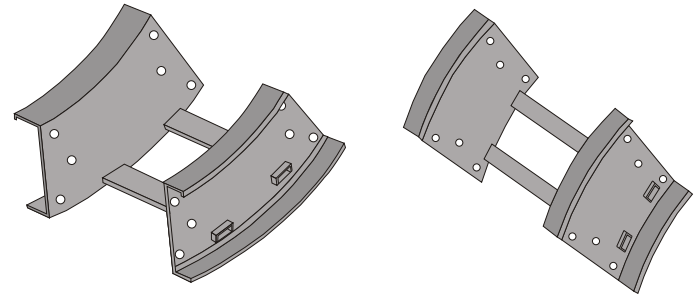
CATALOG NUMBER		DIMENSIONS				RADIUS "R"		WIDTH "W"	
		L		C		inch	mm	inch	mm
ALUMINIUM	STEEL	inch	mm	inch	mm	inch	mm	inch	mm
CL/W/HE90°A/1206	CL/W/HE90°S/1206	18"	457	15"	381	12"	305	6"	152
CL/W/HE90°A/1209	CL/W/HE90°S/1209	21"	533	16.5"	419	12"	305	9"	229
CL/W/HE90°A/1212	CL/W/HE90°S/1212	24"	610	18"	457	12"	305	12"	305
CL/W/HE90°A/1218	CL/W/HE90°S/1218	30"	762	21"	533	12"	305	18"	457
CL/W/HE90°A/1224	CL/W/HE90°S/1224	36"	914	24"	610	12"	305	24"	610
CL/W/HE90°A/1230	CL/W/HE90°S/1230	42"	1067	27"	686	12"	305	30"	762
CL/W/HE90°A/1236	CL/W/HE90°S/1236	48"	1219	30"	762	12"	305	36"	914
CL/W/HE90°A/2406	CL/W/HE90°S/2406	30"	762	27"	686	24"	610	6"	152
CL/W/HE90°A/2409	CL/W/HE90°S/2409	33"	838	28.5"	724	24"	610	9"	229
CL/W/HE90°A/2412	CL/W/HE90°S/2412	36"	914	30"	762	24"	610	12"	605
CL/W/HE90°A/2418	CL/W/HE90°S/2418	42"	1067	33"	838	24"	610	18"	457
CL/W/HE90°A/2424	CL/W/HE90°S/2424	48"	1219	36"	914	24"	610	24"	610
CL/W/HE90°A/2430	CL/W/HE90°S/2430	54"	1372	39"	991	24"	610	30"	762
CL/W/HE90°A/2436	CL/W/HE90°S/2436	60"	1524	42"	1067	24"	610	36"	914
CL/W/HE90°A/3606	CL/W/HE90°S/3606	42"	1067	39"	991	36"	914	6"	152
CL/W/HE90°A/3609	CL/W/HE90°S/3609	45"	1143	40.5"	1029	36"	914	9"	229
CL/W/HE90°A/3612	CL/W/HE90°S/3612	48"	1219	42"	1067	36"	914	12"	305
CL/W/HE90°A/3618	CL/W/HE90°S/3618	48"	1219	45"	1143	36"	914	18"	457
CL/W/HE90°A/3624	CL/W/HE90°S/3624	54"	1372	48"	1219	36"	914	24"	610
CL/W/HE90°A/3630	CL/W/HE90°S/3630	60"	1524	51"	1295	36"	914	30"	762
CL/W/HE90°A/3636	CL/W/HE90°S/3636	66"	1676	54"	1372	36"	914	36"	914
		72"	1829						

ON ORDER ADD TO CATALOG #: LOAD DEPTH (3", 4", 5", 6")

: FLANGE WIDTH (13/16", 1 1/4", 1/2" 1 3/4", 2")

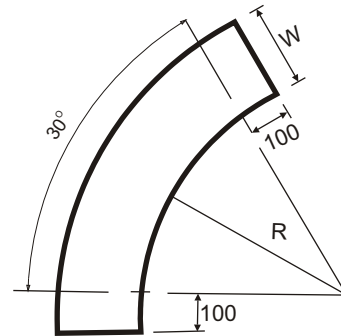
30° VERTICAL ELBOW

RADIUS "R"		WIDTH "W"	
inch	mm	inch	mm
12"	305	6"	152
12"	305	9"	229
12"	305	12"	305
12"	305	18"	457
12"	305	24"	610
12"	305	30"	762
12"	305	36"	914
24"	610	6"	152
24"	610	9"	229
24"	610	12"	305
24"	610	18"	457
24"	610	24"	610
24"	610	30"	762
24"	610	36"	914
36"	914	6"	152
36"	914	9"	229
36"	914	12"	305
36"	914	18"	457
36"	914	24"	610
36"	914	30"	762
36"	914	36"	914



INSIDE

OUTSIDE



CATALOG #: CL/W/VE30°

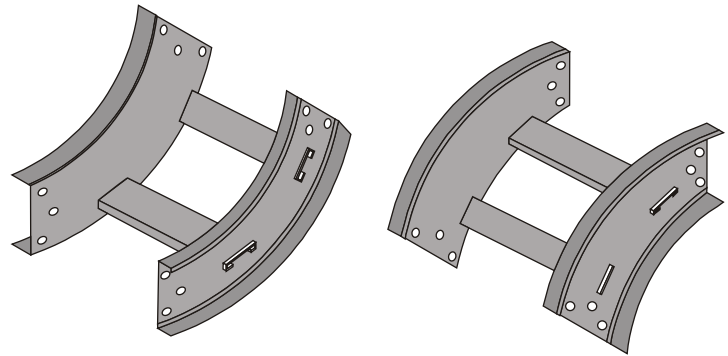
CATALOG NUMBER			
INSIDE		OUTSIDE	
ALUMINIUM	STEEL	ALUMINIUM	STEEL
CL/W/VEI30°A/1206	CL/W/VEI30°S/1206	CL/W/VEO30°A/1206	CL/W/VEO30°S/1206
CL/W/VEI30°A/1209	CL/W/VEI30°S/1209	CL/W/VEO30°A/1209	CL/W/VEO30°S/1209
CL/W/VEI30°A/1212	CL/W/VEI30°S/1212	CL/W/VEO30°A/1212	CL/W/VEO30°S/1212
CL/W/VEI30°A/1218	CL/W/VEI30°S/1218	CL/W/VEO30°A/1218	CL/W/VEO30°S/1218
CL/W/VEI30°A/1224	CL/W/VEI30°S/1224	CL/W/VEO30°A/1224	CL/W/VEO30°S/1224
CL/W/VEI30°A/1230	CL/W/VEI30°S/1230	CL/W/VEO30°A/1230	CL/W/VEO30°S/1230
CL/W/VEI30°A/1236	CL/W/VEI30°S/1236	CL/W/VEO30°A/1236	CL/W/VEO30°S/1236
CL/W/VEI30°A/2406	CL/W/VEI30°S/2406	CL/W/VEO30°A/2406	CL/W/VEO30°S/2406
CL/W/VEI30°A/2409	CL/W/VEI30°S/2409	CL/W/VEO30°A/2409	CL/W/VEO30°S/2409
CL/W/VEI30°A/2412	CL/W/VEI30°S/2412	CL/W/VEO30°A/2412	CL/W/VEO30°S/2412
CL/W/VEI30°A/2418	CL/W/VEI30°S/2418	CL/W/VEO30°A/2418	CL/W/VEO30°S/2418
CL/W/VEI30°A/2424	CL/W/VEI30°S/2424	CL/W/VEO30°A/2424	CL/W/VEO30°S/2424
CL/W/VEI30°A/2430	CL/W/VEI30°S/2430	CL/W/VEO30°A/2430	CL/W/VEO30°S/2430
CL/W/VEI30°A/2436	CL/W/VEI30°S/2436	CL/W/VEO30°A/2436	CL/W/VEO30°S/2436
CL/W/VEI30°A/3606	CL/W/VEI30°S/3606	CL/W/VEO30°A/3606	CL/W/VEO30°S/3606
CL/W/VEI30°A/3609	CL/W/VEI30°S/3609	CL/W/VEO30°A/3609	CL/W/VEO30°S/3609
CL/W/VEI30°A/3612	CL/W/VEI30°S/3612	CL/W/VEO30°A/3612	CL/W/VEO30°S/3612
CL/W/VEI30°A/3618	CL/W/VEI30°S/3618	CL/W/VEO30°A/3618	CL/W/VEO30°S/3618
CL/W/VEI30°A/3624	CL/W/VEI30°S/3624	CL/W/VEO30°A/3624	CL/W/VEO30°S/3624
CL/W/VEI30°A/3630	CL/W/VEI30°S/3630	CL/W/VEO30°A/3630	CL/W/VEO30°S/3630
CL/W/VEI30°A/3636	CL/W/VEI30°S/3636	CL/W/VEO30°A/3636	CL/W/VEO30°S/3636

ON ORDER ADD TO CATALOG #: LOAD DEPTH (3", 4", 5", 6")

: FLANGE WIDTH (13/16", 1 1/4", 1 1/2", 1 3/4", 2")

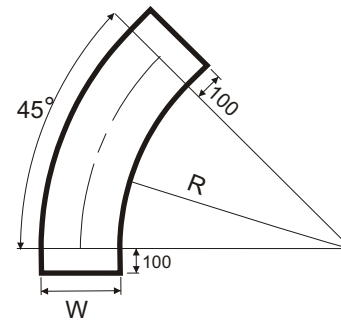
45° VERTICAL ELBOW

RADIUS "R"		WIDTH "W"	
inch	mm	inch	mm
12"	305	6"	152
12"	305	9"	229
12"	305	12"	305
12"	305	18"	457
12"	305	24"	610
12"	305	30"	762
12"	305	36"	914
24"	610	6"	152
24"	610	9"	229
24"	610	12"	305
24"	610	18"	457
24"	610	24"	610
24"	610	30"	762
24"	610	36"	914
36"	914	6"	152
36"	914	9"	229
36"	914	12"	305
36"	914	18"	457
36"	914	24"	610
36"	914	30"	762
36"	914	36"	914



INSIDE

OUTSIDE



CATALOG #: CL/W/VE45°

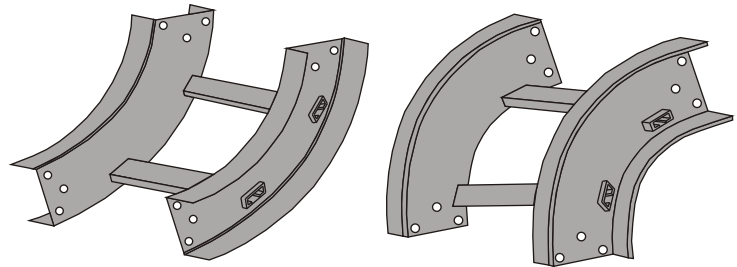
CATALOG NUMBER			
INSIDE		OUTSIDE	
ALUMINIUM	STEEL	ALUMINIUM	STEEL
CL/W/VEI45°A/1206	CL/W/VEI45°S/1206	CL/W/VEO45°A/1206	CL/W/VEO45°S/1206
CL/W/VEI45°A/1209	CL/W/VEI45°S/1209	CL/W/VEO45°A/1209	CL/W/VEO45°S/1209
CL/W/VEI45°A/1212	CL/W/VEI45°S/1212	CL/W/VEO45°A/1212	CL/W/VEO45°S/1212
CL/W/VEI45°A/1218	CL/W/VEI45°S/1218	CL/W/VEO45°A/1218	CL/W/VEO45°S/1218
CL/W/VEI45°A/1224	CL/W/VEI45°S/1224	CL/W/VEO45°A/1224	CL/W/VEO45°S/1224
CL/W/VEI45°A/1230	CL/W/VEI45°S/1230	CL/W/VEO45°A/1230	CL/W/VEO45°S/1230
CL/W/VEI45°A/1236	CL/W/VEI45°S/1236	CL/W/VEO45°A/1236	CL/W/VEO45°S/1236
CL/W/VEI45°A/2406	CL/W/VEI45°S/2406	CL/W/VEO45°A/2406	CL/W/VEO45°S/2406
CL/W/VEI45°A/2409	CL/W/VEI45°S/2409	CL/W/VEO45°A/2409	CL/W/VEO45°S/2409
CL/W/VEI45°A/2412	CL/W/VEI45°S/2412	CL/W/VEO45°A/2412	CL/W/VEO45°S/2412
CL/W/VEI45°A/2418	CL/W/VEI45°S/2418	CL/W/VEO45°A/2418	CL/W/VEO45°S/2418
CL/W/VEI45°A/2424	CL/W/VEI45°S/2424	CL/W/VEO45°A/2424	CL/W/VEO45°S/2424
CL/W/VEI45°A/2430	CL/W/VEI45°S/2430	CL/W/VEO45°A/2430	CL/W/VEO45°S/2430
CL/W/VEI45°A/2436	CL/W/VEI45°S/2436	CL/W/VEO45°A/2436	CL/W/VEO45°S/2436
CL/W/VEI45°A/3606	CL/W/VEI45°S/3606	CL/W/VEO45°A/3606	CL/W/VEO45°S/3606
CL/W/VEI45°A/3609	CL/W/VEI45°S/3609	CL/W/VEO45°A/3609	CL/W/VEO45°S/3609
CL/W/VEI45°A/3612	CL/W/VEI45°S/3612	CL/W/VEO45°A/3612	CL/W/VEO45°S/3612
CL/W/VEI45°A/3618	CL/W/VEI45°S/3618	CL/W/VEO45°A/3618	CL/W/VEO45°S/3618
CL/W/VEI45°A/3624	CL/W/VEI45°S/3624	CL/W/VEO45°A/3624	CL/W/VEO45°S/3624
CL/W/VEI45°A/3630	CL/W/VEI45°S/3630	CL/W/VEO45°A/3630	CL/W/VEO45°S/3630
CL/W/VEI45°A/3636	CL/W/VEI45°S/3636	CL/W/VEO45°A/3636	CL/W/VEO45°S/3636

ON ORDER ADD TO CATALOG #: LOAD DEPTH (3", 4", 5", 6")

: FLANGE WIDTH (13/16", 1 1/4", 1 1/2", 1 3/4", 2")

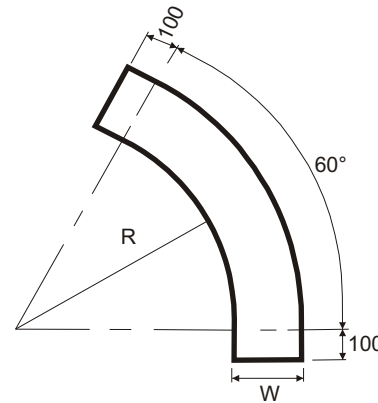
60° VERTICAL ELBOW

RADIUS "R"		WIDTH "W"	
inch	mm	inch	mm
12"	305	6"	152
12"	305	9"	229
12"	305	12"	305
12"	305	18"	457
12"	305	24"	610
12"	305	30"	762
12"	305	36"	914
24"	610	6"	152
24"	610	9"	229
24"	610	12"	605
24"	610	18"	457
24"	610	24"	610
24"	610	30"	762
24"	610	36"	914
36"	914	6"	152
36"	914	9"	229
36"	914	12"	305
36"	914	18"	457
36"	914	24"	610
36"	914	30"	762
36"	914	36"	914



INSIDE

OUTSIDE



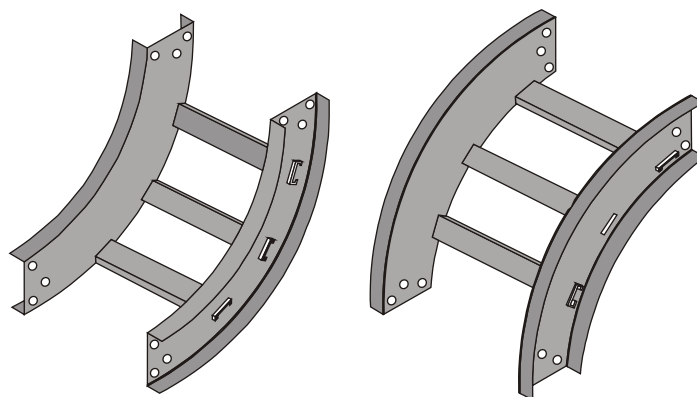
CATALOG #: CL/W/VE60°

CATALOG NUMBER			
INSIDE		OUTSIDE	
ALUMINIUM	STEEL	ALUMINIUM	STEEL
CL/W/VEI60°A/1206	CL/W/VEI60°S/1206	CL/W/VEO60°A/1206	CL/W/VEO60°S/1206
CL/W/VEI60°A/1209	CL/W/VEI60°S/1209	CL/W/VEO60°A/1209	CL/W/VEO60°S/1209
CL/W/VEI60°A/1212	CL/W/VEI60°S/1212	CL/W/VEO60°A/1212	CL/W/VEO60°S/1212
CL/W/VEI60°A/1218	CL/W/VEI60°S/1218	CL/W/VEO60°A/1218	CL/W/VEO60°S/1218
CL/W/VEI60°A/1224	CL/W/VEI60°S/1224	CL/W/VEO60°A/1224	CL/W/VEO60°S/1224
CL/W/VEI60°A/1230	CL/W/VEI60°S/1230	CL/W/VEO60°A/1230	CL/W/VEO60°S/1230
CL/W/VEI60°A/1236	CL/W/VEI60°S/1236	CL/W/VEO60°A/1236	CL/W/VEO60°S/1236
CL/W/VEI60°A/2406	CL/W/VEI60°S/2406	CL/W/VEO60°A/2406	CL/W/VEO60°S/2406
CL/W/VEI60°A/2409	CL/W/VEI60°S/2409	CL/W/VEO60°A/2409	CL/W/VEO60°S/2409
CL/W/VEI60°A/2412	CL/W/VEI60°S/2412	CL/W/VEO60°A/2412	CL/W/VEO60°S/2412
CL/W/VEI60°A/2418	CL/W/VEI60°S/2418	CL/W/VEO60°A/2418	CL/W/VEO60°S/2418
CL/W/VEI60°A/2424	CL/W/VEI60°S/2424	CL/W/VEO60°A/2424	CL/W/VEO60°S/2424
CL/W/VEI60°A/2430	CL/W/VEI60°S/2430	CL/W/VEO60°A/2430	CL/W/VEO60°S/2430
CL/W/VEI60°A/2436	CL/W/VEI60°S/2436	CL/W/VEO60°A/2436	CL/W/VEO60°S/2436
CL/W/VEI60°A/3606	CL/W/VEI60°S/3606	CL/W/VEO60°A/3606	CL/W/VEO60°S/3606
CL/W/VEI60°A/3609	CL/W/VEI60°S/3609	CL/W/VEO60°A/3609	CL/W/VEO60°S/3609
CL/W/VEI60°A/3612	CL/W/VEI60°S/3612	CL/W/VEO60°A/3612	CL/W/VEO60°S/3612
CL/W/VEI60°A/3618	CL/W/VEI60°S/3618	CL/W/VEO60°A/3618	CL/W/VEO60°S/3618
CL/W/VEI60°A/3624	CL/W/VEI60°S/3624	CL/W/VEO60°A/3624	CL/W/VEO60°S/3624
CL/W/VEI60°A/3630	CL/W/VEI60°S/3630	CL/W/VEO60°A/3630	CL/W/VEO60°S/3630
CL/W/VEI60°A/3636	CL/W/VEI60°S/3636	CL/W/VEO60°A/3636	CL/W/VEO60°S/3636

ON ORDER ADD TO CATALOG #: LOAD DEPTH (3", 4", 5", 6")
: FLANGE WIDTH (13/16", 1 1/4", 1 1/2", 1 3/4", 2")

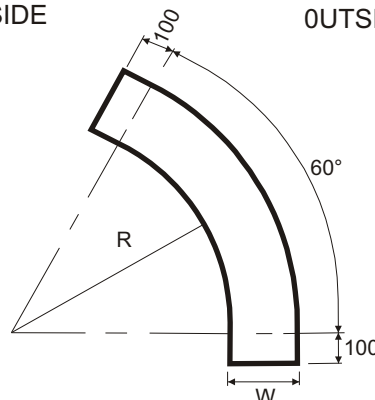
60° VERTICAL ELBOW

RADIUS "R"		WIDTH "W"	
inch	mm	inch	mm
12"	305	6"	152
12"	305	9"	229
12"	305	12"	305
12"	305	18"	457
12"	305	24"	610
12"	305	30"	762
12"	305	36"	914
24"	610	6"	152
24"	610	9"	229
24"	610	12"	305
24"	610	18"	457
24"	610	24"	610
24"	610	30"	762
24"	610	36"	914
36"	914	6"	152
36"	914	9"	229
36"	914	12"	305
36"	914	18"	457
36"	914	24"	610
36"	914	30"	762
36"	914	36"	914



INSIDE

OUTSIDE

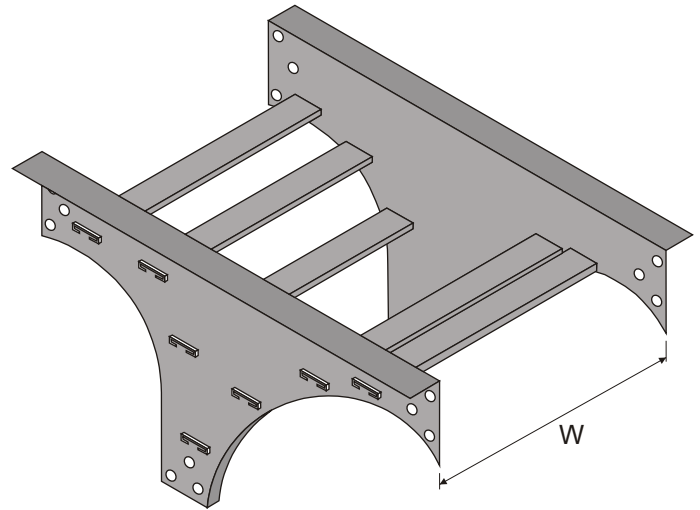
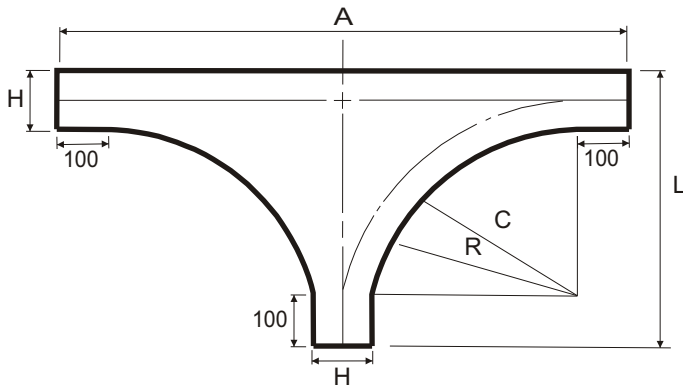


CATALOG #: CL/W/VE90°

CATALOG NUMBER			
INSIDE		OUTSIDE	
ALUMINIUM	STEEL	ALUMINIUM	STEEL
CL/W/VEI90°A/1206	CL/W/VEI90°S/1206	CL/W/VEO90°A/1206	CL/W/VEO90°S/1206
CL/W/VEI90°A/1209	CL/W/VEI90°S/1209	CL/W/VEO90°A/1209	CL/W/VEO90°S/1209
CL/W/VEI90°A/1212	CL/W/VEI90°S/1212	CL/W/VEO90°A/1212	CL/W/VEO90°S/1212
CL/W/VEI90°A/1218	CL/W/VEI90°S/1218	CL/W/VEO90°A/1218	CL/W/VEO90°S/1218
CL/W/VEI90°A/1224	CL/W/VEI90°S/1224	CL/W/VEO90°A/1224	CL/W/VEO90°S/1224
CL/W/VEI90°A/1230	CL/W/VEI90°S/1230	CL/W/VEO90°A/1230	CL/W/VEO90°S/1230
CL/W/VEI90°A/1236	CL/W/VEI90°S/1236	CL/W/VEO90°A/1236	CL/W/VEO90°S/1236
CL/W/VEI90°A/2406	CL/W/VEI90°S/2406	CL/W/VEO90°A/2406	CL/W/VEO90°S/2406
CL/W/VEI90°A/2409	CL/W/VEI90°S/2409	CL/W/VEO90°A/2409	CL/W/VEO90°S/2409
CL/W/VEI90°A/2412	CL/W/VEI90°S/2412	CL/W/VEO90°A/2412	CL/W/VEO90°S/2412
CL/W/VEI90°A/2418	CL/W/VEI90°S/2418	CL/W/VEO90°A/2418	CL/W/VEO90°S/2418
CL/W/VEI90°A/2424	CL/W/VEI90°S/2424	CL/W/VEO90°A/2424	CL/W/VEO90°S/2424
CL/W/VEI90°A/2430	CL/W/VEI90°S/2430	CL/W/VEO90°A/2430	CL/W/VEO90°S/2430
CL/W/VEI90°A/2436	CL/W/VEI90°S/2436	CL/W/VEO90°A/2436	CL/W/VEO90°S/2436
CL/W/VEI90°A/3606	CL/W/VEI90°S/3606	CL/W/VEO90°A/3606	CL/W/VEO90°S/3606
CL/W/VEI90°A/3609	CL/W/VEI90°S/3609	CL/W/VEO90°A/3609	CL/W/VEO90°S/3609
CL/W/VEI90°A/3612	CL/W/VEI90°S/3612	CL/W/VEO90°A/3612	CL/W/VEO90°S/3612
CL/W/VEI90°A/3618	CL/W/VEI90°S/3618	CL/W/VEO90°A/3618	CL/W/VEO90°S/3618
CL/W/VEI90°A/3624	CL/W/VEI90°S/3624	CL/W/VEO90°A/3624	CL/W/VEO90°S/3624
CL/W/VEI90°A/3630	CL/W/VEI90°S/3630	CL/W/VEO90°A/3630	CL/W/VEO90°S/3630
CL/W/VEI90°A/3636	CL/W/VEI90°S/3636	CL/W/VEO90°A/3636	CL/W/VEO90°S/3636

ON ORDER ADD TO CATALOG #: LOAD DEPTH (3", 4", 5", 6")
: FLANGE WIDTH (13/16", 1 1/4", 1 1/2", 1 3/4", 2")

VERTICAL TEE



CATALOG #: CL/W/VT

CATALOG NUMBER		DIMENSIONS						RADIUS "R"		HEIGHT "H"	
		L		A		C		inch	mm	inch	mm
ALUMINIUM	STEEL	inch	mm	inch	mm	Inch	mm	inch	mm	inch	mm
CL/W/VT/A/18	CL/W/VT/S/18	19.25"	489	34.25"	870	14.125"	359	12"	305	4 1/4"	108
CL/W/VT/A/28	CL/W/VT/S/28	31.25"	794	58.25"	1479	26.125"	664	24"	610	4 1/4"	108
CL/W/VT/A/38	CL/W/VT/S/38	43.25"	1098	82.25"	2089	38.125"	968	36"	914	4 1/4"	108
CL/W/VT/A/13	CL/W/VT/S/13	20.25"	514	35.25"	895	14.625"	371	12"	305	5 1/4"	133
CL/W/VT/A/23	CL/W/VT/S/23	32.35"	819	59.25"	1505	26.625"	676	24"	610	5 1/4"	133
CL/W/VT/A/33	CL/W/VT/S/33	44.25"	1124	83.25"	22114	38.625"	981	36"	914	5 1/4"	133
CL/W/VT/A/19	CL/W/VT/S/19	27"	686	36.25"	1342	30"	762	12"	305	6 1/4"	159
CL/W/VT/A/29	CL/W/VT/S/29	28.5"	7224	60.25"	1448	33"	838	24"	610	6 1/4"	159
CL/W/VT/A/39	CL/W/VT/S/39	30"	762	84.25"	1524	36"	914	36"	914	6 1/4"	159
CL/W/VT/A/14	CL/W/VT/S/14	22.25	565	37.25"	946	15.625"	397	12"	305	7 1/4"	184
CL/W/VT/A/24	CL/W/VT/S/24	34.25"	870	61.25"	1555	27.625"	702	24"	610	7 1/4"	184
CL/W/VT/A/34	CL/W/VT/S/34	46.25"	1175	85.25"	2165	39.625"	1006	36"	914	7 1/4"	184

ON ORDER ADD TO CATALOG #: LOAD DEPTH (3", 4", 5", 6")

: FLANGE WIDTH (13/16", 1 1/4", 1 1/2", 1 3/4", 2")

W= width in inches:

Use 06 for 6" w

06 for 9" w

12 for 12" w

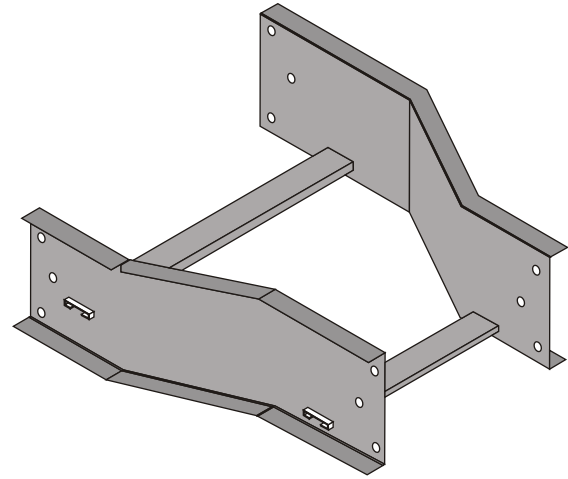
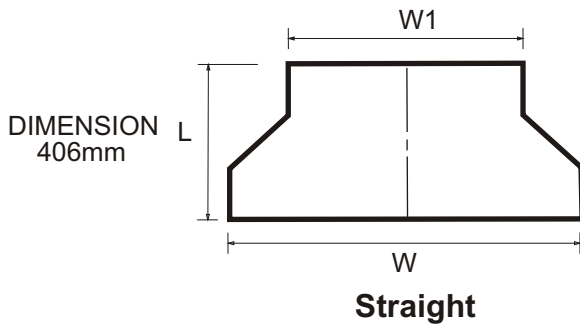
18 for 18" w

24 for 24" w

30 for 30" w

36 for 36" w

REDUCER



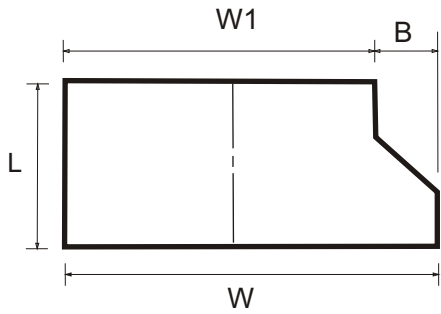
CATALOG #: CL/W/SR

CATALOG NUMBER		DIMENSIONS		WIDTH			
		B		W		W1	
ALUMINIUM	STEEL	inch	mm	inch	mm	inch	mm
CL/W/SR/A/3630	CL/W/SR/S/3630	6	152	36	914	30	762
CL/W/SR/A/3624	CL/W/SR/S/3624	12	305	36	914	24	610
CL/W/SR/A/3618	CL/W/SR/S/3618	18	457	36	914	18	457
CL/W/SR/A/3612	CL/W/SR/S/3612	24	610	36	914	12	305
CL/W/SR/A/3609	CL/W/SR/S/3609	27	686	36	914	09	229
CL/W/SR/A/3606	CL/W/SR/S/3606	30	762	36	914	06	152
CL/W/SR/A/3024	CL/W/SR/S/3024	6	152	30	762	24	610
CL/W/SR/A/3018	CL/W/SR/S/3018	12	305	30	762	18	457
CL/W/SR/A/3012	CL/W/SR/S/3012	18	457	30	762	12	305
CL/W/SR/A/3009	CL/W/SR/S/3009	21	533	30	762	09	229
CL/W/SR/A/3006	CL/W/SR/S/3006	24	610	30	762	06	152
CL/W/SR/A/2418	CL/W/SR/S/2418	6	152	24	610	18	457
CL/W/SR/A/2412	CL/W/SR/S/2412	12	305	24	610	12	305
CL/W/SR/A/2409	CL/W/SR/S/2409	15	381	24	610	09	229
CL/W/SR/A/2406	CL/W/SR/S/2406	18	457	24	610	06	152
CL/W/SR/A/1812	CL/W/SR/S/1812	6	152	18	457	12	305
CL/W/SR/A/1809	CL/W/SR/S/1809	9	229	18	457	09	229
CL/W/SR/A/1806	CL/W/SR/S/1806	12	305	18	457	06	152
CL/W/SR/A/1209	CL/W/SR/S/1209	3	76	12	305	09	229
CL/W/SR/A/1206	CL/W/SR/S/1206	6	152	12	305	06	152
CL/W/SR/A/0906	CL/W/SR/S/0906	3	76	09	229	06	152

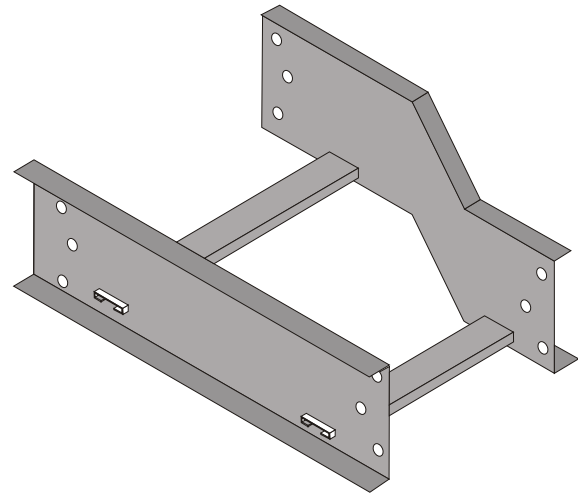
ON ORDER ADD TO CATALOG #: LOAD DEPTH (3", 4", 5", 6")

: FLANGE WIDTH (13/16", 1 1/4", 1/2" 1 3/4", 2")

REDUCER



Left Hand



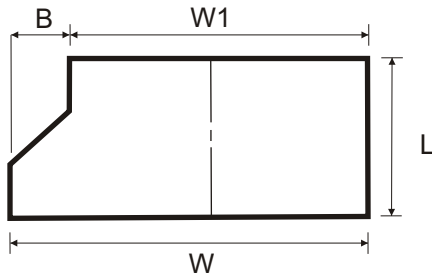
CATALOG #: CL/W/LHR

CATALOG NUMBER		DIMENSIONS		WIDTH			
		B		W		W1	
ALUMINIUM	STEEL	inch	mm	inch	mm	inch	mm
CL/W/LHR/A/3630	CL/W/LHR/S/3630	6	152	36	914	30	762
CL/W/LHR/A/3624	CL/W/LHR/S/3624	12	305	36	914	24	610
CL/W/LHR/A/3618	CL/W/LHR/S/3618	18	457	36	914	18	457
CL/W/LHR/A/3612	CL/W/LHR/S/3612	24	610	36	914	12	305
CL/W/LHR/A/3609	CL/W/LHR/S/3609	27	686	36	914	09	229
CL/W/LHR/A/3606	CL/W/LHR/S/3606	30	762	36	914	06	152
CL/W/LHR/A/3024	CL/W/LHR/S/3024	6	152	30	762	24	610
CL/W/LHR/A/3018	CL/W/LHR/S/3018	12	305	30	762	18	457
CL/W/LHR/A/3012	CL/W/LHR/S/3012	18	457	30	762	12	305
CL/W/LHR/A/3009	CL/W/LHR/S/3009	21	533	30	762	09	229
CL/W/LHR/A/3006	CL/W/LHR/S/3006	24	610	30	762	06	152
CL/W/LHR/A/2418	CL/W/LHR/S/2418	6	152	24	610	18	457
CL/W/LHR/A/2412	CL/W/LHR/S/2412	12	305	24	610	12	305
CL/W/LHR/A/2409	CL/W/LHR/S/2409	15	381	24	610	09	229
CL/W/LHR/A/2406	CL/W/LHR/S/2406	18	457	24	610	06	152
CL/W/LHR/A/1812	CL/W/LHR/S/1812	6	152	18	457	12	305
CL/W/LHR/A/1809	CL/W/LHR/S/1809	9	229	18	457	09	229
CL/W/LHR/A/1806	CL/W/LHR/S/1806	12	305	18	457	06	152
CL/W/LHR/A/1209	CL/W/LHR/S/1209	3	76	12	305	09	229
CL/W/LHR/A/1206	CL/W/LHR/S/1206	6	152	12	305	06	152
CL/W/LHR/A/0906	CL/W/LHR/S/0906	3	76	09	229	06	152

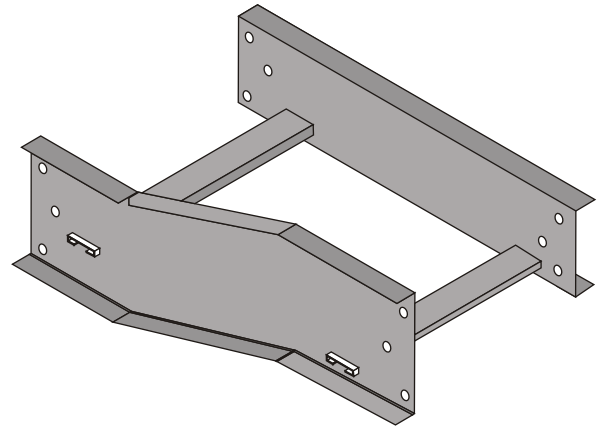
ON ORDER ADD TO CATALOG #: LOAD DEPTH (3", 4", 5", 6")

: FLANGE WIDTH (13/16", 1 1/4", 1 1/2", 1 3/4", 2")

REDUCER



Right Hand



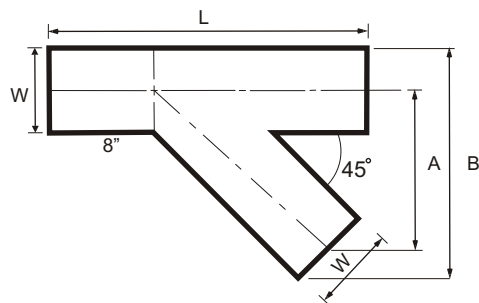
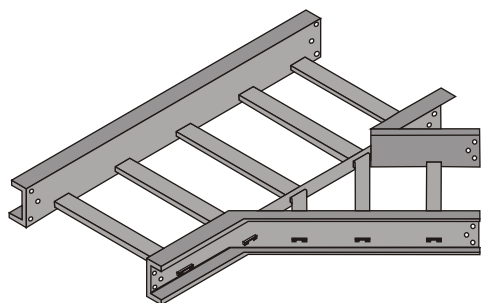
CATALOG #: CL/W/RHR

CATALOG NUMBER		DIMENSIONS		WIDTH			
		B		W		W1	
ALUMINIUM	STEEL	inch	mm	inch	mm	inch	mm
CL/W/RHR/A/3630	CL/W/RHR/S/3630	6	152	36	914	30	762
CL/W/RHR/A/3624	CL/W/RHR/S/3624	12	305	36	914	24	610
CL/W/RHR/A/3618	CL/W/RHR/S/3618	18	457	36	914	18	457
CL/W/RHR/A/3612	CL/W/RHR/S/3612	24	610	36	914	12	305
CL/W/RHR/A/3609	CL/W/RHR/S/3609	27	686	36	914	09	229
CL/W/RHR/A/3606	CL/W/RHR/S/3606	30	762	36	914	06	152
CL/W/RHR/A/3024	CL/W/RHR/S/3024	6	152	30	762	24	610
CL/W/RHR/A/3018	CL/W/RHR/S/3018	12	305	30	762	18	457
CL/W/RHR/A/3012	CL/W/RHR/S/3012	18	457	30	762	12	305
CL/W/RHR/A/3009	CL/W/RHR/S/3009	21	533	30	762	09	229
CL/W/RHR/A/3006	CL/W/RHR/S/3006	24	610	30	762	06	152
CL/W/RHR/A/2418	CL/W/RHR/S/2418	6	152	24	610	18	457
CL/W/RHR/A/2412	CL/W/RHR/S/2412	12	305	24	610	12	305
CL/W/RHR/A/2409	CL/W/RHR/S/2409	15	381	24	610	09	229
CL/W/RHR/A/2406	CL/W/RHR/S/2406	18	457	24	610	06	152
CL/W/RHR/A/1812	CL/W/RHR/S/1812	6	152	18	457	12	305
CL/W/RHR/A/1809	CL/W/RHR/S/1809	9	229	18	457	09	229
CL/W/RHR/A/1806	CL/W/RHR/S/1806	12	305	18	457	06	152
CL/W/RHR/A/1209	CL/W/RHR/S/1209	3	76	12	305	09	229
CL/W/RHR/A/1206	CL/W/RHR/S/1206	6	152	12	305	06	152
CL/W/RHR/A/0906	CL/W/RHR/S/0906	3	76	09	229*	06	152

ON ORDER ADD TO CATALOG #: LOAD DEPTH (3", 4", 5", 6")

: FLANGE WIDTH (13/16", 1 1/4", 1/2" 1 3/4", 2")

45 "Y" BRANCH



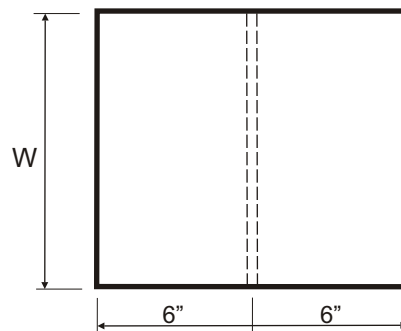
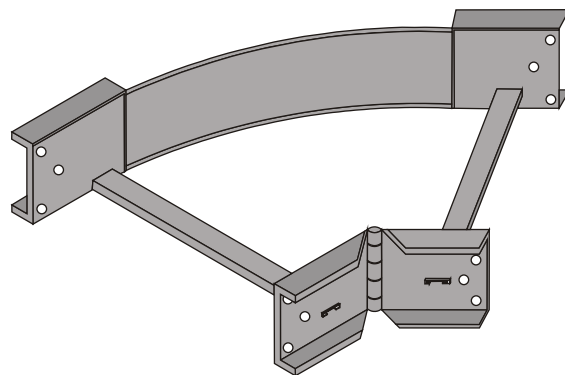
CATALOG NUMBER			
Left Hand		Right Hand	
ALUMINIUM	STEEL	ALUMINIUM	STEEL
CL/W/YBL/A/06	CL/W/YBL/S/06	CL/W/YBR/A/06	CL/W/YBR/S/06
CL/W/YBL/A/09	CL/W/YBL/S/09	CL/W/YBR/A/09	CL/W/YBR/S/09
CL/W/YBL/A/12	CL/W/YBL/S/12	CL/W/YBR/A/12	CL/W/YBR/S/12
CL/W/YBL/A/18	CL/W/YBL/S/18	CL/W/YBR/A/18	CL/W/YBR/S/18
CL/W/YBL/A/24	CL/W/YBL/S/24	CL/W/YBR/A/24	CL/W/YBR/S/24
CL/W/YBL/A/30	CL/W/YBL/S/30	CL/W/YBR/A/30	CL/W/YBR/S/30
CL/W/YBL/A/36	CL/W/YBL/S/36	CL/W/YBR/A/36	CL/W/YBR/S/36

WIDTH "W"		DIMENSION					
		L		A		B	
inch	mm	inch	mm	inch	mm	inch	mm
6"	152	22.5"	571	11 1/8"	283	16 1/4"	413
9"	229	26.3/4"	679	13 3/4"	349	21 3/8"	543
12"	305	31"	787	16 1/4"	412	26 1/2"	673
18"	457	39.5"	1003	21 3/8"	543	36 3/4"	933
24"	610	48"	1219	26 1/2"	673	47"	1193
30"	762	56.3/8"	1432	31 5/8"	803	57 1/4"	1454
36"	914	65"	1651	36 3/4"	933	67 1/2"	1714

CATALOG #: CL/W/YB

ADJUSTABLE ELBOW

CATALOG NUMBER		DIMENSIONS	
		W	
ALUMINIUM	STEEL	inch	mm
CL/W/AE/A/06	CL/W/AE/S/06	6"	152
CL/W/AE/A/09	CL/W/AE/S/09	9"	229
CL/W/AE/A/12	CL/W/AE/S/12	12"	305
CL/W/AE/A/18	CL/W/AE/S/18	18"	457
CL/W/AE/A/24	CL/W/AE/S/24	24"	610
CL/W/AE/A/30	CL/W/AE/S/30	30"	762
CL/W/AE/A/36	CL/W/AE/S/36	36"	914

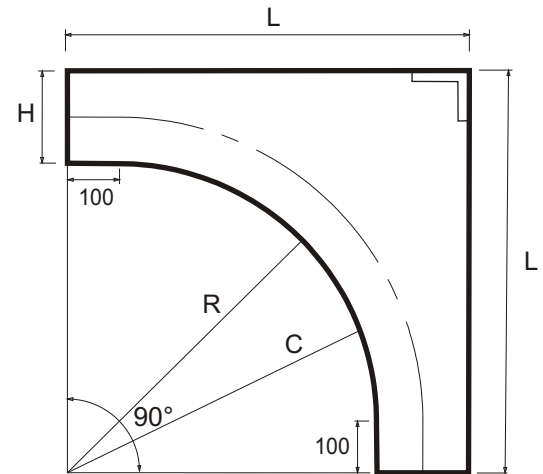
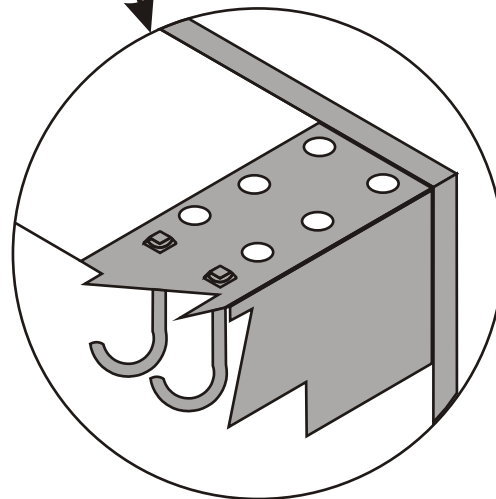
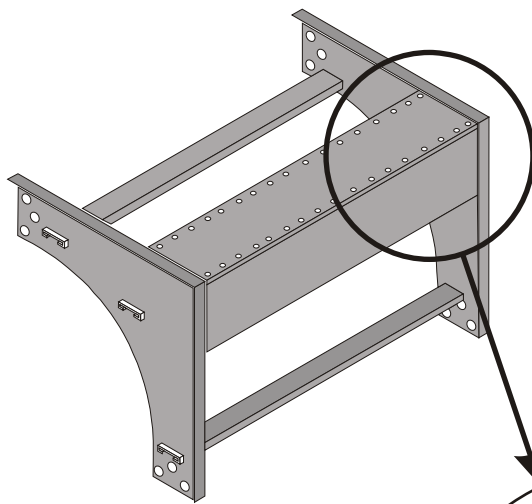


ON ORDER ADD TO CATALOG #: LOAD DEPTH (3", 4", 5", 6")

: FLANGE WIDTH (13/16", 1 1/4", 1 1/2", 1 3/4", 2")

CATALOG #: CL/W/AE

90° VERTICAL CABLE SUPPORT ELBOW



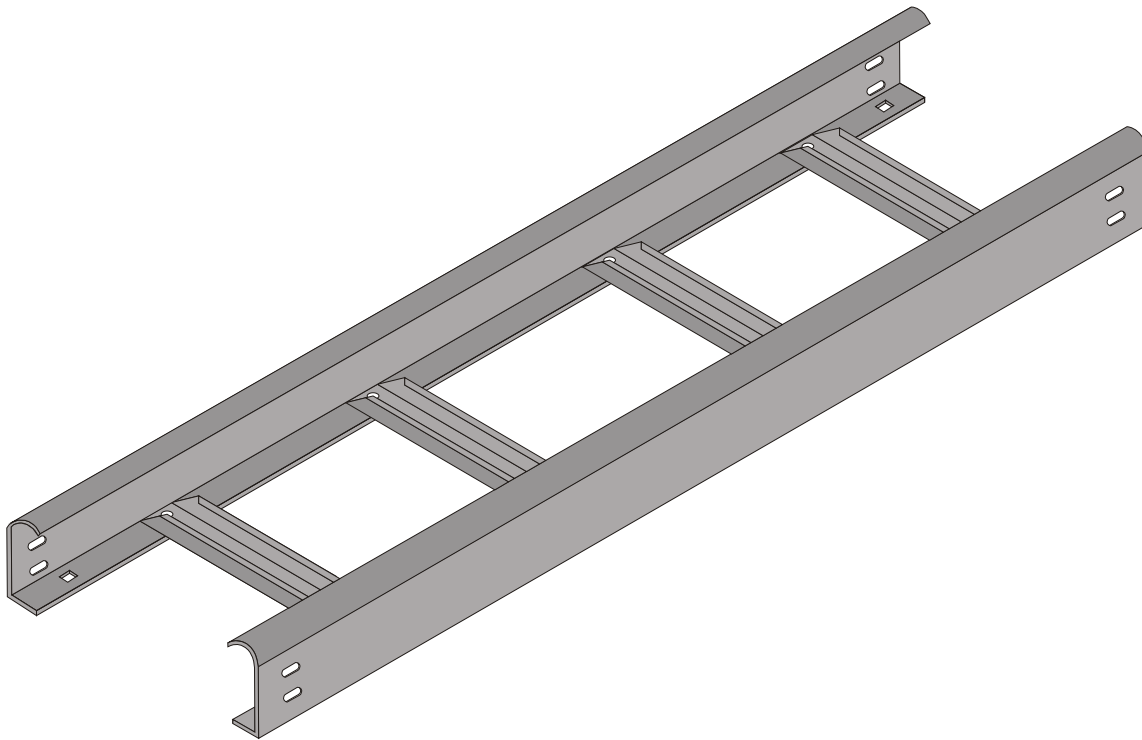
CATALOG #: CLW/VCSE90°

CATALOG NUMBER		L		C		RADIUS "R"		HEIGHT "W"	
ALUMINIUM	STEEL	inch	mm	inch	mm	inch	mm	inch	mm
CLW/VCSE90°/A128	CLW/VCSE90°/S128	16 1/4"	407	14 1/8"	356	12"	305	4 1/4"	108
CLW/VCSE90°/A248	CLW/VCSE90°/S248	28 1/4"	711	26 1/8"	660	24"	610	4 1/4"	108
CLW/VCSE90°/A368	CLW/VCSE90°/S368	40 1/4"	1016	38 1/8"	965	36"	914	4 1/4"	108
CLW/VCSE90°/A123	CLW/VCSE90°/S123	17 1/4"	432	14 5/8"	356	12"	305	5 1/4"	133
CLW/VCSE90°/A243	CLW/VCSE90°/S243	29 1/4"	737	26 5/8"	661	24"	610	5 1/4"	133
CLW/VCSE90°/A363	CLW/VCSE90°/S363	31 1/4"	788	39 5/8"	966	36"	914	5 1/4"	133
CLW/VCSE90°/A129	CLW/VCSE90°/S129	18 1/4"	457	15 1/8"	381	12"	305	6 1/4"	159
CLW/VCSE90°/A249	CLW/VCSE90°/S249	30 1/4"	762	27 1/8"	686	24"	610	6 1/4"	159
CLW/VCSE90°/A369	CLW/VCSE90°/S369	42 1/4"	1067	39 1/8"	991	36"	914	6 1/4"	159
CLW/VCSE90°/A124	CLW/VCSE90°/S124	19 1/4"	483	15 5/8"	382	12"	305	7 1/4"	184
CLW/VCSE90°/A244	CLW/VCSE90°/S244	31 1/4"	788	27 5/8"	686	24"	610	7 1/4"	184
CLW/VCSE90°/A364	CLW/VCSE90°/S364	33 1/4"	838	39 5/8"	981	36"	914	7 1/4"	184

ON ORDER ADD TO CATALOG #: LOAD DEPTH (3", 4", 5", 6")
 : FLANGE WIDTH (13/16", 1 1/4", 1 1/2", 1 3/4", 2")

NOTE: ANGLE SUPPORT WELDED TO SIDE MEMBER.

STRAIGHT LADDER



SADENCO Cable ladder Type (Rivettted) is hinged structure where C-Profile rungs fastened to side rails by galvanized steel rivets allowing longitudinal folding of the straight assembly and maintaining rigidity of installation.

SADENCO Cable Ladder Type (Rivettted) offers the following customers benefits

- * Easy for stocking
- * Easy handling, simple and past installation
- * Provides high load capacity
- * Light weight resulting in economical system
- * Meets German standard requirement (IEC 61537)

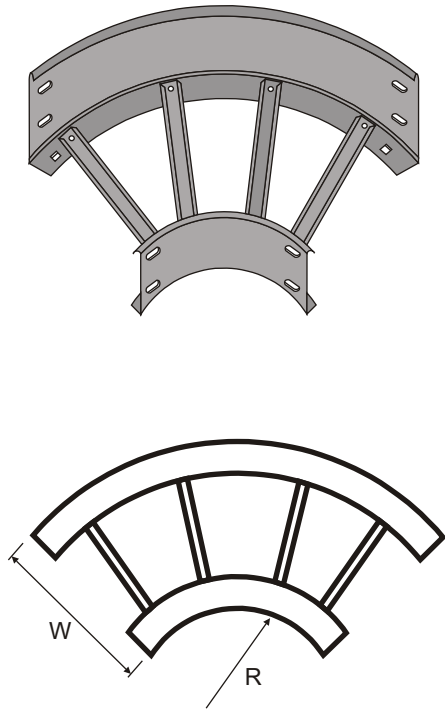
A wide range of fittings and accessories are fabricated to meet all installation requirements and provide a complete system for electrical application in industrial and construction projects.

SADENCO also offer fully integrated cable ladder system manufactured from stainless steel complying with the International Standards.

For more information on Stainless Steel Cable ladder System contact SADENCO.

SADENCO CABLE LADDER AND FITTINGS (RIVETTED TYPE)

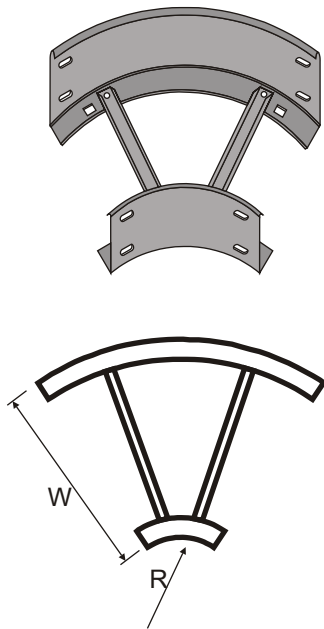
90 DEG. HORIZONTAL BEND



CATALOG #	HEIGHT H (mm)	WIDTH H (mm)
CL/R/HB90°/4515	45	150
CL/R/HB90°/4520	45	200
CL/R/HB90°/4530	45	300
CL/R/HB90°/4540	45	400
CL/R/HB90°/4550	45	500
CL/R/HB90°/4560	45	600
CL/R/HB90°/6015	60	150
CL/R/HB90°/6020	60	200
CL/R/HB90°/6030	60	300
CL/R/HB90°/6040	60	400
CL/R/HB90°/6050	60	500
CL/R/HB90°/6060	60	600
CL/R/HB90°/1115	110	150
CL/R/HB90°/1120	110	200
CL/R/HB90°/1130	110	300
CL/R/HB90°/1140	110	400
CL/R/HB90°/1150	110	500
CL/R/HB90°/1160	110	600

CATALOG #: CL/R/HB90°

45 DEG. HORIZONTAL BEND



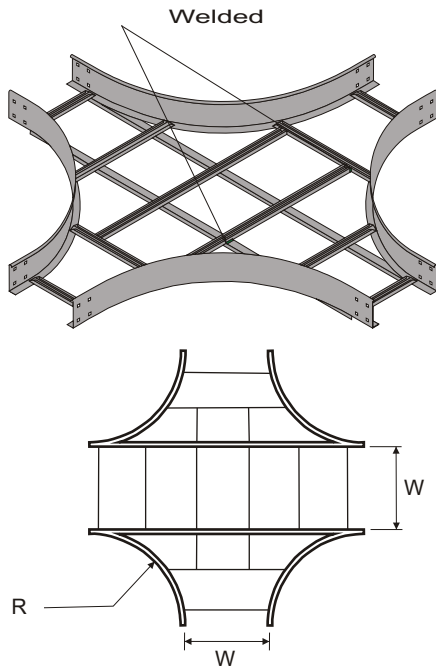
CATALOG #	HEIGHT H (mm)	WIDTH H (mm)
CL/R/HB45°/4515	45	150
CL/R/HB45°/4520	45	200
CL/R/HB45°/4530	45	300
CL/R/HB45°/4540	45	400
CL/R/HB45°/4550	45	500
CL/R/HB45°/4560	45	600
CL/R/HB45°/6015	60	150
CL/R/HB45°/6020	60	200
CL/R/HB45°/6030	60	300
CL/R/HB45°/6040	60	400
CL/R/HB45°/6050	60	500
CL/R/HB45°/6060	60	600
CL/R/HB45°/1115	110	150
CL/R/HB45°/1120	110	200
CL/R/HB45°/1130	110	300
CL/R/HB45°/1140	110	400
CL/R/HB45°/1150	110	500
CL/R/HB45°/1160	110	600

CATALOG #: CL/R/HB45°

ON ORDER ADD TO CATALOG #: LOAD DEPTH (3", 4", 5", 6")

: FLANGE WIDTH (13/16", 1 1/4", 1 1/2", 1 3/4", 2")

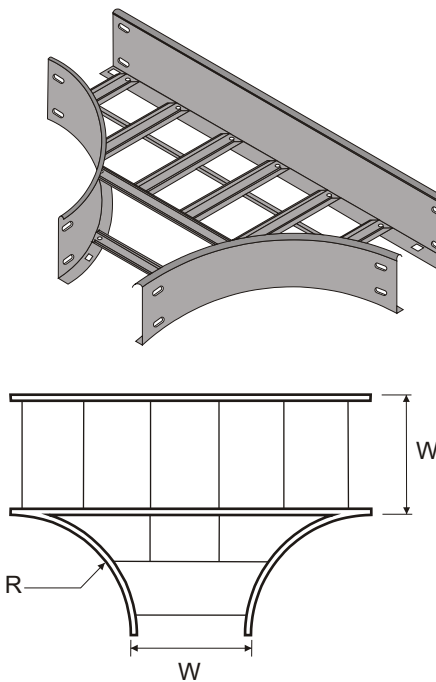
HORIZONTAL CROSSING



CATALOG #	HEIGHT H (mm)	WIDTH H (mm)
CL/R/HC/4515	45	150
CL/R/HC/4520	45	200
CL/R/HC/4530	45	300
CL/R/HC/4540	45	400
CL/R/HC/4550	45	500
CL/R/HC/4560	45	600
CL/R/HC/6015	60	150
CL/R/HC/6020	60	200
CL/R/HC/6030	60	300
CL/R/HC/6040	60	400
CL/R/HC/6050	60	500
CL/R/HC/6060	60	600
CL/R/HC/1115	110	150
CL/R/HC/1120	110	200
CL/R/HC/1130	110	300
CL/R/HC/1140	110	400
CL/R/HC/1150	110	500
CL/R/HC/1160	110	600

CATALOG #: CL/R/HC

HORIZONTAL TEE - PIECE



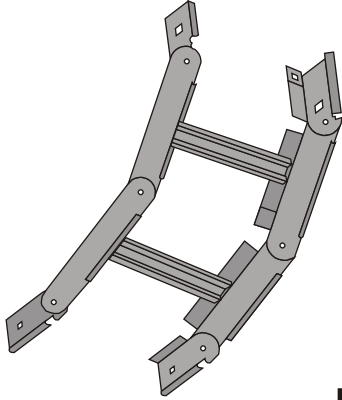
CATALOG #	HEIGHT H (mm)	WIDTH H (mm)
CL/R/HTP/4515	45	150
CL/R/HTP/4520	45	200
CL/R/HTP/4530	45	300
CL/R/HTP/4540	45	400
CL/R/HTP/4550	45	500
CL/R/HTP/4560	45	600
CL/R/HTP/6015	60	150
CL/R/HTP/6020	60	200
CL/R/HTP/6030	60	300
CL/R/HTP/6040	60	400
CL/R/HTP/6050	60	500
CL/R/HTP/6060	60	600
CL/R/HTP/1115	110	150
CL/R/HTP/1120	110	200
CL/R/HTP/1130	110	300
CL/R/HTP/1140	110	400
CL/R/HTP/1150	110	500
CL/R/HTP/1160	110	600

CATALOG #: CL/R/HTP

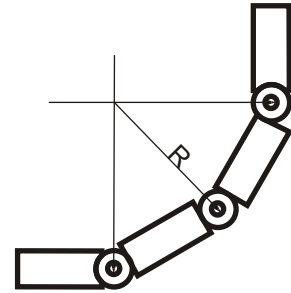
ON ORDER ADD TO CATALOG #: LOAD DEPTH (3", 4", 5", 6")
 : FLANGE WIDTH (13/16", 1 1/4", 1/2" 1 3/4", 2")

VERTICAL ADJUSTABLE BENDS

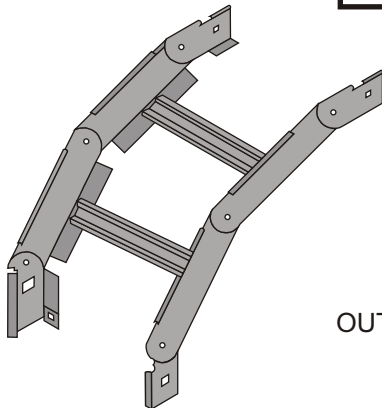
CATALOG #: CL/R/VAB



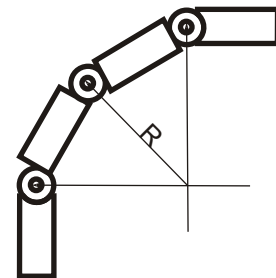
INSIDE



CATALOG #	HEIGHT H (mm)	WIDTH H (mm)
CL/R/VAB/4515	45	150
CL/R/VAB/4520	45	200
CL/R/VAB/4530	45	300
CL/R/VAB/4540	45	400
CL/R/VAB/4550	45	500
CL/R/VAB/4560	45	600
CL/R/VAB/6015	60	150
CL/R/VAB/6020	60	200
CL/R/VAB/6030	60	300
CL/R/VAB/6040	60	400
CL/R/VAB/6050	60	500
CL/R/VAB/6060	60	600
CL/R/VAB/1115	110	150
CL/R/VAB/1120	110	200
CL/R/VAB/1130	110	300
CL/R/VAB/1140	110	400
CL/R/VAB/1150	110	500
CL/R/VAB/1160	110	600



OUTSIDE



DIMENSION:

Description:

Standard Radius: 600mm (Other radius available on request)

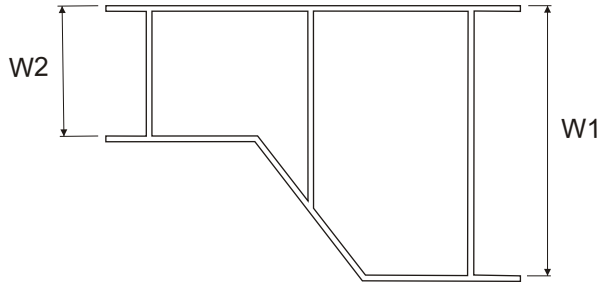
Rung Type: C - Profile Rivetted

Material: (1) Hot Dip Galvanized Steel to BS 729 (2) Stainless Steel

On Order: Specify Catalog #. And Material Finishing.

SADENCO CABLE LADDER AND FITTINGS (RIVETTED TYPE)

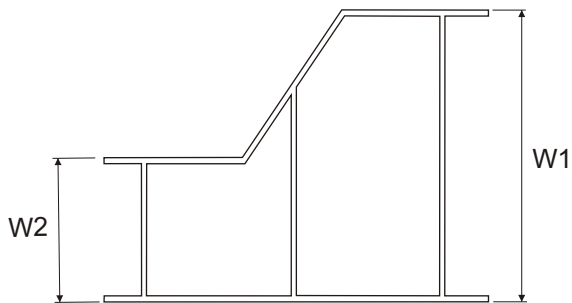
RIGHT HAND REDUCER CATALOG #: CL/R/RHR



CL/R/RHR/W1/W2 For H = 45
CL/R/RHR/W1/W2 For H = 60
CL/R/RHR/W1/W2 For H = 110

Specify W1 & W2

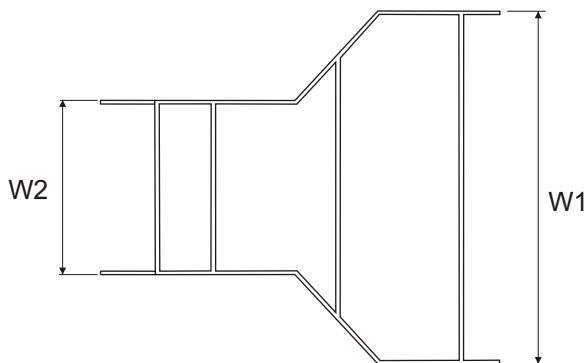
LEFT HAND REDUCER CATALOG #: CL/R/LHR



CL/R/LHR/W1/W2 For H = 45
CL/R/LHR/W1/W2 For H = 60
CL/R/LHR/W1/W2 For H = 110

Specify W1 & W2

STRAIGHT REDUCER CATALOG #: CL/R/SR



CL/R/SR/W1/W2 For H = 45
CL/R/SR/W1/W2 For H = 60
CL/R/SR/W1/W2 For H = 110

Specify W1 & W2

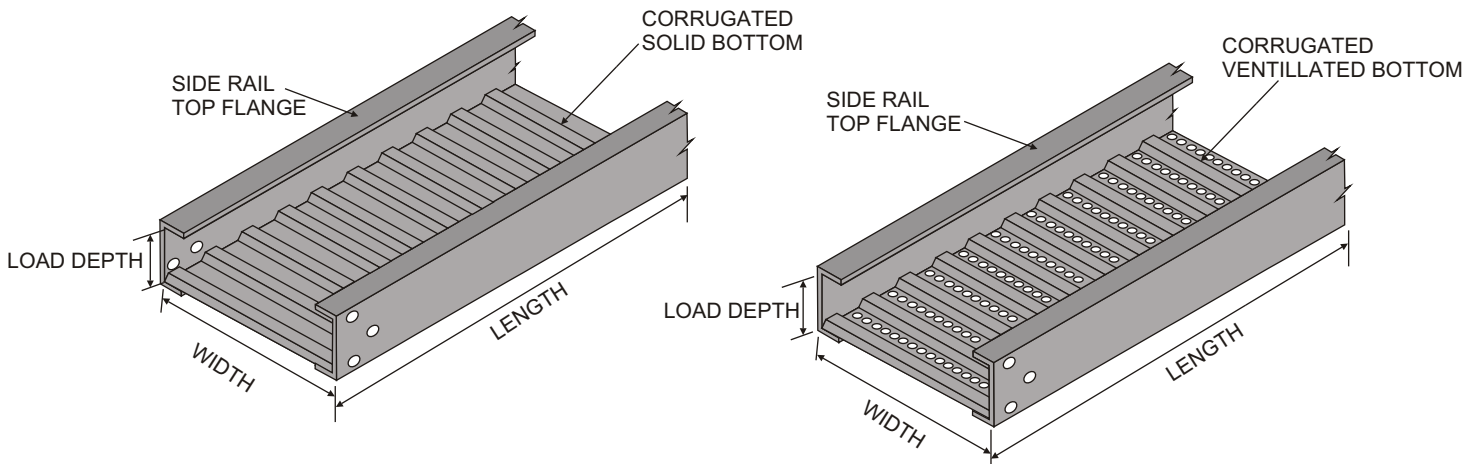
Description:
Rung Type: C - Profile Rivetted
Material: (1) Hot Dip Galvanized Steel to BS 729 (2) Stainless Steel
On Order: Specify Catalog #. And Material Finishing.

SADENCO CABLE LADDER AND FITTINGS

STRAIGHT LADDER

Corrugated bottoms have 1" wide ribs on 2" centers. Ventillation holes in valleys of the corrugations are 11/16" diameter on one inch (1") centers. Free passage of air through the openings results in a 68% open area

Solid Bottom have the same corrugations but have no holes, Mterials, Aluminium, Galvanized (pre-galvanized) to ASTM A-525, Hot dip Galvanized after fabrication (HDGAP) to ASTM-A123



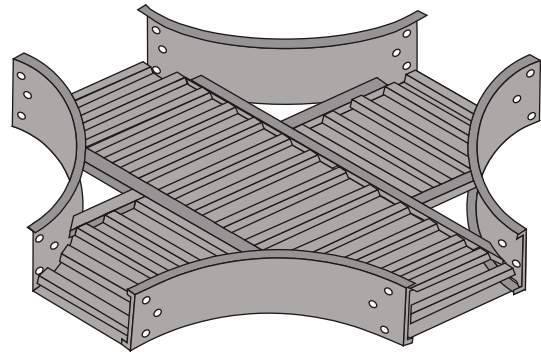
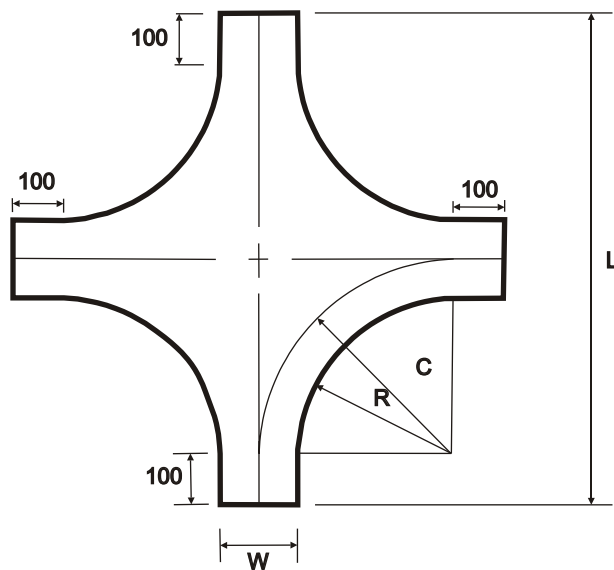
Sadenco Ladder is manufactured in 10", 12", 20", and 24" lengths 6", 9", 12", 30" and 36" widths: and 3", 4", 5", and 6", load depth (3" load depth are not recommended for 16" and 20" spans). The most complete line of fittings and accessories , ever are available. Corrugation give great lateral rigidity to the bottom transmittings load to the siderails.

(See Selection Chart)

MATERIAL AND FINISH SPECIFICATION		
	ALUMINUM	HOT DIP GALVANIZED STEEL
Splice Plate Finish	AA-5052-H34	ASTM A-569 ASTM A-123 Grade 65
Side rails	AA-6063-T6 Extruded	ASTM A-366 (18 & 16 Gage)
Covers	AA-3003 H14 or 3150 H14	ASTM A-526 G90
Connector Bolts	SAE J429 Grade 1 (ASTM A-307 Grade A)	SAE J429 GRADE 1 (ASTM A-307 Grade A)

CATALOG NUMBER			
SYSTEM	Rung (ft)	SPACING	Basic Width
From Selection Chart NEMA	12 or 24	-06	-06
		-09	-09
		-12	-12
		-18	-18
			-24
		-30	
		-36	

HORIZONTAL CROSS



CATALOG #: CL/SB/HC

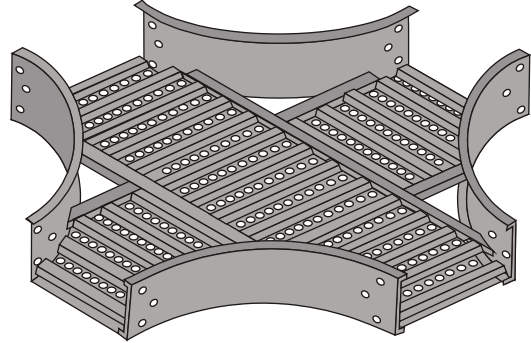
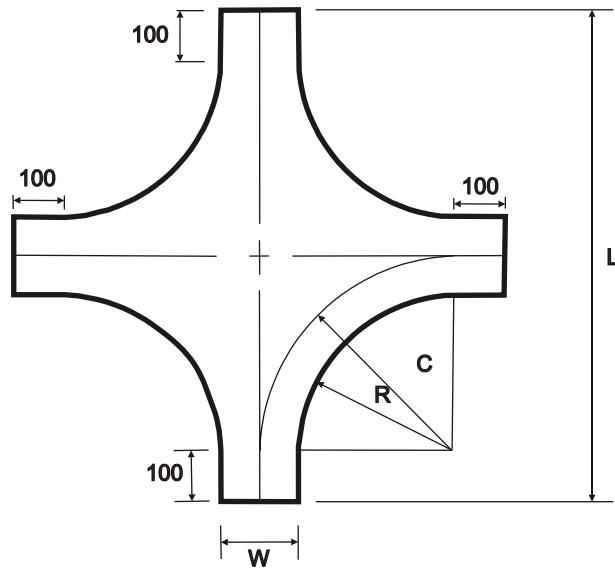
CATALOG NUMBER		DIMENSIONS				RADIUS "R"		WIDTH "W"	
		L		C					
ALUMINIUM	STEEL	inch	mm	inch	mm	inch	mm	inch	mm
CL/SB/HCA/1206	CL/SB/HCS/1206	30"	762	15"	381	12"	305	6"	152
CL/SB/HCA/1209	CL/SB/HCS/1209	33"	838	16.5"	419	12"	305	9"	229
CL/SB/HCA/1212	CL/SB/HCS/1212	36"	914	18"	457	12"	305	12"	305
CL/SB/HCA/1218	CL/SB/HCS/1218	42"	1667	21"	533	12"	305	18"	457
CL/SBHCA/1224	CL/SB/HCS/1224	48"	1219	24"	610	12"	305	24"	610
CL/SB/HCA/1230	CL/SB/HCS/1230	54"	1372	27"	686	12"	305	30"	762
CL/SB/HCA/1236	CL/SB/HCS/1236	60"	1524	30"	762	12"	305	36"	914
CL/SB/HCA/2406	CL/SB/HCS/2406	54"	1372	27"	686	24"	610	6"	152
CL/SB/HCA/2409	CL/SB/HCS/2409	57"	1448	28.5"	724	24"	610	9"	229
CL/SB/HCA/2412	CL/SB/HCS/2412	60"	1524	30"	762	24"	610	12"	605
CL/SB/HCA/2418	CL/SB/HCS/2418	66"	1676	33"	838	24"	610	18"	457
CL/SB/HCA/2424	CL/SB/HCS/2424	72"	1829	36"	914	24"	610	24"	610
CL/SB/HCA/2430	CL/SB/HCS/2430	78"	1981	39"	991	24"	610	30"	762
CL/SB/HCA/2436	CL/SB/HCS/2436	84"	2157	42"	1067	24"	610	36"	914
CL/SB/HCA/3606	CL/SB/HCS/3606	78"	1981	39"	991	36"	914	6"	152
CL/SB/HCA/3609	CL/SB/HCS/3609	81"	2057	40.5"	1029	36"	914	9"	229
CL/SB/HCA/3612	CL/SB/HCS/3612	84"	2137	42"	1067	36"	914	12"	305
CL/SB/HCA/3618	CL/SB/HCS/3618	90"	2286	45"	1143	36"	914	18"	457
CL/SB/HCA/3624	CL/SB/HCS/3624	106"	2692	48"	1219	36"	914	24"	610
CL/SB/HCA/3630	CL/SB/HCS/3630	102"	2591	51"	1295	36"	914	30"	762
CL/SB/HCA/3636	CL/SB/HCS/3636	108"	2743	54"	1372	36"	914	36"	914

ON ORDER ADD TO CATALOG #: LOAD DEPTH (3", 4", 5", 6")

: FLANGE WIDTH (13/16", 1 1/4", 1 1/2", 1 3/4", 2")

SADENCO CABLE LADDER AND FITTINGS (VENTILLATED TYPE)

HORIZONTAL CROSS

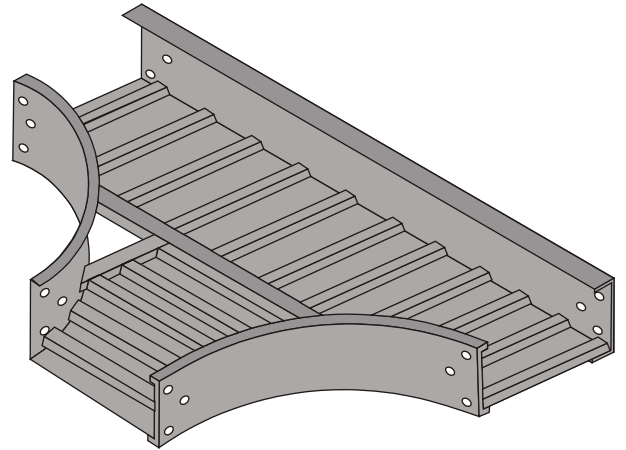
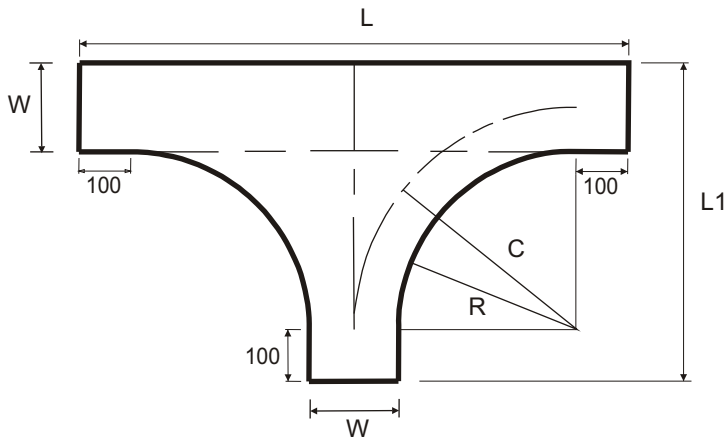


CATALOG #: CLV/HC

CATALOG NUMBER		DIMENSIONS				RADIUS "R"		WIDTH "W"	
		L		C					
ALUMINIUM	STEEL	inch	mm	inch	mm	inch	mm	inch	mm
CLV/HCA/1206	CLV/HCS/1206	30"	762	15"	381	12"	305	6"	152
CLV/HCA/1209	CLV/HCS/1209	33"	838	16.5"	419	12"	305	9"	229
CLV/HCA/1212	CLV/HCS/1212	36"	914	18"	457	12"	305	12"	305
CLV/HCA/1218	CLV/HCS/1218	42"	1667	21"	533	12"	305	18"	457
CLV/HCA/1224	CLV/HCS/1224	48"	1219	24"	610	12"	305	24"	610
CLV/HCA/1230	CLV/HCS/1230	54"	1372	27"	686	12"	305	30"	762
CLV/HCA/1236	CLV/HCS/1236	60"	1524	30"	762	12"	305	36"	914
CLV/HCA/2406	CLV/HCS/2406	54"	1372	27"	686	24"	610	6"	152
CLV/HCA/2409	CLV/HCS/2409	57"	1448	28.5"	724	24"	610	9"	229
CLV/HCA/2412	CLV/HCS/2412	60"	1524	30"	762	24"	610	12"	605
CLV/HCA/2418	CLV/HCS/2418	66"	1676	33"	838	24"	610	18"	457
CLV/HCA/2424	CLV/HCS/2424	72"	1829	36"	914	24"	610	24"	610
CLV/HCA/2430	CLV/HCS/2430	78"	1981	39"	991	24"	610	30"	762
CLV/HCA/2436	CLV/HCS/2436	84"	2157	42"	1067	24"	610	36"	914
CLV/HCA/3606	CLV/HCS/3606	78"	1981	39"	991	36"	914	6"	152
CLV/HCA/3609	CLV/HCS/3609	81"	2057	40.5"	1029	36"	914	9"	229
CLV/HCA/3612	CLV/HCS/3612	84"	2137	42"	1067	36"	914	12"	305
CLV/HCA/3618	CLV/HCS/3618	90"	2286	45"	1143	36"	914	18"	457
CLV/HCA/3624	CLV/HCS/3624	106"	2692	48"	1219	36"	914	24"	610
CLV/HCA/3630	CLV/HCS/3630	102"	2591	51"	1295	36"	914	30"	762
CLV/HCA/3636	CLV/HCS/3636	108"	2743	54"	1372	36"	914	36"	914

ON ORDER ADD TO CATALOG #: LOAD DEPTH (3", 4", 5", 6")
: FLANGE WIDTH (13/16", 1 1/4", 1 3/4", 2")

HORIZONTAL TEE



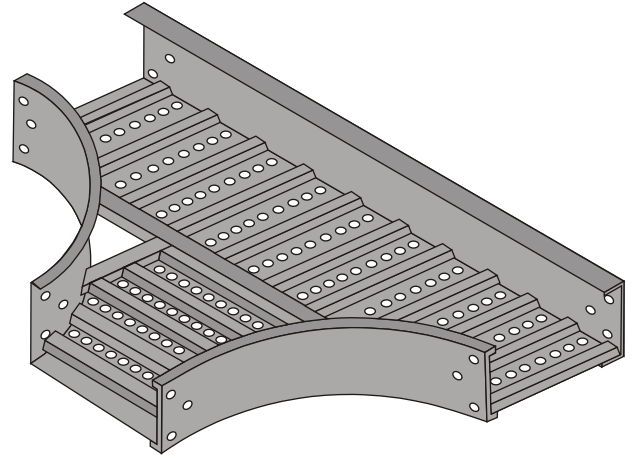
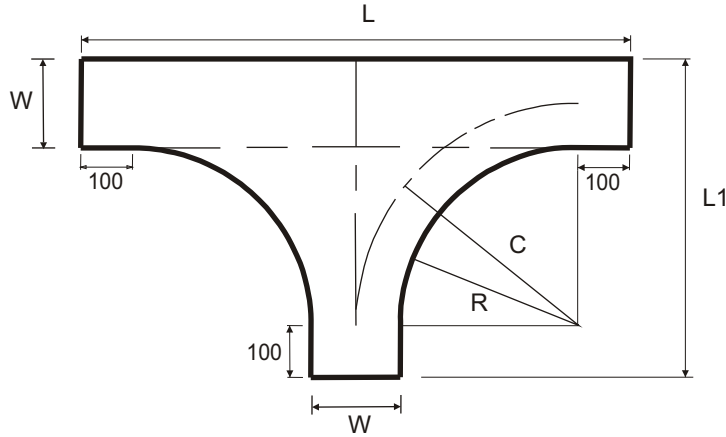
CATALOG # :CL/SB/HT

CATALOG NUMBER		DIMENSIONS						RADIUS "R"		WIDTH "W"	
		L		L1		C					
ALUMINIUM	STEEL	inch	mm	inch	mm	inch	mm	inch	mm	inch	mm
CL/SB/HTA/1206	CL/SB/HTS/1206	30"	762	18	457	15"	381	12"	305	6"	152
CL/SB/HTA/1209	CL/SB/HTS/1209	33"	838	21	533	16.5"	419	12"	305	9"	229
CL/SB/HTA/1212	CL/SB/HTS/1212	36"	914	24	610	18"	457	12"	305	12"	305
CL/SB/HTA/1218	CL/SB/HTS/1218	42"	1667	30	762	21"	533	12"	305	18"	457
CL/SB/HTA/1224	CL/SB/HTS/1224	48"	1219	36	914	24"	610	12"	305	24"	610
CL/SB/HTA/1230	CL/SB/HTS/1230	54"	1372	42	1067	27"	686	12"	305	30"	762
CL/SB/HTA/1236	CL/SB/HTS/1236	60"	1524	48	1219	30"	762	12"	305	36"	914
CL/SB/HTA/2406	CL/SB/HTS/2406	54"	1372	30	762	27"	686	24"	610	6"	152
CL/SB/HTA/2409	CL/SB/HTS/2409	57"	1448	33	838	28.5"	724	24"	610	9"	229
CL/SB/HTA/2412	CL/SB/HTS/2412	60"	1524	36	914	30"	762	24"	610	12"	605
CL/SB/HTA/2418	CL/SB/HTS/2418	66"	1676	42	1067	33"	838	24"	610	18"	457
CL/SB/HTA/2424	CL/SB/HTS/2424	72"	1829	48	1219	36"	914	24"	610	24"	610
CL/SB/HTA/2430	CL/SB/HTS/2430	78"	1981	54	1372	39"	991	24"	610	30"	762
CL/SB/HTA/2436	CL/SB/HTS/2436	84"	2157	60	1524	42"	1067	24"	610	36"	914
CL/SB/HTA/3606	CL/SB/HTS/3606	78"	1981	42	1067	39"	991	36"	914	6"	152
CL/SB/HTA/3609	CL/SB/HTS/3609	81"	2057	45	1143	40.5"	1029	36"	914	9"	229
CL/SB/HTA/3612	CL/SB/HTS/3612	84"	2137	48	1219	42"	1067	36"	914	12"	305
CL/SB/HTA/3618	CL/SB/HTS/3618	90"	2286	54	1372	45"	1143	36"	914	18"	457
CL/SB/HTA/3624	CL/SB/HTS/3624	106"	2692	60	1524	48"	1219	36"	914	24"	610
CL/SB/HTA/3630	CL/SB/HTS/3630	102"	2591	66	1676	51"	1295	36"	914	30"	762
CL/SB/HTA/3636	CL/SB/HTS/3636	108"	2743	72	1829	54"	1372	36"	914	36"	914

ON ORDER ADD TO CATALOG #: LOAD DEPTH (3", 4", 5", 6")
 : FLANGE WIDTH (13/16", 1 1/4", 1 1/2", 1 3/4", 2")

SADENCO CABLE LADDER AND FITTINGS (VENTILLATED TYPE)

HORIZONTAL TEE

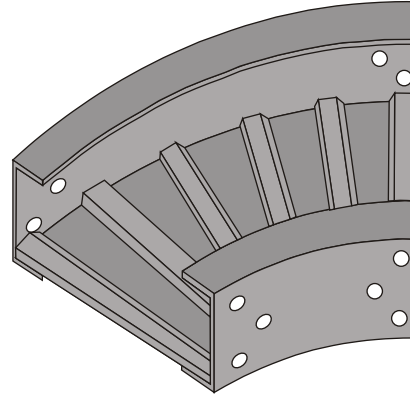
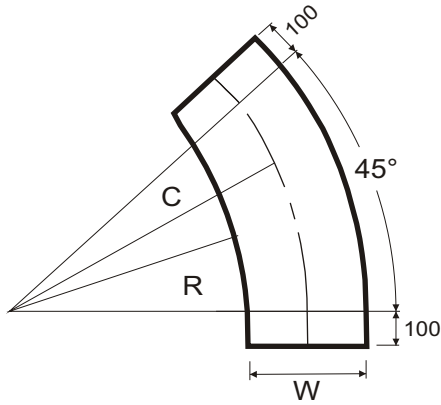


CATALOG # :CL/V/HT

CATALOG NUMBER		DIMENSIONS						RADIUS "R"		WIDTH "W"	
		L		L1		C					
ALUMINIUM	STEEL	inch	mm	inch	mm	inch	mm	inch	mm	inch	mm
CL/V/HTA/1206	CLV/HTS/1206	30"	762	18	457	15"	381	12"	305	6"	152
CL/V/HTA/1209	CLV/HTS/1209	33"	838	21	533	16.5"	419	12"	305	9"	229
CL/V/HTA/1212	CLV/HTS/1212	36"	914	24	610	18"	457	12"	305	12"	305
CL/V/HTA/1218	CLV/HTS/1218	42"	1667	30	762	21"	533	12"	305	18"	457
CL/V/HTA/1224	CLV/HTS/1224	48"	1219	36	914	24"	610	12"	305	24"	610
CL/V/HTA/1230	CLV/HTS/1230	54"	1372	42	1067	27"	686	12"	305	30"	762
CL/V/HTA/1236	CLV/HTS/1236	60"	1524	48	1219	30"	762	12"	305	36"	914
CL/V/HTA/2406	CLV/HTS/2406	54"	1372	30	762	27"	686	24"	610	6"	152
CL/V/HTA/2409	CLV/HTS/2409	57"	1448	33	838	28.5"	724	24"	610	9"	229
CL/V/HTA/2412	CLV/HTS/2412	60"	1524	36	914	30"	762	24"	610	12"	605
CL/V/HTA/2418	CLV/HTS/2418	66"	1676	42	1067	33"	838	24"	610	18"	457
CL/V/HTA/2424	CLV/HTS/2424	72"	1829	48	1219	36"	914	24"	610	24"	610
CL/V/HTA/2430	CLV/HTS/2430	78"	1981	54	1372	39"	991	24"	610	30"	762
CL/V/HTA/2436	CLV/HTS/2436	84"	2157	60	1524	42"	1067	24"	610	36"	914
CL/V/HTA/3606	CLV/HTS/3606	78"	1981	42	1067	39"	991	36"	914	6"	152
CL/V/HTA/3609	CLV/HTS/3609	81"	2057	45	1143	40.5"	1029	36"	914	9"	229
CL/V/HTA/3612	CLV/HTS/3612	84"	2137	48	1219	42"	1067	36"	914	12"	305
CL/V/HTA/3618	CLV/HTS/3618	90"	2286	54	1372	45"	1143	36"	914	18"	457
CL/V/HTA/3624	CLV/HTS/3624	106"	2692	60	1524	48"	1219	36"	914	24"	610
CL/V/HTA/3630	CLV/HTS/3630	102"	2591	66	1676	51"	1295	36"	914	30"	762
CL/V/HTA/3636	CLV/HTS/3636	108"	2743	72	1829	54"	1372	36"	914	36"	914

ON ORDER ADD TO CATALOG #: LOAD DEPTH (3", 4", 5", 6")
 : FLANGE WIDTH (13/16", 1 1/4", 1 1/2", 1 3/4", 2")

45° HORIZONTAL ELBOW



CATALOG # :CL/SB/HE45°

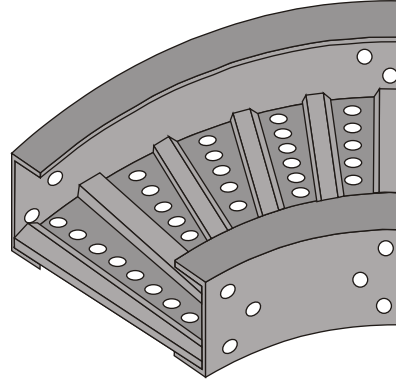
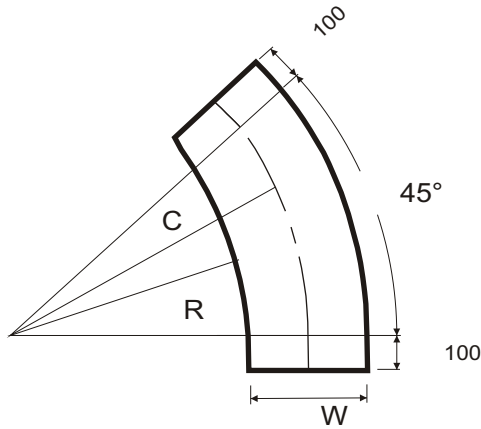
CATALOG NUMBER		DIMENSIONS		RADIUS "R"		WIDTH "W"	
		C					
ALUMINIUM	STEEL	inch	mm	inch	mm	inch	mm
CL/SB/HEA45°/1206	CL/SB/HE45°S/1206	15"	381	12"	305	6"	152
CL/SB/HEA45°/1209	CL/SB/HE45°S/1209	16.5"	419	12"	305	9"	229
CL/SB/HEA45°/1212	CL/SB/HE45°S/1212	18"	457	12"	305	12"	305
CL/SB/HEA45°/1218	CL/SB/HE45°S/1218	21"	533	12"	305	18"	457
CL/SB/HEA45°/1224	CL/SB/HE45°S/1224	24"	610	12"	305	24"	610
CL/SB/HEA45°/1230	CL/SB/HE45°S/1230	27"	686	12"	305	30"	762
CL/SB/HEA45°/1236	CL/SB/HE45°S/1236	30"	762	12"	305	36"	914
CL/SB/HEA45°/2406	CL/SB/HE45°S/2406	27"	686	24"	610	6"	152
CL/SB/HEA45°/2409	CL/SB/HE45°S/2409	28.5"	724	24"	610	9"	229
CL/SB/HEA45°/2412	CL/SB/HE45°S/2412	30"	762	24"	610	12"	605
CL/SB/HEA45°/2418	CL/SB/HE45°S/2418	33"	838	24"	610	18"	457
CL/SB/HEA45°/2424	CL/SB/HE45°S/2424	36"	914	24"	610	24"	610
CL/SB/HEA45°/2430	CL/SB/HE45°S/2430	39"	991	24"	610	30"	762
CL/SB/HEA45°/2436	CL/SB/HE45°S/2436	42"	1067	24"	610	36"	914
CL/SB/HEA45°/3606	CL/SB/HE45°S/3606	39"	991	36"	914	6"	152
CL/SB/HEA45°/3609	CL/SB/HE45°S/3609	40.5"	1029	36"	914	9"	229
CL/SB/HEA45°/3612	CL/SB/HE45°S/3612	42"	1067	36"	914	12"	305
CL/SB/HEA45°/3618	CL/SB/HE45°S/3618	45"	1143	36"	914	18"	457
CL/SB/HEA45°/3624	CL/SB/HE45°S/3624	48"	1219	36"	914	24"	610
CL/SB/HEA45°/3630	CL/SB/HE45°S/3630	51"	1295	36"	914	30"	762
CL/SB/HEA45°/3636	CL/SB/HE45°S/3636	54"	1372	36"	914	36"	914

ON ORDER ADD TO CATALOG #: LOAD DEPTH (3", 4", 5", 6")

: FLANGE WIDTH (13/16", 1 1/4", 1 1/2", 1 3/4", 2")

SADENCO CABLE LADDER AND FITTINGS (VENTILLATED TYPE)

45° HORIZONTAL ELBOW



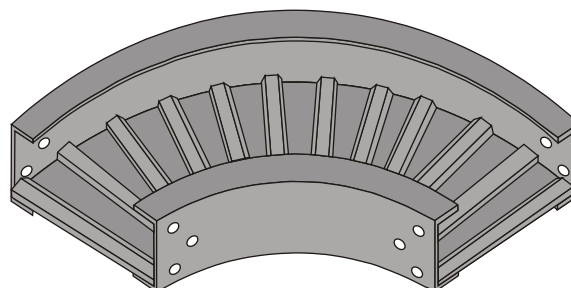
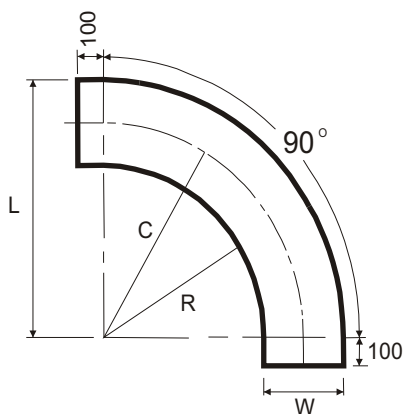
CATALOG # :CL/V/HE45°

CATALOG NUMBER		DIMENSIONS		RADIUS "R"		WIDTH "W"	
		C		inch	mm	inch	mm
ALUMINIUM	STEEL	inch	mm	inch	mm	inch	mm
CL/V/HEA45°/1206	CL/V/HE45°S/1206	15"	381	12"	305	6"	152
CL/V/HEA45°/1209	CL/V/HE45°S/1209	16.5"	419	12"	305	9"	229
CL/V/HEA45°/1212	CL/V/HE45°S/1212	18"	457	12"	305	12"	305
CL/V/HEA45°/1218	CL/V/HE45°S/1218	21"	533	12"	305	18"	457
CL/V/HEA45°/1224	CL/V/HE45°S/1224	24"	610	12"	305	24"	610
CL/V/HEA45°/1230	CL/V/HE45°S/1230	27"	686	12"	305	30"	762
CL/V/HEA45°/1236	CL/V/HE45°S/1236	30"	762	12"	305	36"	914
CL/V/HEA45°/2406	CL/V/HE45°S/2406	27"	686	24"	610	6"	152
CL/V/HEA45°/2409	CL/V/HE45°S/2409	28.5"	724	24"	610	9"	229
CL/V/HEA45°/2412	CL/V/HE45°S/2412	30"	762	24"	610	12"	605
CL/V/HEA45°/2418	CL/V/HE45°S/2418	33"	838	24"	610	18"	457
CL/V/HEA45°/2424	CL/V/HE45°S/2424	36"	914	24"	610	24"	610
CL/V/HEA45°/2430	CL/V/HE45°S/2430	39"	991	24"	610	30"	762
CL/V/HEA45°/2436	CL/V/HE45°S/2436	42"	1067	24"	610	36"	914
CL/V/HEA45°/3606	CL/V/HE45°S/3606	39"	991	36"	914	6"	152
CL/V/HEA45°/3609	CL/V/HE45°S/3609	40.5"	1029	36"	914	9"	229
CL/V/HEA45°/3612	CL/V/HE45°S/3612	42"	1067	36"	914	12"	305
CL/V/HEA45°/3618	CL/V/HE45°S/3618	45"	1143	36"	914	18"	457
CL/V/HEA45°/3624	CL/V/HE45°S/3624	48"	1219	36"	914	24"	610
CL/V/HEA45°/3630	CL/V/HE45°S/3630	51"	1295	36"	914	30"	762
CL/V/HEA45°/3636	CL/V/HE45°S/3636	54"	1372	36"	914	36"	914

ON ORDER ADD TO CATALOG #: LOAD DEPTH (3", 4", 5", 6")
: FLANGE WIDTH (13/16", 1 1/4", 1 1/2", 1 3/4", 2")

SADENCO CABLE LADDER AND FITTINGS (SOLID TYPE)

90° HORIZONTAL ELBOW



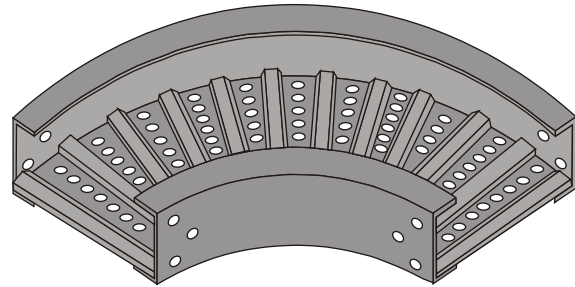
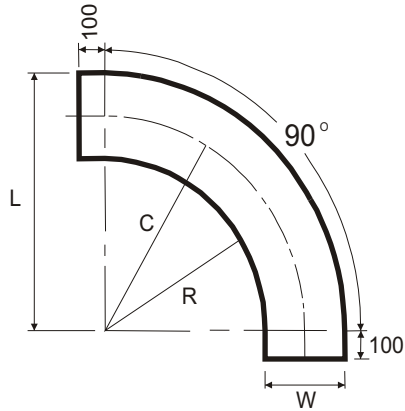
CATALOG # :CL/SB/HE90°

CATALOG NUMBER		DIMENSIONS				RADIUS "R"		WIDTH "W"	
		L		C		inch	mm	inch	mm
ALUMINIUM	STEEL	inch	mm	inch	mm	inch	mm	inch	mm
CL/SB/HEA90°/1206	CL/SB/HE90°S/1206	18"	457	15"	381	12"	305	6"	152
CL/SB/HEA90°/1209	CL/SB/HE90°S/1209	21"	533	16.5"	419	12"	305	9"	229
CL/SB/HEA90°/1212	CL/SB/HE90°S/1212	24"	610	18"	457	12"	305	12"	305
CL/SB/HEA90°/1218	CL/SB/HE90°S/1218	30"	762	21"	533	12"	305	18"	457
CL/SB/HEA90°/1224	CL/SB/HE90°S/1224	36"	914	24"	610	12"	305	24"	610
CL/SB/HEA90°/1230	CL/SB/HE90°S/1230	42"	1067	27"	686	12"	305	30"	762
CL/SB/HEA90°/1236	CL/SB/HE90°S/1236	48"	1219	30"	762	12"	305	36"	914
CL/SB/HEA90°/2406	CL/SB/HE90°S/2406	30"	762	27"	686	24"	610	6"	152
CL/SB/HEA90°/2409	CL/SB/HE90°S/2409	33"	838	28.5"	724	24"	610	9"	229
CL/SB/HEA90°/2412	CL/SB/HE90°S/2412	36"	914	30"	762	24"	610	12"	605
CL/SB/HEA90°/2418	CL/SB/HE90°S/2418	42"	1067	33"	838	24"	610	18"	457
CL/SB/HEA90°/2424	CL/SB/HE90°S/2424	48"	1219	36"	914	24"	610	24"	610
CL/SB/HEA90°/2430	CL/SB/HE90°S/2430	54"	1372	39"	991	24"	610	30"	762
CL/SB/HEA90°/2436	CL/SB/HE90°S/2436	60"	1524	42"	1067	24"	610	36"	914
CL/SB/HEA90°/3606	CL/SB/HE90°S/3606	42"	1067	39"	991	36"	914	6"	152
CL/SB/HEA90°/3609	CL/SB/HE90°S/3609	45"	1143	40.5"	1029	36"	914	9"	229
CL/SB/HEA90°/3612	CL/SB/HE90°S/3612	48"	1219	42"	1067	36"	914	12"	305
CL/SB/HEA90°/3618	CL/SB/HE90°S/3618	54"	1372	45"	1143	36"	914	18"	457
CL/SB/HEA90°/3624	CL/SB/HE90°S/3624	60"	1524	48"	1219	36"	914	24"	610
CL/SB/HEA90°/3630	CL/SB/HE90°S/3630	66"	1676	51"	1295	36"	914	30"	762
CL/SB/HEA90°/3636	CL/SB/HE90°S/3636	72"	1829	54"	1372	36"	914	36"	914

ON ORDER ADD TO CATALOG #: LOAD DEPTH (3", 4", 5", 6")
 : FLANGE WIDTH (13/16", 1 1/4", 1/2" 1 3/4", 2")

SADENCO CABLE LADDER AND FITTINGS (VENTILLATED TYPE)

90° HORIZONTAL ELBOW



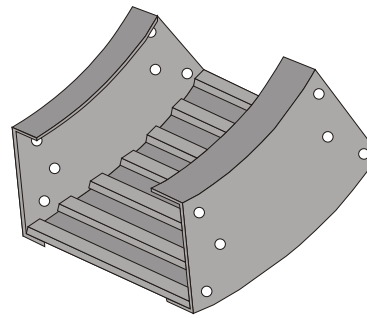
CATALOG # : CLV/HE90°

CATALOG NUMBER		DIMENSIONS				RADIUS "R"		WIDTH "W"	
		L		C					
ALUMINIUM	STEEL	inch	mm	inch	mm	inch	mm	inch	mm
CLV/HEA90°/1206	CLV/HE90°S/1206	18"	457	15"	381	12"	305	6"	152
CLV/HEA90°/1209	CLV/HE90°S/1209	21"	533	16.5"	419	12"	305	9"	229
CLV/HEA90°/1212	CLV/HE90°S/1212	24"	610	18"	457	12"	305	12"	305
CLV/HEA90°/1218	CLV/HE90°S/1218	30"	762	21"	533	12"	305	18"	457
CLV/HEA90°/1224	CLV/HE90°S/1224	36"	914	24"	610	12"	305	24"	610
CLV/HEA90°/1230	CLV/HE90°S/1230	42"	1067	27"	686	12"	305	30"	762
CLV/HEA90°/1236	CLV/HE90°S/1236	48"	1219	30"	762	12"	305	36"	914
CLV/HEA90°/2406	CLV/HE90°S/2406	30"	762	27"	686	24"	610	6"	152
CLV/HEA90°/2409	CLV/HE90°S/2409	33"	838	28.5"	724	24"	610	9"	229
CLV/HEA90°/2412	CLV/HE90°S/2412	36"	914	30"	762	24"	610	12"	605
CLV/HEA90°/2418	CLV/HE90°S/2418	42"	1067	33"	838	24"	610	18"	457
CLV/HEA90°/2424	CLV/HE90°S/2424	48"	1219	36"	914	24"	610	24"	610
CLV/HEA90°/2430	CLV/HE90°S/2430	54"	1372	39"	991	24"	610	30"	762
CLV/HEA90°/2436	CLV/HE90°S/2436	60"	1524	42"	1067	24"	610	36"	914
CLV/HEA90°/3606	CLV/HE90°S/3606	42"	1067	39"	991	36"	914	6"	152
CLV/HEA90°/3609	CLV/HE90°S/3609	45"	1143	40.5"	1029	36"	914	9"	229
CLV/HEA90°/3612	CLV/HE90°S/3612	48"	1219	42"	1067	36"	914	12"	305
CLV/HEA90°/3618	CLV/HE90°S/3618	54"	1372	45"	1143	36"	914	18"	457
CLV/HEA90°/3624	CLV/HE90°S/3624	60"	1524	48"	1219	36"	914	24"	610
CLV/HEA90°/3630	CLV/HE90°S/3630	66"	1676	51"	1295	36"	914	30"	762
CLV/HEA90°/3636	CLV/HE90°S/3636	72"	1829	54"	1372	36"	914	36"	914

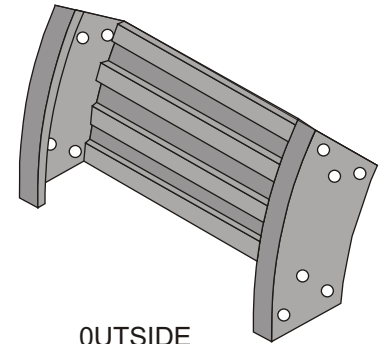
ON ORDER ADD TO CATALOG #: LOAD DEPTH (3", 4", 5", 6")
: FLANGE WIDTH (13/16", 1 1/4", 1 1/2", 1 3/4", 2")

30° VERTICAL ELBOW

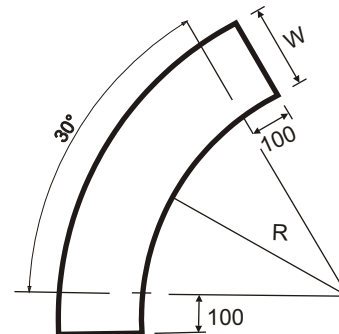
RADIUS "R"		WIDTH "W"	
inch	mm	inch	mm
12"	305	6"	152
12"	305	9"	229
12"	305	12"	305
12"	305	18"	457
12"	305	24"	610
12"	305	30"	762
12"	305	36"	914
24"	610	6"	152
24"	610	9"	229
24"	610	12"	305
24"	610	18"	457
24"	610	24"	610
24"	610	30"	762
24"	610	36"	914
36"	914	6"	152
36"	914	9"	229
36"	914	12"	305
36"	914	18"	457
36"	914	24"	610
36"	914	30"	762
36"	914	36"	914



INSIDE



OUTSIDE



CATALOG # :CL/SB/VE30°

CATALOG NUMBER

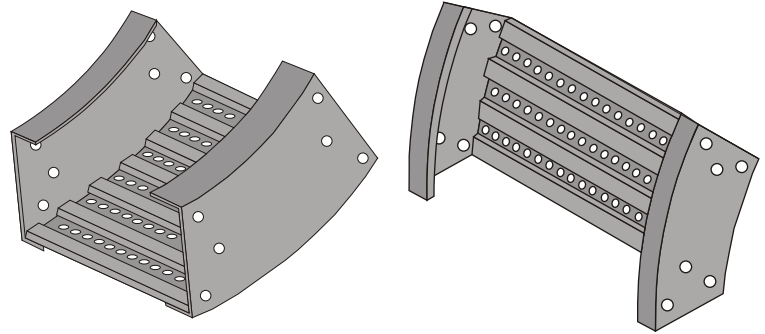
INSIDE		OUTSIDE	
ALUMINIUM	STEEL	ALUMINIUM	STEEL
CL/SB/VEI30°A/1206	CL/SB/VEI30°S/1206	CL/SB/VEO30°A/1206	CL/SB/VEO30°S/1206
CL/SB/VEI30°A/1209	CL/SB/VEI30°S/1209	CL/SB/VEO30°A/1209	CL/SB/VEO30°S/1209
CL/SB/VEI30°A/1212	CL/SB/VEI30°S/1212	CL/SB/VEO30°A/1212	CL/SB/VEO30°S/1212
CL/SB/VEI30°A/1218	CL/SB/VEI30°S/1218	CL/SB/VEO30°A/1218	CL/SB/VEO30°S/1218
CL/SB/VEI30°A/1224	CL/SB/VEI30°S/1224	CL/SB/VEO30°A/1224	CL/SB/VEO30°S/1224
CL/SB/VEI30°A/1230	CL/SB/VEI30°S/1230	CL/SB/VEO30°A/1230	CL/SB/VEO30°S/1230
CL/SB/VEI30°A/1236	CL/SB/VEI30°S/1236	CL/SB/VEO30°A/1236	CL/SB/VEO30°S/1236
CL/SB/VEI30°A/2406	CL/SB/VEI30°S/2406	CL/SB/VEO30°A/2406	CL/SB/VEO30°S/2406
CL/SB/VEI30°A/2409	CL/SB/VEI30°S/2409	CL/SB/VEO30°A/2409	CL/SB/VEO30°S/2409
CL/SB/VEI30°A/2412	CL/SB/VEI30°S/2412	CL/SB/VEO30°A/2412	CL/SB/VEO30°S/2412
CL/SB/VEI30°A/2418	CL/SB/VEI30°S/2418	CL/SB/VEO30°A/2418	CL/SB/VEO30°S/2418
CL/SB/VEI30°A/2424	CL/SB/VEI30°S/2424	CL/SB/VEO30°A/2424	CL/SB/VEO30°S/2424
CL/SB/VEI30°A/2430	CL/SB/VEI30°S/2430	CL/SB/VEO30°A/2430	CL/SB/VEO30°S/2430
CL/SB/VEI30°A/2436	CL/SB/VEI30°S/2436	CL/SB/VEO30°A/2436	CL/SB/VEO30°S/2436
CL/SB/VEI30°A/3606	CL/SB/VEI30°S/3606	CL/SB/VEO30°A/3606	CL/SB/VEO30°S/3606
CL/SB/VEI30°A/3609	CL/SB/VEI30°S/3609	CL/SB/VEO30°A/3609	CL/SB/VEO30°S/3609
CL/SB/VEI30°A/3612	CL/SB/VEI30°S/3612	CL/SB/VEO30°A/3612	CL/SB/VEO30°S/3612
CL/SB/VEI30°A/3618	CL/SB/VEI30°S/3618	CL/SB/VEO30°A/3618	CL/SB/VEO30°S/3618
CL/SB/VEI30°A/3624	CL/SB/VEI30°S/3624	CL/SB/VEO30°A/3624	CL/SB/VEO30°S/3624
CL/SB/VEI30°A/3630	CL/SB/VEI30°S/3630	CL/SB/VEO30°A/3630	CL/SB/VEO30°S/3630
CL/SB/VEI30°A/3636	CL/SB/VEI30°S/3636	CL/SB/VEO30°A/3636	CL/SB/VEO30°S/3636

ON ORDER ADD TO CATALOG #: LOAD DEPTH (3", 4", 5", 6")
: FLANGE WIDTH (13/16", 1 1/4", 1 3/4", 2")

SADENCO CABLE LADDER AND FITTINGS (VENTILLATED TYPE)

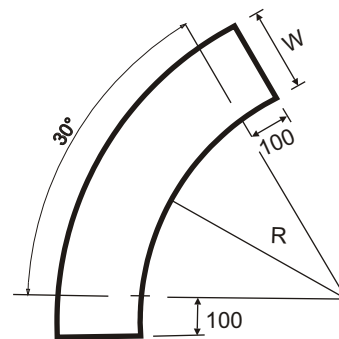
30° VERTICAL ELBOW

RADIUS "R"		WIDTH "W"	
inch	mm	inch	mm
12"	305	6"	152
12"	305	9"	229
12"	305	12"	305
12"	305	18"	457
12"	305	24"	610
12"	305	30"	762
12"	305	36"	914
24"	610	6"	152
24"	610	9"	229
24"	610	12"	305
24"	610	18"	457
24"	610	24"	610
24"	610	30"	762
24"	610	36"	914
36"	914	6"	152
36"	914	9"	229
36"	914	12"	305
36"	914	18"	457
36"	914	24"	610
36"	914	30"	762
36"	914	36"	914



INSIDE

OUTSIDE



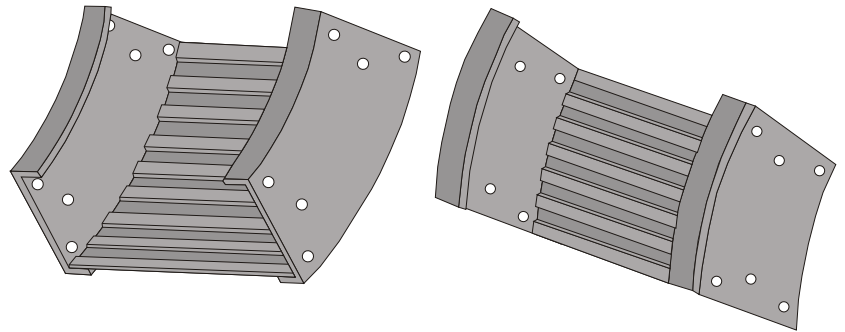
CATALOG # :CL/V/VE30°

CATALOG NUMBER			
INSIDE		OUTSIDE	
ALUMINIUM	STEEL	ALUMINIUM	STEEL
CL/V/VEI30°A/1206	CL/V/VEI30°S/1206	CL/V/VEO30°A/1206	CL/V/VEO30°S/1206
CL/V/VEI30°A/1209	CL/V/VEI30°S/1209	CL/V/VEO30°A/1209	CL/V/VEO30°S/1209
CL/V/VEI30°A/1212	CL/V/VEI30°S/1212	CL/V/VEO30°A/1212	CL/V/VEO30°S/1212
CL/V/VEI30°A/1218	CL/V/VEI30°S/1218	CL/V/VEO30°A/1218	CL/V/VEO30°S/1218
CL/V/VEI30°A/1224	CL/V/VEI30°S/1224	CL/V/VEO30°A/1224	CL/V/VEO30°S/1224
CL/V/VEI30°A/1230	CL/V/VEI30°S/1230	CL/V/VEO30°A/1230	CL/V/VEO30°S/1230
CL/V/VEI30°A/1236	CL/V/VEI30°S/1236	CL/V/VEO30°A/1236	CL/V/VEO30°S/1236
CL/V/VEI30°A/2406	CL/V/VEI30°S/2406	CL/V/VEO30°A/2406	CL/V/VEO30°S/2406
CL/V/VEI30°A/2409	CL/V/VEI30°S/2409	CL/V/VEO30°A/2409	CL/V/VEO30°S/2409
CL/V/VEI30°A/2412	CL/V/VEI30°S/2412	CL/V/VEO30°A/2412	CL/V/VEO30°S/2412
CL/V/VEI30°A/2418	CL/V/VEI30°S/2418	CL/V/VEO30°A/2418	CL/V/VEO30°S/2418
CL/V/VEI30°A/2424	CL/V/VEI30°S/2424	CL/V/VEO30°A/2424	CL/V/VEO30°S/2424
CL/V/VEI30°A/2430	CL/V/VEI30°S/2430	CL/V/VEO30°A/2430	CL/V/VEO30°S/2430
CL/V/VEI30°A/2436	CL/V/VEI30°S/2436	CL/V/VEO30°A/2436	CL/V/VEO30°S/2436
CL/V/VEI30°A/3606	CL/V/VEI30°S/3606	CL/V/VEO30°A/3606	CL/V/VEO30°S/3606
CL/V/VEI30°A/3609	CL/V/VEI30°S/3609	CL/V/VEO30°A/3609	CL/V/VEO30°S/3609
CL/V/VEI30°A/3612	CL/V/VEI30°S/3612	CL/V/VEO30°A/3612	CL/V/VEO30°S/3612
CL/V/VEI30°A/3618	CL/V/VEI30°S/3618	CL/V/VEO30°A/3618	CL/V/VEO30°S/3618
CL/V/VEI30°A/3624	CL/V/VEI30°S/3624	CL/V/VEO30°A/3624	CL/V/VEO30°S/3624
CL/V/VEI30°A/3630	CL/V/VEI30°S/3630	CL/V/VEO30°A/3630	CL/V/VEO30°S/3630
CL/V/VEI30°A/3636	CL/V/VEI30°S/3636	CL/V/VEO30°A/3636	CL/V/VEO30°S/3636

ON ORDER ADD TO CATALOG #: LOAD DEPTH (3", 4", 5", 6")
: FLANGE WIDTH (13/16", 1 1/4", 1 1/2", 1 3/4", 2")

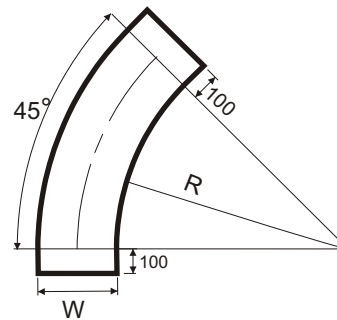
45° VERTICAL ELBOW

RADIUS "R"		WIDTH "W"	
inch	mm	inch	mm
12"	305	6"	152
12"	305	9"	229
12"	305	12"	305
12"	305	18"	457
12"	305	24"	610
12"	305	30"	762
12"	305	36"	914
24"	610	6"	152
24"	610	9"	229
24"	610	12"	305
24"	610	18"	457
24"	610	24"	610
24"	610	30"	762
24"	610	36"	914
36"	914	6"	152
36"	914	9"	229
36"	914	12"	305
36"	914	18"	457
36"	914	24"	610
36"	914	30"	762
36"	914	36"	914



INSIDE

OUTSIDE



CATALOG # :CL/SB/VE45°

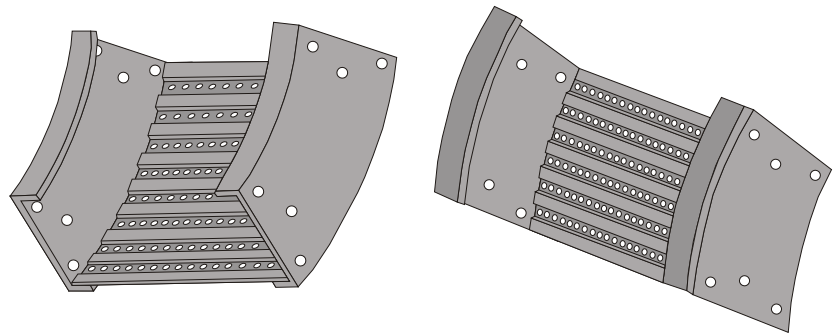
CATALOG NUMBER			
INSIDE		OUTSIDE	
ALUMINIUM	STEEL	ALUMINIUM	STEEL
CL/SB/VEI45°A/1206	CL/SB/VEI45°S/1206	CL/SB/VEO45°A/1206	CL/SB/VEO45°S/1206
CL/SB/VEI45°A/1209	CL/SB/VEI45°S/1209	CL/SB/VEO45°A/1209	CL/SB/VEO45°S/1209
CL/SB/VEI45°A/1212	CL/SB/VEI45°S/1212	CL/SB/VEO45°A/1212	CL/SB/VEO45°S/1212
CL/SB/VEI45°A/1218	CL/SB/VEI45°S/1218	CL/SB/VEO45°A/1218	CL/SB/VEO45°S/1218
CL/SB/VEI45°A/1224	CL/SB/VEI45°S/1224	CL/SB/VEO45°A/1224	CL/SB/VEO45°S/1224
CL/SB/VEI45°A/1230	CL/SB/VEI45°S/1230	CL/SB/VEO45°A/1230	CL/SB/VEO45°S/1230
CL/SB/VEI45°A/1236	CL/SB/VEI45°S/1236	CL/SB/VEO45°A/1236	CL/SB/VEO45°S/1236
CL/SB/VEI45°A/2406	CL/SB/VEI45°S/2406	CL/SB/VEO45°A/2406	CL/SB/VEO45°S/2406
CL/SB/VEI45°A/2409	CL/SB/VEI45°S/2409	CL/SB/VEO45°A/2409	CL/SB/VEO45°S/2409
CL/SB/VEI45°A/2412	CL/SB/VEI45°S/2412	CL/SB/VEO45°A/2412	CL/SB/VEO45°S/2412
CL/SB/VEI45°A/2418	CL/SB/VEI45°S/2418	CL/SB/VEO45°A/2418	CL/SB/VEO45°S/2418
CL/SB/VEI45°A/2424	CL/SB/VEI45°S/2424	CL/SB/VEO45°A/2424	CL/SB/VEO45°S/2424
CL/SB/VEI45°A/2430	CL/SB/VEI45°S/2430	CL/SB/VEO45°A/2430	CL/SB/VEO45°S/2430
CL/SB/VEI45°A/2436	CL/SB/VEI45°S/2436	CL/SB/VEO45°A/2436	CL/SB/VEO45°S/2436
CL/SB/VEI45°A/3606	CL/SB/VEI45°S/3606	CL/SB/VEO45°A/3606	CL/SB/VEO45°S/3606
CL/SB/VEI45°A/3609	CL/SB/VEI45°S/3609	CL/SB/VEO45°A/3609	CL/SB/VEO45°S/3609
CL/SB/VEI45°A/3612	CL/SB/VEI45°S/3612	CL/SB/VEO45°A/3612	CL/SB/VEO45°S/3612
CL/SB/VEI45°A/3618	CL/SB/VEI45°S/3618	CL/SB/VEO45°A/3618	CL/SB/VEO45°S/3618
CL/SB/VEI45°A/3624	CL/SB/VEI45°S/3624	CL/SB/VEO45°A/3624	CL/SB/VEO45°S/3624
CL/SB/VEI45°A/3630	CL/SB/VEI45°S/3630	CL/SB/VEO45°A/3630	CL/SB/VEO45°S/3630
CL/SB/VEI45°A/3636	CL/SB/VEI45°S/3636	CL/SB/VEO45°A/3636	CL/SB/VEO45°S/3636

ON ORDER ADD TO CATALOG #: LOAD DEPTH (3", 4", 5", 6")
: FLANGE WIDTH (13/16", 1 1/4", 1 1/2", 1 3/4", 2")

SADENCO CABLE LADDER AND FITTINGS (VENTILATED TYPE)

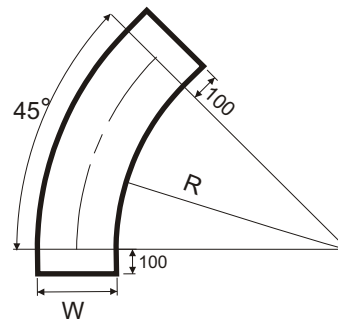
45° VERTICAL ELBOW

RADIUS "R"		WIDTH "W"	
inch	mm	inch	mm
12"	305	6"	152
12"	305	9"	229
12"	305	12"	305
12"	305	18"	457
12"	305	24"	610
12"	305	30"	762
12"	305	36"	914
24"	610	6"	152
24"	610	9"	229
24"	610	12"	305
24"	610	18"	457
24"	610	24"	610
24"	610	30"	762
24"	610	36"	914
36"	914	6"	152
36"	914	9"	229
36"	914	12"	305
36"	914	18"	457
36"	914	24"	610
36"	914	30"	762
36"	914	36"	914



INSIDE

OUTSIDE



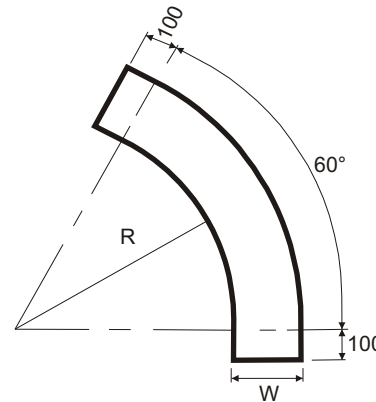
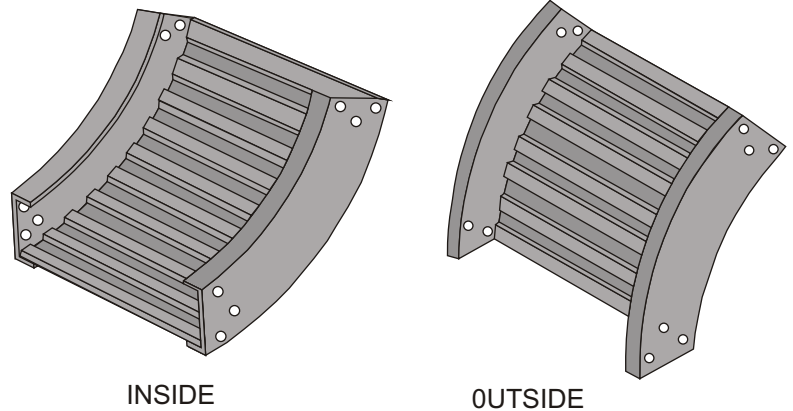
CATALOG # :CL/V/E45°

CATALOG NUMBER			
INSIDE		OUTSIDE	
ALUMINIUM	STEEL	ALUMINIUM	STEEL
CL/V/VEI45°A/1206	CL/V/VEI45°S/1206	CL/V/VEO45°A/1206	CL/V/VEO45°S/1206
CL/V/VEI45°A/1209	CL/V/VEI45°S/1209	CL/V/VEO45°A/1209	CL/V/VEO45°S/1209
CL/V/VEI45°A/1212	CL/V/VEI45°S/1212	CL/V/VEO45°A/1212	CL/V/VEO45°S/1212
CL/V/VEI45°A/1218	CL/V/VEI45°S/1218	CL/V/VEO45°A/1218	CL/V/VEO45°S/1218
CL/V/VEI45°A/1224	CL/V/VEI45°S/1224	CL/V/VEO45°A/1224	CL/V/VEO45°S/1224
CL/V/VEI45°A/1230	CL/V/VEI45°S/1230	CL/V/VEO45°A/1230	CL/V/VEO45°S/1230
CL/V/VEI45°A/1236	CL/V/VEI45°S/1236	CL/V/VEO45°A/1236	CL/V/VEO45°S/1236
CL/V/VEI45°A/2406	CL/V/VEI45°S/2406	CL/V/VEO45°A/2406	CL/V/VEO45°S/2406
CL/V/VEI45°A/2409	CL/V/VEI45°S/2409	CL/V/VEO45°A/2409	CL/V/VEO45°S/2409
CL/V/VEI45°A/2412	CL/V/VEI45°S/2412	CL/V/VEO45°A/2412	CL/V/VEO45°S/2412
CL/V/VEI45°A/2418	CL/V/VEI45°S/2418	CL/V/VEO45°A/2418	CL/V/VEO45°S/2418
CL/V/VEI45°A/2424	CL/V/VEI45°S/2424	CL/V/VEO45°A/2424	CL/V/VEO45°S/2424
CL/V/VEI45°A/2430	CL/V/VEI45°S/2430	CL/V/VEO45°A/2430	CL/V/VEO45°S/2430
CL/V/VEI45°A/2436	CL/V/VEI45°S/2436	CL/V/VEO45°A/2436	CL/V/VEO45°S/2436
CL/V/VEI45°A/3606	CL/V/VEI45°S/3606	CL/V/VEO45°A/3606	CL/V/VEO45°S/3606
CL/V/VEI45°A/3609	CL/V/VEI45°S/3609	CL/V/VEO45°A/3609	CL/V/VEO45°S/3609
CL/V/VEI45°A/3612	CL/V/VEI45°S/3612	CL/V/VEO45°A/3612	CL/V/VEO45°S/3612
CL/V/VEI45°A/3618	CL/V/VEI45°S/3618	CL/V/VEO45°A/3618	CL/V/VEO45°S/3618
CL/V/VEI45°A/3624	CL/V/VEI45°S/3624	CL/V/VEO45°A/3624	CL/V/VEO45°S/3624
CL/V/VEI45°A/3630	CL/V/VEI45°S/3630	CL/V/VEO45°A/3630	CL/V/VEO45°S/3630
CL/V/VEI45°A/3636	CL/V/VEI45°S/3636	CL/V/VEO45°A/3636	CL/V/VEO45°S/3636

ON ORDER ADD TO CATALOG #: LOAD DEPTH (3", 4", 5", 6")
 : FLANGE WIDTH (13/16", 1 1/4", 1 1/2", 1 3/4", 2")

60° VERTICAL ELBOW

RADIUS "R"		WIDTH "W"	
inch	mm	inch	mm
12"	305	6"	152
12"	305	9"	229
12"	305	12"	305
12"	305	18"	457
12"	305	24"	610
12"	305	30"	762
12"	305	36"	914
24"	610	6"	152
24"	610	9"	229
24"	610	12"	305
24"	610	18"	457
24"	610	24"	610
24"	610	30"	762
24"	610	36"	914
36"	914	6"	152
36"	914	9"	229
36"	914	12"	305
36"	914	18"	457
36"	914	24"	610
36"	914	30"	762
36"	914	36"	914



CATALOG # :CL/SB/VE60°

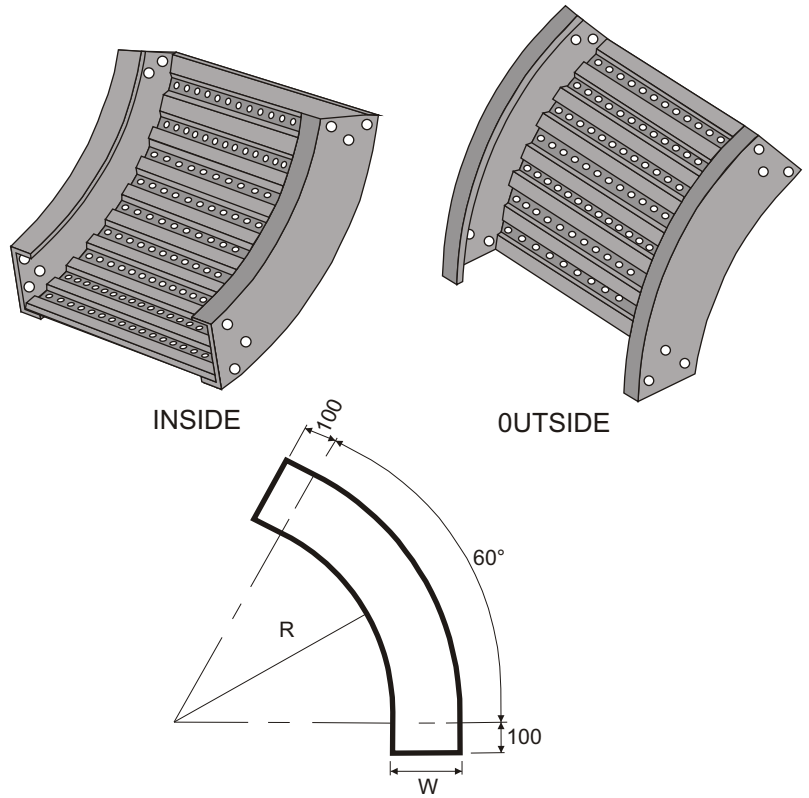
CATALOG NUMBER			
INSIDE		OUTSIDE	
ALUMINIUM	STEEL	ALUMINIUM	STEEL
CL/SB/VEI60°A/1206	CL/SB/VEI60°S/1206	CL/SB/VEO60°A/1206	CL/SB/VEO60°S/1206
CL/SB/VEI60°A/1209	CL/SB/VEI60°S/1209	CL/SB/VEO60°A/1209	CL/SB/VEO60°S/1209
CL/SB/VEI60°A/1212	CL/SB/VEI60°S/1212	CL/SB/VEO60°A/1212	CL/SB/VEO60°S/1212
CL/SB/VEI60°A/1218	CL/SB/VEI60°S/1218	CL/SB/VEO60°A/1218	CL/SB/VEO60°S/1218
CL/SB/VEI60°A/1224	CL/SB/VEI60°S/1224	CL/SB/VEO60°A/1224	CL/SB/VEO60°S/1224
CL/SB/VEI60°A/1230	CL/SB/VEI60°S/1230	CL/SB/VEO60°A/1230	CL/SB/VEO60°S/1230
CL/SB/VEI60°A/1236	CL/SB/VEI60°S/1236	CL/SB/VEO60°A/1236	CL/SB/VEO60°S/1236
CL/SB/VEI60°A/2406	CL/SB/VEI60°S/2406	CL/SB/VEO60°A/2406	CL/SB/VEO60°S/2406
CL/SB/VEI60°A/2409	CL/SB/VEI60°S/2409	CL/SB/VEO60°A/2409	CL/SB/VEO60°S/2409
CL/SB/VEI60°A/2412	CL/SB/VEI60°S/2412	CL/SB/VEO60°A/2412	CL/SB/VEO60°S/2412
CL/SB/VEI60°A/2418	CL/SB/VEI60°S/2418	CL/SB/VEO60°A/2418	CL/SB/VEO60°S/2418
CL/SB/VEI60°A/2424	CL/SB/VEI60°S/2424	CL/SB/VEO60°A/2424	CL/SB/VEO60°S/2424
CL/SB/VEI60°A/2430	CL/SB/VEI60°S/2430	CL/SB/VEO60°A/2430	CL/SB/VEO60°S/2430
CL/SB/VEI60°A/2436	CL/SB/VEI60°S/2436	CL/SB/VEO60°A/2436	CL/SB/VEO60°S/2436
CL/SB/VEI60°A/3606	CL/SB/VEI60°S/3606	CL/SB/VEO60°A/3606	CL/SB/VEO60°S/3606
CL/SB/VEI60°A/3609	CL/SB/VEI60°S/3609	CL/SB/VEO60°A/3609	CL/SB/VEO60°S/3609
CL/SB/VEI60°A/3612	CL/SB/VEI60°S/3612	CL/SB/VEO60°A/3612	CL/SB/VEO60°S/3612
CL/SB/VEI60°A/3618	CL/SB/VEI60°S/3618	CL/SB/VEO60°A/3618	CL/SB/VEO60°S/3618
CL/SB/VEI60°A/3624	CL/SB/VEI60°S/3624	CL/SB/VEO60°A/3624	CL/SB/VEO60°S/3624
CL/SB/VEI60°A/3630	CL/SB/VEI60°S/3630	CL/SB/VEO60°A/3630	CL/SB/VEO60°S/3630
CL/SB/VEI60°A/3636	CL/SB/VEI60°S/3636	CL/SB/VEO60°A/3636	CL/SB/VEO60°S/3636

ON ORDER ADD TO CATALOG #: LOAD DEPTH (3", 4", 5", 6")
: FLANGE WIDTH (13/16", 1 1/4", 1 1/2", 1 3/4", 2")

SADENCO CABLE LADDER AND FITTINGS (VENTILLATED TYPE)

60° VERTICAL ELBOW

RADIUS "R"		WIDTH "W"	
inch	mm	inch	mm
12"	305	6"	152
12"	305	9"	229
12"	305	12"	305
12"	305	18"	457
12"	305	24"	610
12"	305	30"	762
12"	305	36"	914
24"	610	6"	152
24"	610	9"	229
24"	610	12"	305
24"	610	18"	457
24"	610	24"	610
24"	610	30"	762
24"	610	36"	914
36"	914	6"	152
36"	914	9"	229
36"	914	12"	305
36"	914	18"	457
36"	914	24"	610
36"	914	30"	762
36"	914	36"	914



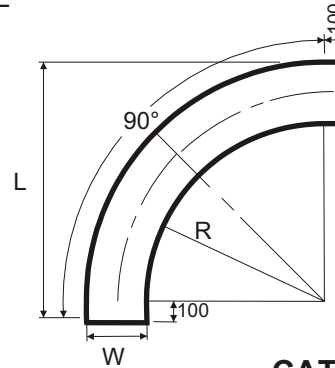
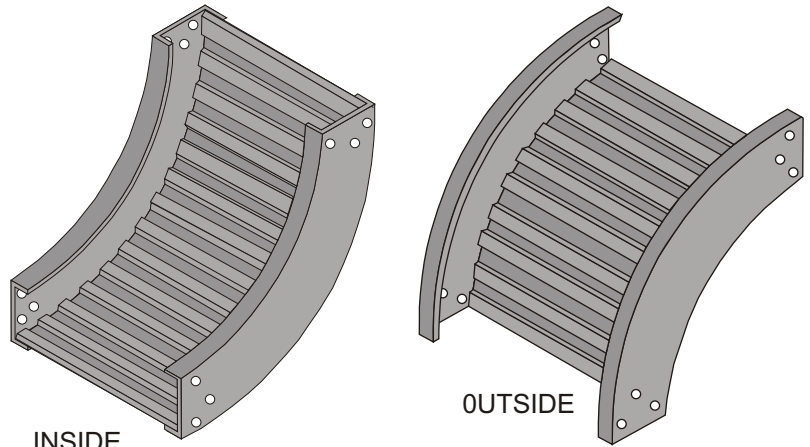
CATALOG # :CL/V/VE60°

CATALOG NUMBER			
INSIDE		OUTSIDE	
ALUMINIUM	STEEL	ALUMINIUM	STEEL
CL/V/VEI60°A/1206	CL/V/VEI60°S/1206	CL/V/VEO60°A/1206	CL/V/VEO60°S/1206
CL/V/VEI60°A/1209	CL/V/VEI60°S/1209	CL/V/VEO60°A/1209	CL/V/VEO60°S/1209
CL/V/VEI60°A/1212	CL/V/VEI60°S/1212	CL/V/VEO60°A/1212	CL/V/VEO60°S/1212
CL/V/VEI60°A/1218	CL/V/VEI60°S/1218	CL/V/VEO60°A/1218	CL/V/VEO60°S/1218
CL/V/VEI60°A/1224	CL/V/VEI60°S/1224	CL/V/VEO60°A/1224	CL/V/VEO60°S/1224
CL/V/VEI60°A/1230	CL/V/VEI60°S/1230	CL/V/VEO60°A/1230	CL/V/VEO60°S/1230
CL/V/VEI60°A/1236	CL/V/VEI60°S/1236	CL/V/VEO60°A/1236	CL/V/VEO60°S/1236
CL/V/VEI60°A/2406	CL/V/VEI60°S/2406	CL/V/VEO60°A/2406	CL/V/VEO60°S/2406
CL/V/VEI60°A/2409	CL/V/VEI60°S/2409	CL/V/VEO60°A/2409	CL/V/VEO60°S/2409
CL/V/VEI60°A/2412	CL/V/VEI60°S/2412	CL/V/VEO60°A/2412	CL/V/VEO60°S/2412
CL/V/VEI60°A/2418	CL/V/VEI60°S/2418	CL/V/VEO60°A/2418	CL/V/VEO60°S/2418
CL/V/VEI60°A/2424	CL/V/VEI60°S/2424	CL/V/VEO60°A/2424	CL/V/VEO60°S/2424
CL/V/VEI60°A/2430	CL/V/VEI60°S/2430	CL/V/VEO60°A/2430	CL/V/VEO60°S/2430
CL/V/VEI60°A/2436	CL/V/VEI60°S/2436	CL/V/VEO60°A/2436	CL/V/VEO60°S/2436
CL/V/VEI60°A/3606	CL/V/VEI60°S/3606	CL/V/VEO60°A/3606	CL/V/VEO60°S/3606
CL/V/VEI60°A/3609	CL/V/VEI60°S/3609	CL/V/VEO60°A/3609	CL/V/VEO60°S/3609
CL/V/VEI60°A/3612	CL/V/VEI60°S/3612	CL/V/VEO60°A/3612	CL/V/VEO60°S/3612
CL/V/VEI60°A/3618	CL/V/VEI60°S/3618	CL/V/VEO60°A/3618	CL/V/VEO60°S/3618
CL/V/VEI60°A/3624	CL/V/VEI60°S/3624	CL/V/VEO60°A/3624	CL/V/VEO60°S/3624
CL/V/VEI60°A/3630	CL/V/VEI60°S/3630	CL/V/VEO60°A/3630	CL/V/VEO60°S/3630
CL/V/VEI60°A/3636	CL/V/VEI60°S/3636	CL/V/VEO60°A/3636	CL/V/VEO60°S/3636

ON ORDER ADD TO CATALOG #: LOAD DEPTH (3", 4", 5", 6")
: FLANGE WIDTH (13/16", 1 1/4", 1 1/2", 1 3/4", 2")

90° VERTICAL ELBOW

RADIUS "R"		WIDTH "W"	
inch	mm	inch	mm
12"	305	6"	152
12"	305	9"	229
12"	305	12"	305
12"	305	18"	457
12"	305	24"	610
12"	305	30"	762
12"	305	36"	914
24"	610	6"	152
24"	610	9"	229
24"	610	12"	605
24"	610	18"	457
24"	610	24"	610
24"	610	30"	762
24"	610	36"	914
36"	914	6"	152
36"	914	9"	229
36"	914	12"	305
36"	914	18"	457
36"	914	24"	610
36"	914	30"	762
36"	914	36"	914



CATALOG # :CL/SB/VE90°

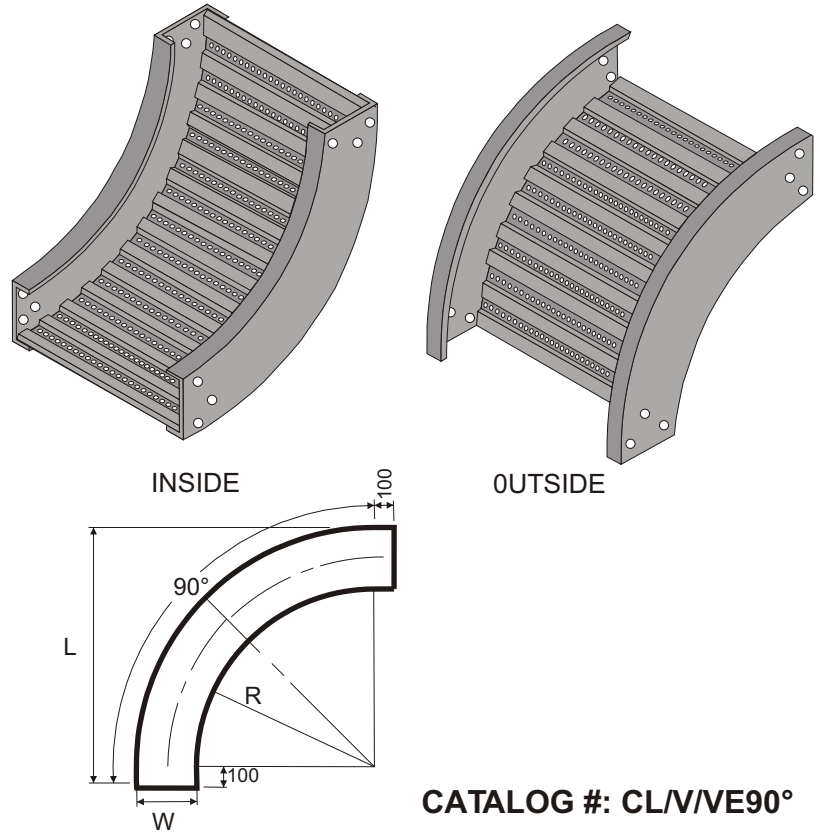
CATALOG NUMBER			
INSIDE		OUTSIDE	
ALUMINIUM	STEEL	ALUMINIUM	STEEL
CL/SB/VEI90°A/1206	CL/SB/VEI90°S/1206	CL/SB/VEO90°A/1206	CL/SB/VEO90°S/1206
CL/SB/VEI90°A/1209	CL/SB/VEI90°S/1209	CL/SB/VEO90°A/1209	CL/SB/VEO90°S/1209
CL/SB/VEI90°A/1212	CL/SB/VEI90°S/1212	CL/SB/VEO90°A/1212	CL/SB/VEO90°S/1212
CL/SB/VEI90°A/1218	CL/SB/VEI90°S/1218	CL/SB/VEO90°A/1218	CL/SB/VEO90°S/1218
CL/SB/VEI90°A/1224	CL/SB/VEI90°S/1224	CL/SB/VEO90°A/1224	CL/SB/VEO90°S/1224
CL/SB/VEI90°A/1230	CL/SB/VEI90°S/1230	CL/SB/VEO90°A/1230	CL/SB/VEO90°S/1230
CL/SB/VEI90°A/1236	CL/SB/VEI90°S/1236	CL/SB/VEO90°A/1236	CL/SB/VEO90°S/1236
CL/SB/VEI90°A/2406	CL/SB/VEI90°S/2406	CL/SB/VEO90°A/2406	CL/SB/VEO90°S/2406
CL/SB/VEI90°A/2409	CL/SB/VEI90°S/2409	CL/SB/VEO90°A/2409	CL/SB/VEO90°S/2409
CL/SB/VEI90°A/2412	CL/SB/VEI90°S/2412	CL/SB/VEO90°A/2412	CL/SB/VEO90°S/2412
CL/SB/VEI90°A/2418	CL/SB/VEI90°S/2418	CL/SB/VEO90°A/2418	CL/SB/VEO90°S/2418
CL/SB/VEI90°A/2424	CL/SB/VEI90°S/2424	CL/SB/VEO90°A/2424	CL/SB/VEO90°S/2424
CL/SB/VEI90°A/2430	CL/SB/VEI90°S/2430	CL/SB/VEO90°A/2430	CL/SB/VEO90°S/2430
CL/SB/VEI90°A/2436	CL/SB/VEI90°S/2436	CL/SB/VEO90°A/2436	CL/SB/VEO90°S/2436
CL/SB/VEI90°A/3606	CL/SB/VEI90°S/3606	CL/SB/VEO90°A/3606	CL/SB/VEO90°S/3606
CL/SB/VEI90°A/3609	CL/SB/VEI90°S/3609	CL/SB/VEO90°A/3609	CL/SB/VEO90°S/3609
CL/SB/VEI90°A/3612	CL/SB/VEI90°S/3612	CL/SB/VEO90°A/3612	CL/SB/VEO90°S/3612
CL/SB/VEI90°A/3618	CL/SB/VEI90°S/3618	CL/SB/VEO90°A/3618	CL/SB/VEO90°S/3618
CL/SB/VEI90°A/3624	CL/SB/VEI90°S/3624	CL/SB/VEO90°A/3624	CL/SB/VEO90°S/3624
CL/SB/VEI90°A/3630	CL/SB/VEI90°S/3630	CL/SB/VEO90°A/3630	CL/SB/VEO90°S/3630
CL/SB/VEI90°A/3636	CL/SB/VEI90°S/3636	CL/SB/VEO90°A/3636	CL/SB/VEO90°S/3636

ON ORDER ADD TO CATALOG #: LOAD DEPTH (3", 4", 5", 6")
: FLANGE WIDTH (13/16", 1 1/4", 1 1/2", 1 3/4", 2")

SADENCO CABLE LADDER AND FITTINGS (VENTILLATED TYPE)

90° VERTICAL ELBOW

RADIUS "R"		WIDTH "W"	
inch	mm	inch	mm
12"	305	6"	152
12"	305	9"	229
12"	305	12"	305
12"	305	18"	457
12"	305	24"	610
12"	305	30"	762
12"	305	36"	914
24"	610	6"	152
24"	610	9"	229
24"	610	12"	305
24"	610	18"	457
24"	610	24"	610
24"	610	30"	762
24"	610	36"	914
36"	914	6"	152
36"	914	9"	229
36"	914	12"	305
36"	914	18"	457
36"	914	24"	610
36"	914	30"	762
36"	914	36"	914

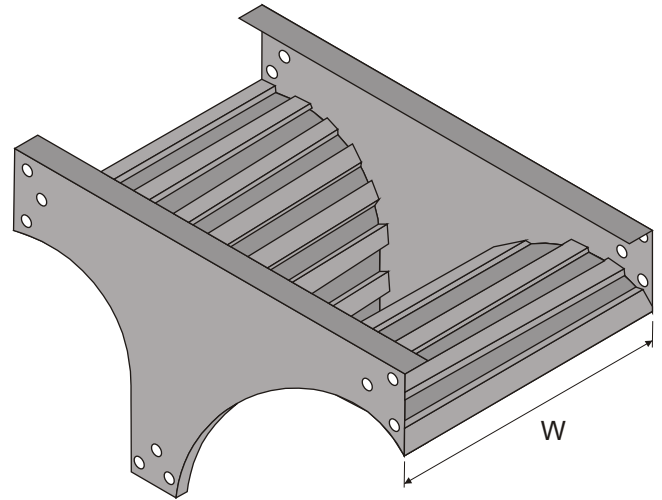
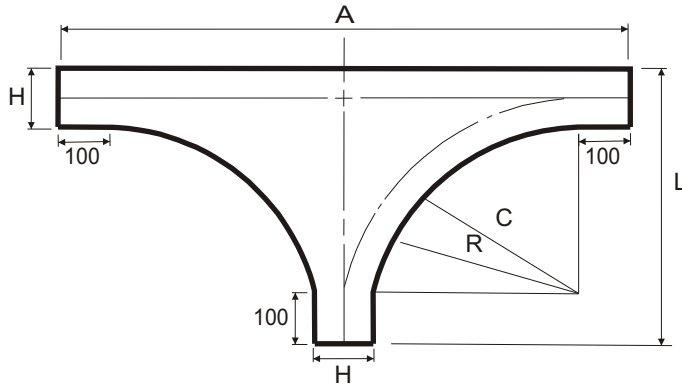


CATALOG #: CL/V/VE90°

CATALOG NUMBER			
INSIDE		OUTSIDE	
ALUMINIUM	STEEL	ALUMINIUM	STEEL
CL/V/VEI90°A/1206	CL/V/VEI90°S/1206	CL/V/VEO90°A/1206	CL/V/VEO90°S/1206
CL/V/VEI90°A/1209	CL/V/VEI90°S/1209	CL/V/VEO90°A/1209	CL/V/VEO90°S/1209
CL/V/VEI90°A/1212	CL/V/VEI90°S/1212	CL/V/VEO90°A/1212	CL/V/VEO90°S/1212
CL/V/VEI90°A/1218	CL/V/VEI90°S/1218	CL/V/VEO90°A/1218	CL/V/VEO90°S/1218
CL/V/VEI90°A/1224	CL/V/VEI90°S/1224	CL/V/VEO90°A/1224	CL/V/VEO90°S/1224
CL/V/VEI90°A/1230	CL/V/VEI90°S/1230	CL/V/VEO90°A/1230	CL/V/VEO90°S/1230
CL/V/VEI90°A/1236	CL/V/VEI90°S/1236	CL/V/VEO90°A/1236	CL/V/VEO90°S/1236
CL/V/VEI90°A/2406	CL/V/VEI90°S/2406	CL/V/VEO90°A/2406	CL/V/VEO90°S/2406
CL/V/VEI90°A/2409	CL/V/VEI90°S/2409	CL/V/VEO90°A/2409	CL/V/VEO90°S/2409
CL/V/VEI90°A/2412	CL/V/VEI90°S/2412	CL/V/VEO90°A/2412	CL/V/VEO90°S/2412
CL/V/VEI90°A/2418	CL/V/VEI90°S/2418	CL/V/VEO90°A/2418	CL/V/VEO90°S/2418
CL/V/VEI90°A/2424	CL/V/VEI90°S/2424	CL/V/VEO90°A/2424	CL/V/VEO90°S/2424
CL/V/VEI90°A/2430	CL/V/VEI90°S/2430	CL/V/VEO90°A/2430	CL/V/VEO90°S/2430
CL/V/VEI90°A/2436	CL/V/VEI90°S/2436	CL/V/VEO90°A/2436	CL/V/VEO90°S/2436
CL/V/VEI90°A/3606	CL/V/VEI90°S/3606	CL/V/VEO90°A/3606	CL/V/VEO90°S/3606
CL/V/VEI90°A/3609	CL/V/VEI90°S/3609	CL/V/VEO90°A/3609	CL/V/VEO90°S/3609
CL/V/VEI90°A/3612	CL/V/VEI90°S/3612	CL/V/VEO90°A/3612	CL/V/VEO90°S/3612
CL/V/VEI90°A/3618	CL/V/VEI90°S/3618	CL/V/VEO90°A/3618	CL/V/VEO90°S/3618
CL/V/VEI90°A/3624	CL/V/VEI90°S/3624	CL/V/VEO90°A/3624	CL/V/VEO90°S/3624
CL/V/VEI90°A/3630	CL/V/VEI90°S/3630	CL/V/VEO90°A/3630	CL/V/VEO90°S/3630
CL/V/VEI90°A/3636	CL/V/VEI90°S/3636	CL/V/VEO90°A/3636	CL/V/VEO90°S/3636

ON ORDER ADD TO CATALOG #: LOAD DEPTH (3", 4", 5", 6")
: FLANGE WIDTH (13/16", 1 1/4", 1/2" 1 3/4", 2")

VERTICAL TEE



CATALOG # : CL/SB/VT

CATALOG NUMBER		DIMENSIONS						RADIUS "R"		HEIGHT "H"	
		L		A		C					
ALUMINIUM	STEEL	inch	mm	inch	mm	Inch	mm	inch	mm	inch	mm
CL/SB/VT/A/18	CL/SB/VT/S/18	19.25"	489	34.25"	870	14.125"	359	12"	305	4 1/4"	108
CL/SB/VT/A/28	CL/SB/VT/S/28	31.25"	794	58.25"	1479	26.125"	664	24"	610	4 1/4"	108
CL/SB/VT/A/38	CL/SB/VT/S/38	43.25"	1098	82.25"	2089	38.125"	968	36"	914	4 1/4"	108
CL/SB/VT/A/13	CL/SB/VT/S/13	20.25"	514	35.25"	895	14.625"	371	12"	305	5 1/4"	133
CL/SB/VT/A/23	CL/SB/VT/S/23	32.35"	819	59.25"	1505	26.625"	676	24"	610	5 1/4"	133
CL/SB/VT/A/33	CL/SB/VT/S/33	44.25"	1124	83.25"	22114	38.625"	981	36"	914	5 1/4"	133
CL/SB/VT/A/19	CL/SB/VT/S/19	27"	686	36.25"	1342	30"	762	12"	305	6 1/4"	159
CL/SB/VT/A/29	CL/SB/VT/S/29	28.5"	7224	60.25"	1448	33"	838	24"	610	6 1/4"	159
CL/SB/VT/A/39	CL/SB/VT/S/39	30"	762	84.25"	1524	36"	914	36"	914	6 1/4"	159
CL/SB/VT/A/14	CL/SB/VT/S/14	22.25	565	37.25"	946	15.625"	397	12"	305	7 1/4"	184
CL/SB/VT/A/24	CL/SB/VT/S/24	34.25"	870	61.25"	1555	27.625"	702	24"	610	7 1/4"	184
CL/SB/VT/A/34	CL/SB/VT/S/34	46.25"	1175	85.25"	2165	39.625"	1006	36"	914	7 1/4"	184

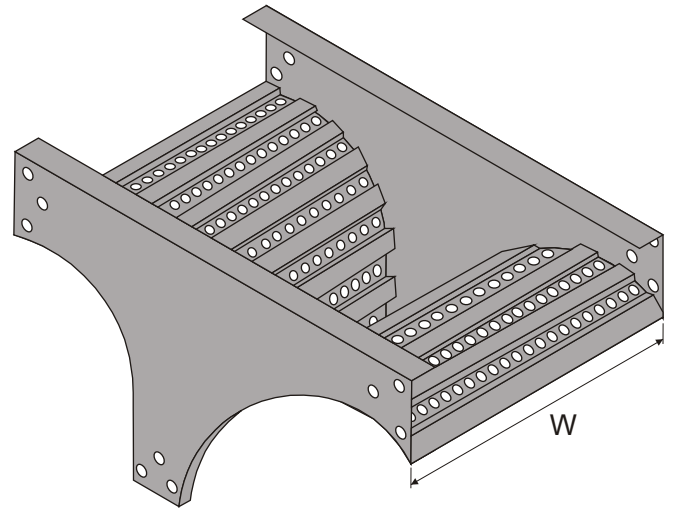
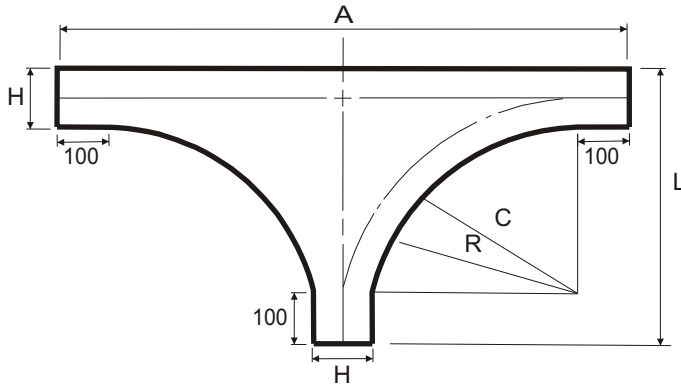
ON ORDER ADD TO CATALOG #: LOAD DEPTH (3", 4", 5", 6")
 : FLANGE WIDTH (13/16", 1 1/4", 1 1/2", 1 3/4", 2")

W= width in inches:

- Use 06 for 6" w
- 06 for 9" w
- 12 for 12" w
- 18 for 18" w
- 24 for 24" w
- 30 for 30" w
- 36 for 36" w

SADENCO CABLE LADDER AND FITTINGS (VENTILLATED TYPE)

VERTICAL TEE



CATALOG # : CL/V/VT

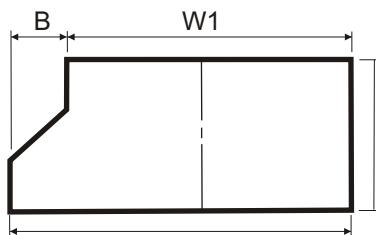
CATALOG NUMBER		DIMENSIONS						RADIUS "R"		HEIGHT "H"	
		L		A		C					
ALUMINIUM	STEEL	inch	mm	inch	mm	Inch	mm	inch	mm	inch	mm
CL/V/VT/A/18	CL/V/VT/S/18	19.25"	489	34.25"	870	14.125"	359	12"	305	4 1/4"	108
CL/V/VT/A/28	CL/V/VT/S/28	31.25"	794	58.25"	1479	26.125"	664	24"	610	4 1/4"	108
CL/V/VT/A/38	CL/V/VT/S/38	43.25"	1098	82.25"	2089	38.125"	968	36"	914	4 1/4"	108
CL/V/VT/A/13	CL/V/VT/S/13	20.25"	514	35.25"	895	14.625"	371	12"	305	5 1/4"	133
CL/V/VT/A/23	CL/V/VT/S/23	32.35"	819	59.25"	1505	26.625"	676	24"	610	5 1/4"	133
CL/V/VT/A/33	CL/V/VT/S/33	44.25"	1124	83.25"	22114	38.625"	981	36"	914	5 1/4"	133
CL/V/VT/A/19	CL/V/VT/S/19	27"	686	36.25"	1342	30"	762	12"	305	6 1/4"	159
CL/V/VT/A/29	CL/V/VT/S/29	28.5"	7224	60.25"	1448	33"	838	24"	610	6 1/4"	159
CL/V/VT/A/39	CL/V/VT/S/39	30"	762	84.25"	1524	36"	914	36"	914	6 1/4"	159
CL/V/VT/A/14	CL/V/VT/S/14	22.25	565	37.25"	946	15.625"	397	12"	305	7 1/4"	184
CL/V/VT/A/24	CL/V/VT/S/24	34.25"	870	61.25"	1555	27.625"	702	24"	610	7 1/4"	184
CL/V/VT/A/34	CL/V/VT/S/34	46.25"	1175	85.25"	2165	39.625"	1006	36"	914	7 1/4"	184

ON ORDER ADD TO CATALOG #: LOAD DEPTH (3", 4", 5", 6")
: FLANGE WIDTH (13/16", 1 1/4", 1 1/2", 1 3/4", 2")

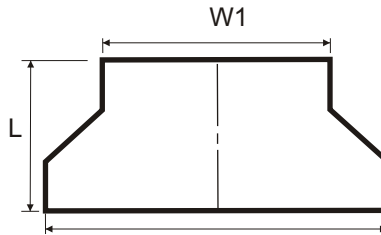
W= width in inches:

- Use 06 for 6" w
- 06 for 9" w
- 12 for 12" w
- 18 for 18" w
- 24 for 24" w
- 30 for 30" w
- 36 for 36" w

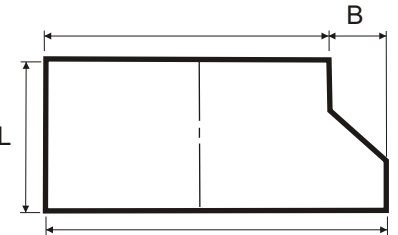
REDUCER



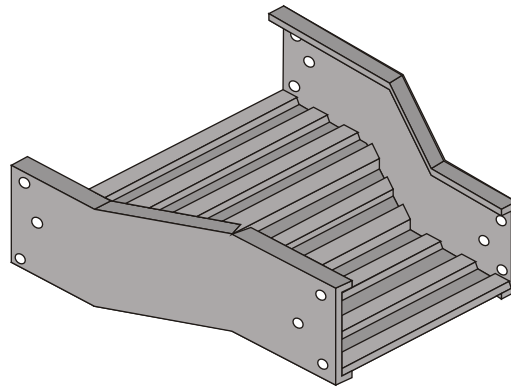
Right Hand (CL/SB/RHR)



Straight (CL/SB/SR)



Left Hand (CL/SB/LHR)



CATALOG #: CL/SB/SR

CATALOG NUMBER		DIMENSIONS		WIDTH			
		B		W		W1	
ALUMINIUM	STEEL	inch	mm	inch	mm	inch	mm
CL/SB/SR/A/3630	CL/SB/SR/S/3630	6	152	36	914	30	762
CL/SB/SR/A/3624	CL/SB/SR/S/3624	12	305	36	914	24	610
CL/SB/SR/A/3618	CL/SB/SR/S/3618	18	457	36	914	18	457
CL/SB/SR/A/3612	CL/SB/SR/S/3612	24	610	36	914	12	305
CL/SB/SR/A/3609	CL/SB/SR/S/3609	27	686	36	914	09	229
CL/SB/SR/A/3606	CL/SB/SR/S/3606	30	762	36	914	06	152
CL/SB/SR/A/3024	CL/SB/SR/S/3024	6	152	30	762	24	610
CL/SB/SR/A/3018	CL/SB/SR/S/3018	12	305	30	762	18	457
CL/SB/SR/A/3012	CL/SB/SR/S/3012	18	457	30	762	12	305
CL/SB/SR/A/3009	CL/SB/SR/S/3009	21	533	30	762	09	229
CL/SB/SR/A/3006	CL/SB/SR/S/3006	24	610	30	762	06	152
CL/SB/SR/A/2418	CL/SB/SR/S/2418	6	152	24	610	18	457
CL/SB/SR/A/2412	CL/SB/SR/S/2412	12	305	24	610	12	305
CL/SB/SR/A/2409	CL/SB/SR/S/2409	15	381	24	610	09	229
CL/SB/SR/A/2406	CL/SB/SR/S/2406	18	457	24	610	06	152
CL/SB/SR/A/1812	CL/SB/SR/S/1812	6	152	18	457	12	305
CL/SB/SR/A/1809	CL/SB/SR/S/1809	9	229	18	457	09	229
CL/SB/SR/A/1806	CL/SB/SR/S/1806	12	305	18	457	06	152
CL/SB/SR/A/1209	CL/SB/SR/S/1209	3	76	12	305	09	229
CL/SB/SR/A/1206	CL/SB/SR/S/1206	6	152	12	305	06	152
CL/SB/SR/A/0906	CL/SB/SR/S/0906	3	76	09	229	06	152

ON ORDER ADD TO CATALOG #: LOAD DEPTH (3", 4", 5", 6")

: FLANGE WIDTH (13/16", 1 1/4", 1/2" 1 3/4", 2")

RIGHT REDUCER

CATALOG NUMBER		DIMENSIONS		WIDTH			
		B		W		W1	
ALUMINIUM	STEEL	inch	mm	inch	mm	inch	mm
CL/SB/RHR/A/3630	CL/SB/RHR/S/3630	6	152	36	914	30	762
CL/SB/RHR/A/3624	CL/SB/RHR/S/3624	12	305	36	914	24	610
CL/SB/RHR/A/3618	CL/SB/RHR/S/3618	18	457	36	914	18	457
CL/SB/RHR/A/3612	CL/SB/RHR/S/3612	24	610	36	914	12	305
CL/SB/RHR/A/3609	CL/SB/RHR/S/3609	27	686	36	914	09	229
CL/SB/RHR/A/3606	CL/SB/RHR/S/3606	30	762	36	914	06	152
CL/SB/RHR/A/3024	CL/SB/RHR/S/3024	6	152	30	762	24	610
CL/SB/RHR/A/3018	CL/SB/RHR/S/3018	12	305	30	762	18	457
CL/SB/RHR/A/3012	CL/SB/RHR/S/3012	18	457	30	762	12	305
CL/SB/RHR/A/3009	CL/SB/RHR/S/3009	21	533	30	762	09	229
CL/SB/RHR/A/3006	CL/SB/RHR/S/3006	24	610	30	762	06	152
CL/SB/RHR/A/2418	CL/SB/RHR/S/2418	6	152	24	610	18	457
CL/SB/RHR/A/2412	CL/SB/RHR/S/2412	12	305	24	610	12	305
CL/SB/RHR/A/2409	CL/SB/RHR/S/2409	15	381	24	610	09	229
CL/SB/RHR/A/2406	CL/SB/RHR/S/2406	18	457	24	610	06	152
CL/SB/RHR/A/1812	CL/SB/RHR/S/1812	6	152	18	457	12	305
CL/SB/RHR/A/1809	CL/SB/RHR/S/1809	9	229	18	457	09	229
CL/SB/RHR/A/1806	CL/SB/RHR/S/1806	12	305	18	457	06	152
CL/SB/RHR/A/1209	CL/SB/RHR/S/1209	3	76	12	305	09	229
CL/SB/RHR/A/1206	CL/SB/RHR/S/1206	6	152	12	305	06	152
CL/SB/RHR/A/0906	CL/SB/RHR/S/0906	3	76	09	229	06	152

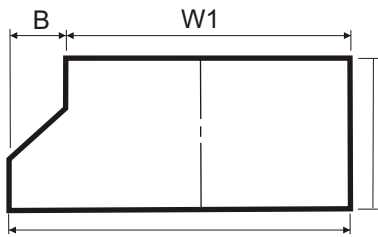
LEFT REDUCER

CATALOG NUMBER		DIMENSIONS		WIDTH			
		B		W		W1	
ALUMINIUM	STEEL	inch	mm	inch	mm	inch	mm
CL/SB/LHR/A/3630	CL/SB/LHR/S/3630	6	152	36	914	30	762
CL/SB/LHR/A/3624	CL/SB/LHR/S/3624	12	305	36	914	24	610
CL/SB/LHR/A/3618	CL/SB/LHR/S/3618	18	457	36	914	18	457
CL/SB/LHR/A/3612	CL/SB/LHR/S/3612	24	610	36	914	12	305
CL/SB/LHR/A/3609	CL/SB/LHR/S/3609	27	686	36	914	09	229
CL/SB/LHR/A/3606	CL/SB/LHR/S/3606	30	762	36	914	06	152
CL/SB/LHR/A/3024	CL/SB/LHR/S/3024	6	152	30	762	24	610
CL/SB/LHR/A/3018	CL/SB/LHR/S/3018	12	305	30	762	18	457
CL/SB/LHR/A/3012	CL/SB/LHR/S/3012	18	457	30	762	12	305
CL/SB/LHR/A/3009	CL/SB/LHR/S/3009	21	533	30	762	09	229
CL/SB/LHR/A/3006	CL/SB/LHR/S/3006	24	610	30	762	06	152
CL/SB/LHR/A/2418	CL/SB/LHR/S/2418	6	152	24	610	18	457
CL/SB/LHR/A/2412	CL/SB/LHR/S/2412	12	305	24	610	12	305
CL/SB/LHR/A/2409	CL/SB/LHR/S/2409	15	381	24	610	09	229
CL/SB/LHR/A/2406	CL/SB/LHR/S/2406	18	457	24	610	06	152
CL/SB/LHR/A/1812	CL/SB/LHR/S/1812	6	152	18	457	12	305
CL/SB/LHR/A/1809	CL/SB/LHR/S/1809	9	229	18	457	09	229
CL/SB/LHR/A/1806	CL/SB/LHR/S/1806	12	305	18	457	06	152
CL/SB/LHR/A/1209	CL/SB/LHR/S/1209	3	76	12	305	09	229
CL/SB/LHR/A/1206	CL/SB/LHR/S/1206	6	152	12	305	06	152
CL/SB/LHR/A/0906	CL/SB/LHR/S/0906	3	76	09	229	06	152

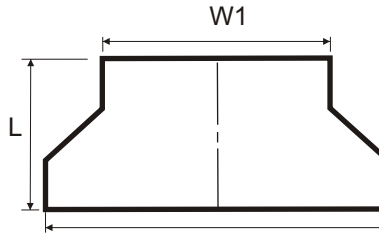
ON ORDER ADD TO CATALOG #: LOAD DEPTH (3", 4", 5", 6")
 : FLANGE WIDTH (13/16", 1 1/4", 1 1/2", 1 3/4", 2")

SADENCO CABLE LADDER AND FITTINGS (VENTILLATED TYPE)

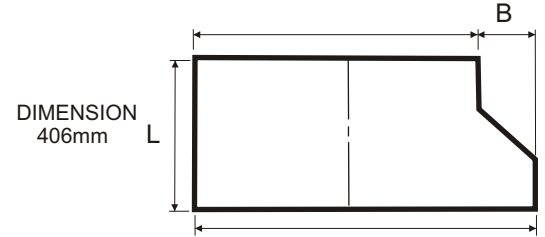
REDUCER



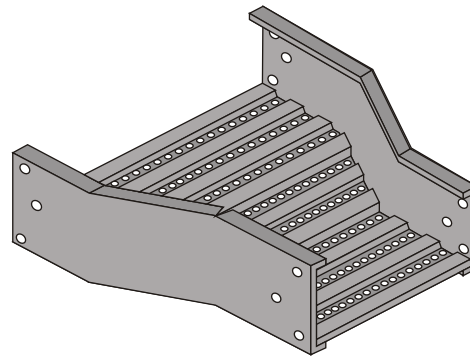
Right Hand (CLV/RHR)



Straight (CLV/SR)



Left Hand (CLV/LHR)



CATALOG #: CLV/SR

CATALOG NUMBER		DIMENSIONS		WIDTH			
		B		W		W1	
ALUMINIUM	STEEL	inch	mm	inch	mm	inch	mm
CLV/SR/A/3630	CLV/SR/S/3630	6	152	36	914	30	762
CLV/SR/A/3624	CLV/SR/S/3624	12	305	36	914	24	610
CLV/SR/A/3618	CLV/SR/S/3618	18	457	36	914	18	457
CLV/SR/A/3612	CLV/SR/S/3612	24	610	36	914	12	305
CLV/SR/A/3609	CLV/SR/S/3609	27	686	36	914	09	229
CLV/SR/A/3606	CLV/SR/S/3606	30	762	36	914	06	152
CLV/SR/A/3024	CLV/SR/S/3024	6	152	30	762	24	610
CLV/SR/A/3018	CLV/SR/S/3018	12	305	30	762	18	457
CLV/SR/A/3012	CLV/SR/S/3012	18	457	30	762	12	305
CLV/SR/A/3009	CLV/SR/S/3009	21	533	30	762	09	229
CLV/SR/A/3006	CLV/SR/S/3006	24	610	30	762	06	152
CLV/SR/A/2418	CLV/SR/S/2418	6	152	24	610	18	457
CLV/SR/A/2412	CLV/SR/S/2412	12	305	24	610	12	305
CLV/SR/A/2409	CLV/SR/S/2409	15	381	24	610	09	229
CLV/SR/A/2406	CLV/SR/S/2406	18	457	24	610	06	152
CLV/SR/A/1812	CLV/SR/S/1812	6	152	18	457	12	305
CLV/SR/A/1809	CLV/SR/S/1809	9	229	18	457	09	229
CLV/SR/A/1806	CLV/SR/S/1806	12	305	18	457	06	152
CLV/SR/A/1209	CLV/SR/S/1209	3	76	12	305	09	229
CLV/SR/A/1206	CLV/SR/S/1206	6	152	12	305	06	152
CLV/SR/A/0906	CLV/SR/S/0906	3	76	09	229	06	152

ON ORDER ADD TO CATALOG #: LOAD DEPTH (3", 4", 5", 6")
: FLANGE WIDTH (13/16", 1 1/4", 1/2" 1 3/4", 2")

SADENCO CABLE LADDER AND FITTINGS (VENTILLATED TYPE)

RIGHT REDUCER

CATALOG NUMBER		DIMENSIONS		WIDTH			
		B		W		W1	
ALUMINIUM	STEEL	inch	mm	inch	mm	inch	mm
CLV/RHR/A/3630	CLV/RHR/S/3630	6	152	36	914	30	762
CLV/RHR/A/3624	CLV/RHR/S/3624	12	305	36	914	24	610
CLV/RHR/A/3618	CLV/RHR/S/3618	18	457	36	914	18	457
CLV/RHR/A/3612	CLV/RHR/S/3612	24	610	36	914	12	305
CLV/RHR/A/3609	CLV/RHR/S/3609	27	686	36	914	09	229
CLV/RHR/A/3606	CLV/RHR/S/3606	30	762	36	914	06	152
CLV/RHR/A/3024	CLV/RHR/S/3024	6	152	30	762	24	610
CLV/RHR/A/3018	CLV/RHR/S/3018	12	305	30	762	18	457
CLV/RHR/A/3012	CLV/RHR/S/3012	18	457	30	762	12	305
CLV/RHR/A/3009	CLV/RHR/S/3009	21	533	30	762	09	229
CLV/RHR/A/3006	CLV/RHR/S/3006	24	610	30	762	06	152
CLV/RHR/A/2418	CLV/RHR/S/2418	6	152	24	610	18	457
CLV/RHR/A/2412	CLV/RHR/S/2412	12	305	24	610	12	305
CLV/RHR/A/2409	CLV/RHR/S/2409	15	381	24	610	09	229
CLV/RHR/A/2406	CLV/RHR/S/2406	18	457	24	610	06	152
CLV/RHR/A/1812	CLV/RHR/S/1812	6	152	18	457	12	305
CLV/RHR/A/1809	CLV/RHR/S/1809	9	229	18	457	09	229
CLV/RHR/A/1806	CLV/RHR/S/1806	12	305	18	457	06	152
CLV/RHR/A/1209	CLV/RHR/S/1209	3	76	12	305	09	229
CLV/RHR/A/1206	CLV/RHR/S/1206	6	152	12	305	06	152
CLV/RHR/A/0906	CLV/RHR/S/0906	3	76	09	229	06	152

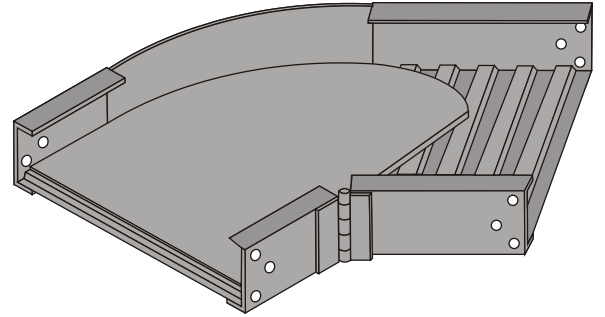
LEFT REDUCER

CATALOG NUMBER		DIMENSIONS		WIDTH			
		B		W		W1	
ALUMINIUM	STEEL	inch	mm	inch	mm	inch	mm
CLV/LHR/A/3630	CLV/LHR/S/3630	6	152	36	914	30	762
CLV/LHR/A/3624	CLV/LHR/S/3624	12	305	36	914	24	610
CLV/LHR/A/3618	CLV/LHR/S/3618	18	457	36	914	18	457
CLV/LHR/A/3612	CLV/LHR/S/3612	24	610	36	914	12	305
CLV/LHR/A/3609	CLV/LHR/S/3609	27	686	36	914	09	229
CLV/LHR/A/3606	CLV/LHR/S/3606	30	762	36	914	06	152
CLV/LHR/A/3024	CLV/LHR/S/3024	6	152	30	762	24	610
CLV/LHR/A/3018	CLV/LHR/S/3018	12	305	30	762	18	457
CLV/LHR/A/3012	CLV/LHR/S/3012	18	457	30	762	12	305
CLV/LHR/A/3009	CLV/LHR/S/3009	21	533	30	762	09	229
CLV/LHR/A/3006	CLV/LHR/S/3006	24	610	30	762	06	152
CLV/LHR/A/2418	CLV/LHR/S/2418	6	152	24	610	18	457
CLV/LHR/A/2412	CLV/LHR/S/2412	12	305	24	610	12	305
CLV/LHR/A/2409	CLV/LHR/S/2409	15	381	24	610	09	229
CLV/LHR/A/2406	CLV/LHR/S/2406	18	457	24	610	06	152
CLV/LHR/A/1812	CLV/LHR/S/1812	6	152	18	457	12	305
CLV/LHR/A/1809	CLV/LHR/S/1809	9	229	18	457	09	229
CLV/LHR/A/1806	CLV/LHR/S/1806	12	305	18	457	06	152
CLV/LHR/A/1209	CLV/LHR/S/1209	3	76	12	305	09	229
CLV/LHR/A/1206	CLV/LHR/S/1206	6	152	12	305	06	152
CLV/LHR/A/0906	CLV/LHR/S/0906	3	76	09	229	06	152

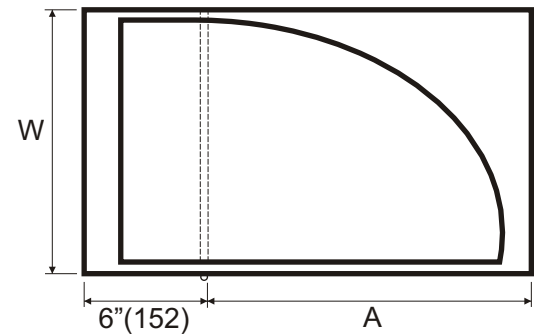
ON ORDER ADD TO CATALOG #: LOAD DEPTH (3", 4", 5", 6")
: FLANGE WIDTH (13/16", 1 1/4", 1/2" 1 3/4", 2")

SADENCO CABLE LADDER AND FITTINGS

ADJUSTABLE ELBOW (SOLID TYPE)

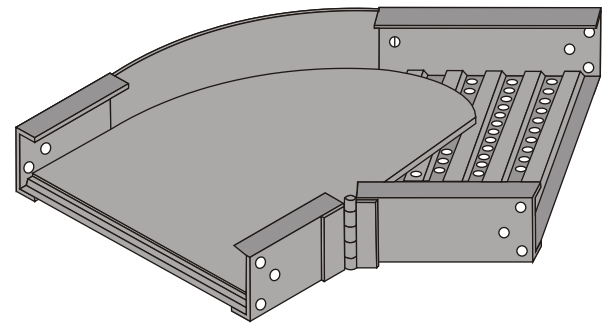


CATALOG NUMBER		DIMENSIONS	
		W	
ALUMINIUM	STEEL	inch	mm
CL/SB/YBL/A/06	CL/SB/YBL/S/06	6"	152
CL/SB/YBL/A/09	CL/SB/YBL/S/09	9"	229
CL/SB/YBL/A/12	CL/SB/YBL/S/12	12"	305
CL/SB/YBL/A/18	CL/SB/YBL/S/18	18"	457
CL/SB/YBL/A/24	CL/SB/YBL/S/24	24"	610
CL/SB/YBL/A/30	CL/SB/YBL/S/30	30"	762
CL/SB/YBL/A/36	CL/SB/YBL/S/36	36"	914

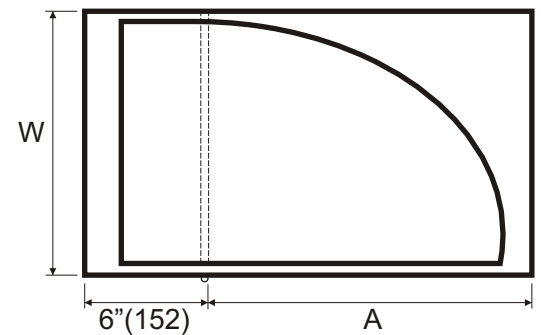


CATALOG # :CL/SB/AE

ADJUSTABLE ELBOW (VENTILLATED)



CATALOG NUMBER		DIMENSIONS	
		W	
ALUMINIUM	STEEL	inch	mm
CL/V/YBL/A/06	CL/V/YBL/S/06	6"	152
CL/V/YBL/A/09	CL/V/YBL/S/09	9"	229
CL/V/YBL/A/12	CL/V/YBL/S/12	12"	305
CL/V/YBL/A/18	CL/V/YBL/S/18	18"	457
CL/V/YBL/A/24	CL/V/YBL/S/24	24"	610
CL/V/YBL/A/30	CL/V/YBL/S/30	30"	762
CL/V/YBL/A/36	CL/V/YBL/S/36	36"	914

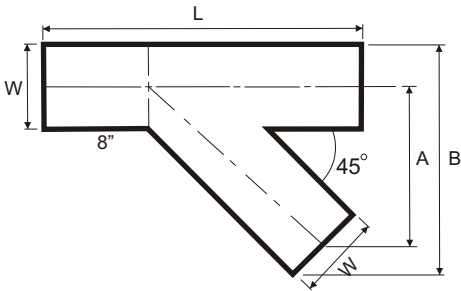
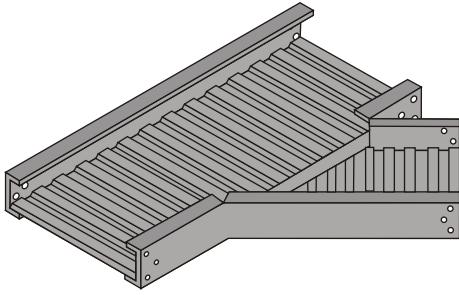


CATALOG # :CL/V/AE

ON ORDER ADD TO CATALOG #: LOAD DEPTH (3", 4", 5", 6")
 : FLANGE WIDTH (13/16", 1 1/4", 1/2" 1 3/4", 2")

SADENCO CABLE LADDER AND FITTINGS

45 "Y" BRANCH (SOLID TYPE)

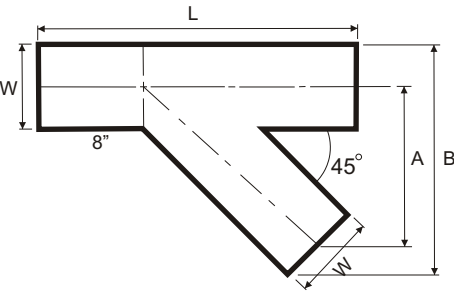
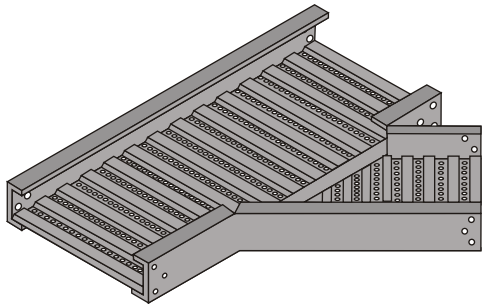


CATALOG NUMBER			
Left Hand		Right Hand	
ALUMINIUM	STEEL	ALUMINIUM	STEEL
CL/SB/YBL/A/06	CL/SB/YBL/S/06	CL/SB/YBR/A/06	CL/SB/YBR/S/06
CL/SB/YBL/A/09	CL/SB/YBL/S/09	CL/SB/YBR/A/09	CL/SB/YBR/S/09
CL/SB/YBL/A/12	CL/SB/YBL/S/12	CL/SB/YBR/A/12	CL/SB/YBR/S/12
CL/SB/YBL/A/18	CL/SB/YBL/S/18	CL/SB/YBR/A/18	CL/SB/YBR/S/18
CL/SB/YBL/A/24	CL/SB/YBL/S/24	CL/SB/YBR/A/24	CL/SB/YBR/S/24
CL/SB/YBL/A/30	CL/SB/YBL/S/30	CL/SB/YBR/A/30	CL/SB/YBR/S/30
CL/SB/YBL/A/36	CL/SB/YBL/S/36	CL/SB/YBR/A/36	CL/SB/YBR/S/36

WIDTH "W"		DIMENSION					
		L		A		B	
inch	mm	inch	mm	inch	mm	inch	mm
6"	152	22.5"	571	11 1/8"	283	16 1/4"	413
9"	229	26.3/4"	679	13 3/4"	349	21 3/8"	543
12"	305	31"	787	16 1/4"	412	26 1/2"	673
18"	457	39.5"	1003	21 3/8"	543	36 3/4"	933
24"	610	48"	1219	26 1/2"	673	47"	1193
30"	762	56.3/8"	1432	31 5/8"	803	57 1/4"	1454
36"	914	65"	1651	36 3/4"	933	67 1/2"	1714

CATALOG # :CL/SB/YB

45 "Y" BRANCH (VENTILLATED)



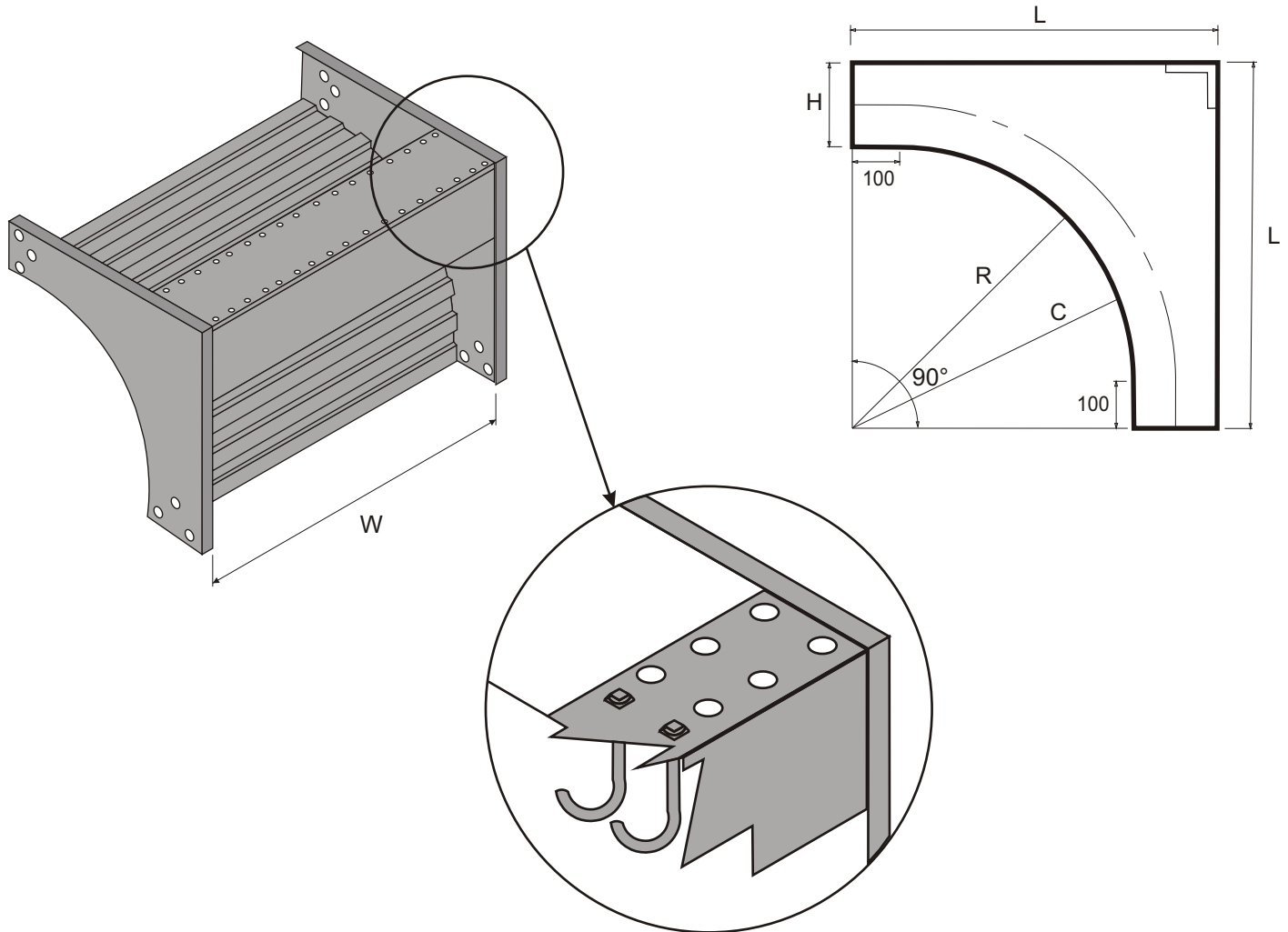
CATALOG NUMBER			
Left Hand		Right Hand	
ALUMINIUM	STEEL	ALUMINIUM	STEEL
CL/V/YBL/A/06	CL/V/YBL/S/06	CL/V/YBR/A/06	CL/V/YBR/S/06
CL/V/YBL/A/09	CL/V/YBL/S/09	CL/V/YBR/A/09	CL/V/YBR/S/09
CL/V/YBL/A/12	CL/V/YBL/S/12	CL/V/YBR/A/12	CL/V/YBR/S/12
CL/V/YBL/A/18	CL/V/YBL/S/18	CL/V/YBR/A/18	CL/V/YBR/S/18
CL/V/YBL/A/24	CL/V/YBL/S/24	CL/V/YBR/A/24	CL/V/YBR/S/24
CL/V/YBL/A/30	CL/V/YBL/S/30	CL/V/YBR/A/30	CL/V/YBR/S/30
CL/V/YBL/A/36	CL/V/YBL/S/36	CL/V/YBR/A/36	CL/V/YBR/S/36

WIDTH "W"		DIMENSION					
		L		A		B	
inch	mm	inch	mm	inch	mm	inch	mm
6"	152	22.5"	571	11 1/8"	283	16 1/4"	413
9"	229	26.3/4"	679	13 3/4"	349	21 3/8"	543
12"	305	31"	787	16 1/4"	412	26 1/2"	673
18"	457	39.5"	1003	21 3/8"	543	36 3/4"	933
24"	610	48"	1219	26 1/2"	673	47"	1193
30"	762	56.3/8"	1432	31 5/8"	803	57 1/4"	1454
36"	914	65"	1651	36 3/4"	933	67 1/2"	1714

CATALOG # :CL/V/YB

ON ORDER ADD TO CATALOG #: LOAD DEPTH (3", 4", 5", 6")
: FLANGE WIDTH (13/16", 1 1/4", 1/2" 1 3/4", 2")

90° VERTICAL CABLE SUPPORT ELBOW



CATALOG # : CL/SB/VCSE90°

CATALOG NUMBER		L		C		RADIUS "R"		HEIGHT "W"	
ALUMINIUM	STEEL	inch	mm	inch	mm	inch	mm	inch	mm
CL/SB/VCSE90°/A128	CL/SB/VCSE90°/S128	16 1/4"	407	14 1/8"	356	12"	305	4 1/4"	108
CL/SB/VCSE90°/A248	CL/SB/VCSE90°/S248	28 1/4"	711	26 1/8"	660	24"	610	4 1/4"	108
CL/SB/VCSE90°/A368	CL/SB/VCSE90°/S368	40 1/4"	1016	38 1/8"	965	36"	914	4 1/4"	108
CL/SB/VCSE90°/A123	CL/SB/VCSE90°/S123	17 1/4"	432	14 5/8"	356	12"	305	5 1/4"	133
CL/SB/VCSE90°/A243	CL/SB/VCSE90°/S243	29 1/4"	737	26 5/8"	661	24"	610	5 1/4"	133
CL/SB/VCSE90°/A363	CL/SB/VCSE90°/S363	31 1/4"	788	39 5/8"	966	36"	914	5 1/4"	133
CL/SB/VCSE90°/A129	CL/SB/VCSE90°/S129	18 1/4"	457	15 1/8"	381	12"	305	6 1/4"	159
CL/SB/VCSE90°/A249	CL/SB/VCSE90°/S249	30 1/4"	762	27 1/8"	686	24"	610	6 1/4"	159
CL/SB/VCSE90°/A369	CL/SB/VCSE90°/S369	42 1/4"	1067	39 1/8"	991	36"	914	6 1/4"	159
CL/SB/VCSE90°/A124	CL/SB/VCSE90°/S124	19 1/4"	483	15 5/8"	382	12"	305	7 1/4"	184
CL/SB/VCSE90°/A244	CL/SB/VCSE90°/S244	31 1/4"	788	27 5/8"	686	24"	610	7 1/4"	184
CL/SB/VCSE90°/A364	CL/SB/VCSE90°/S364	33 1/4"	838	39 5/8"	981	36"	914	7 1/4"	184

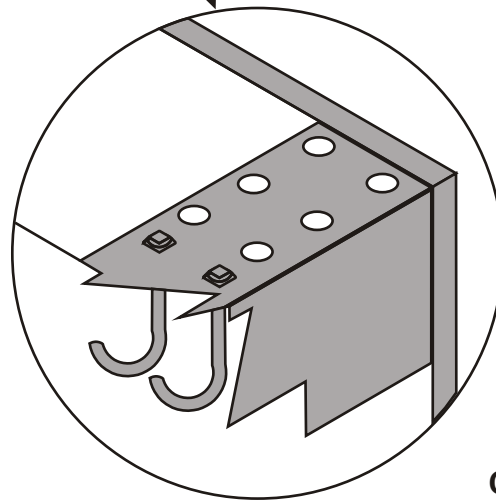
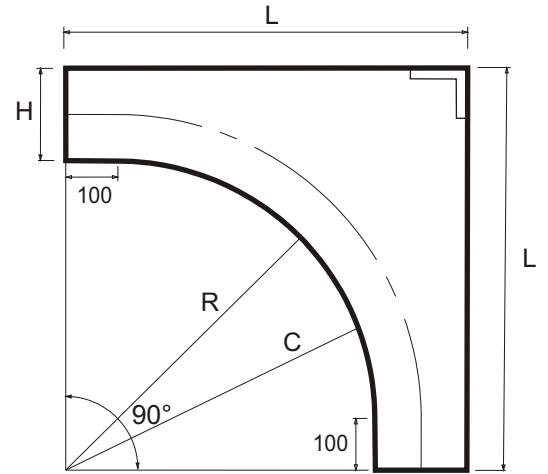
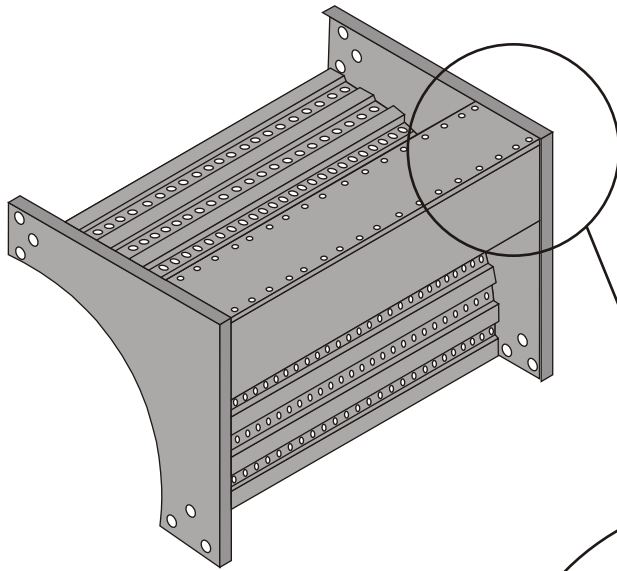
ON ORDER ADD TO CATALOG # : LOAD DEPTH (3", 4", 5", 6")

: FLANGE WIDTH (13/16", 1 1/4", 1 1/2", 1 3/4", 2")

NOTE: ANGLE SUPPORT WELDED TO SIDE MEMBER.

SADENCO CABLE LADDER AND FITTINGS (VENTILLATED TYPE)

90° VERTICAL CABLE SUPPORT ELBOW



CATALOG # : CL/V/VCSE90°

CATALOG NUMBER		L		C		RADIUS "R"		HEIGHT "W"	
ALUMINIUM	STEEL	inch	mm	inch	mm	inch	mm	inch	mm
CL/V/VCSE90°/A128	CL/V/VCSE90°/S128	16 1/4"	407	14 1/8"	356	12"	305	4 1/4"	108
CL/V/VCSE90°/A248	CL/V/VCSE90°/S248	28 1/4"	711	26 1/8"	660	24"	610	4 1/4"	108
CL/V/VCSE90°/A368	CL/V/VCSE90°/S368	40 1/4"	1016	38 1/8"	965	36"	914	4 1/4"	108
CL/V/VCSE90°/A123	CL/V/VCSE90°/S123	17 1/4"	432	14 5/8"	356	12"	305	5 1/4"	133
CL/V/VCSE90°/A243	CL/V/VCSE90°/S243	29 1/4"	737	26 5/8"	661	24"	610	5 1/4"	133
CL/V/VCSE90°/A363	CL/V/VCSE90°/S363	31 1/4"	788	39 5/8"	966	36"	914	5 1/4"	133
CL/V/VCSE90°/A129	CL/V/VCSE90°/S129	18 1/4"	457	15 1/8"	381	12"	305	6 1/4"	159
CL/V/VCSE90°/A249	CL/V/VCSE90°/S249	30 1/4"	762	27 1/8"	686	24"	610	6 1/4"	159
CL/V/VCSE90°/A369	CL/V/VCSE90°/S369	42 1/4"	1067	39 1/8"	991	36"	914	6 1/4"	159
CL/V/VCSE90°/A124	CL/V/VCSE90°/S124	19 1/4"	483	15 5/8"	382	12"	305	7 1/4"	184
CL/V/VCSE90°/A244	CL/V/VCSE90°/S244	31 1/4"	788	27 5/8"	686	24"	610	7 1/4"	184
CL/V/VCSE90°/A364	CL/V/VCSE90°/S364	33 1/4"	838	39 5/8"	981	36"	914	7 1/4"	184

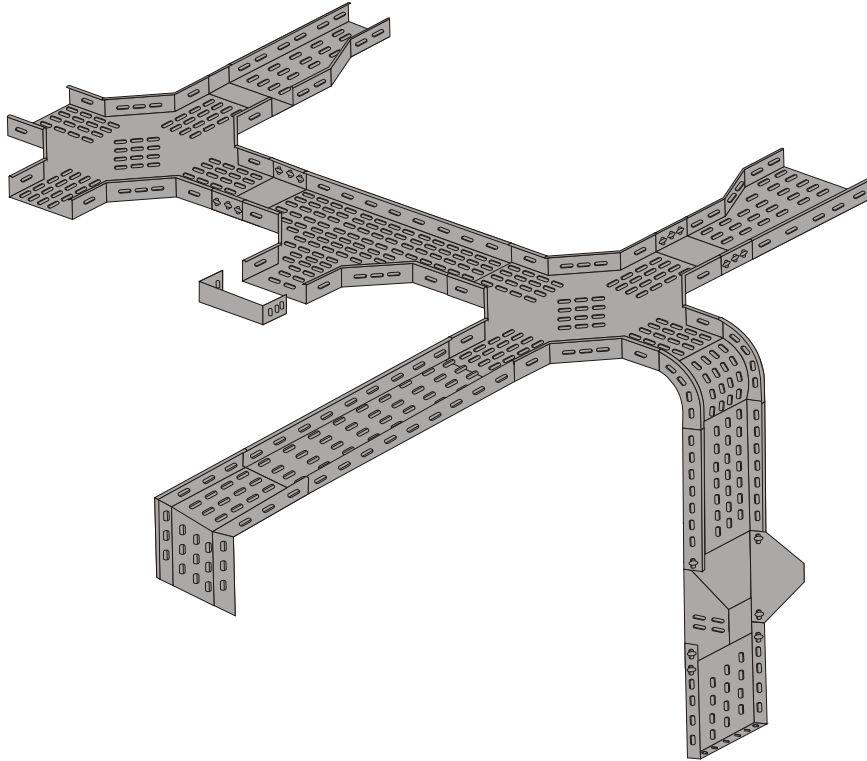
ON ORDER ADD TO CATALOG #: LOAD DEPTH (3", 4", 5", 6")

: FLANGE WIDTH (13/16", 1 1/4", 1 1/2", 1 3/4", 2")

NOTE: ANGLE SUPPORT WELDED TO SIDE MEMBER.

SADENCO CABLE TRAY AND FITTINGS

PERFORATED CABLE TRAY SYSTEM



SADENCO Cable Tray System provides high quality cost effective and reliable solution to cable distribution and installation work.

As standard production, Cable trays are perforated with inside return flange. This designs results ventilated area for cables and increase load capacity while maintaining low weight of the structure.

However, Solid cable trays with or without flange are available on request. In addition to the standard dimension listed in a catalogue “SADENCO” can provide any other special dimension or design in high quality with low cost.

Corrosion protection is the main aspect of the system. Hence, a wide range of protection method is applied depending on the environment where the cable tray installed.

FINISHING:

“ **SADENCO** ” Cable Tray System provide the following finishing in high quality,

- Pre-Galvanized Steel
- Hot Dip Galvanizing After Fabrication
- Powder Coating
- Epoxy Coating

“ **SADENCO** ” offers aluminum and stainless steel cable tray system to be installed in food industry project where ever chemicals effect is dominated.

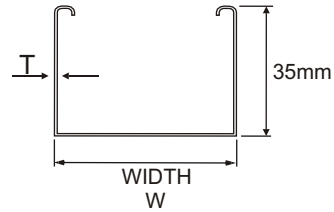
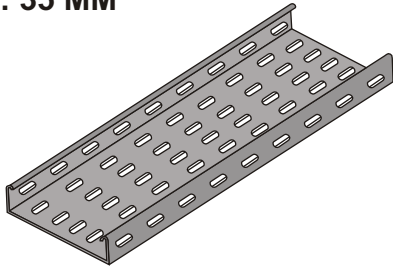
SADENCO CABLE TRAY AND FITTINGS

STANDARD LENGTH : 3 Meters

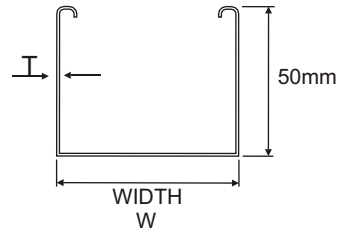
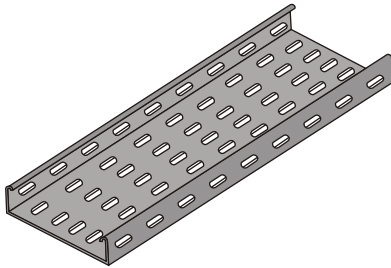
MATERIALS : Hot Rolled Steel Sheet
: Aluminum
: Stainless Steel

FINISHING : Hot Dip Galvanizing to BS 729
: Polyester Powder Coated
: Other finishing available on request

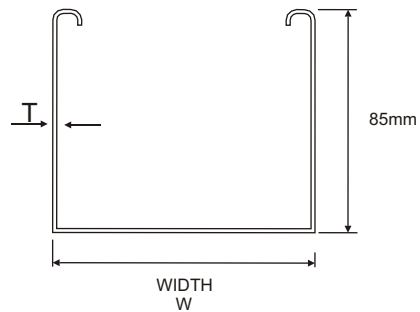
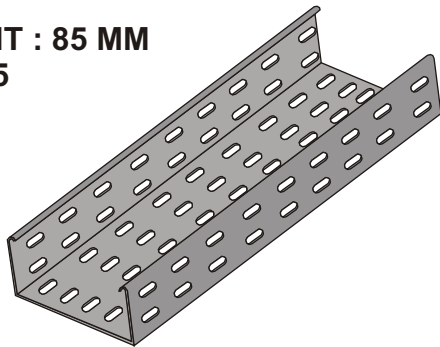
SIDE HEIGHT : 35 MM
TYPE: CT/35



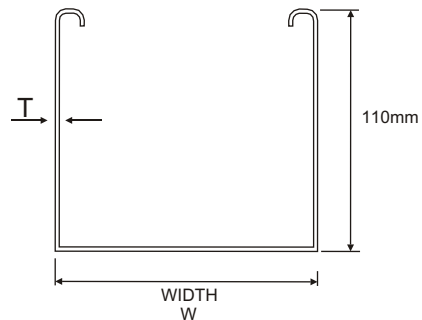
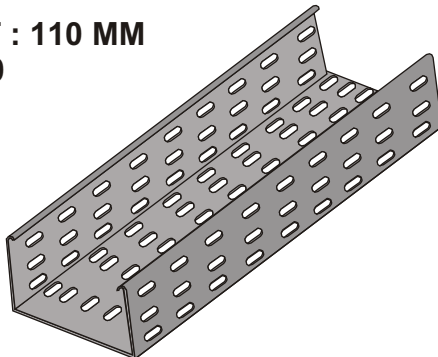
SIDE HEIGHT : 50 MM
TYPE: CT/50



SIDE HEIGHT : 85 MM
TYPE: CT/85



SIDE HEIGHT : 110 MM
TYPE: CT/110



SADENCO CABLE TRAY AND FITTINGS

SIDE HEIGHT : 35 MM
CATALOG #: CT/35

Catalog #.	Width W (mm)	Steel Thick T (mm)
CT1/35/50	50	1.0
CT1/35/100	100	1.0
CT1/35/150	150	1.0
CT1/35/200	200	1.0
CT1/35/300	300	1.0
CT2/35/50	50	1.5
CT2/35/100	100	1.5
CT2/35/150	150	1.5
CT2/35/200	200	1.5
CT2/35/300	300	1.5
CT2/35/400	400	1.5
CT2/35/500	500	1.5
CT2/35/600	600	1.5

SIDE HEIGHT : 50 MM
TYPE: CT/50

Catalog #.	Width W (mm)	Steel Thick T (mm)
CT3/50/50	50	1.0
CT3/50/100	100	1.0
CT3/50/150	150	1.0
CT3/50/200	200	1.0
CT3/50/300	300	1.0
CT4/50/50	50	1.5
CT4/50/100	100	1.5
CT4/50/150	150	1.5
CT4/50/200	200	1.5
CT4/50/300	300	1.5
CT4/50/400	400	1.5
CT4/50/500	500	1.5
CT4/50/600	600	1.5
CT5/50/50	50	2.0
CT5/50/100	100	2.0
CT5/50/150	150	2.0
CT5/50/200	200	2.0
CT5/50/300	300	2.0
CT5/50/400	400	2.0
CT5/50/500	500	2.0
CT5/50/600	600	2.0
CT5/50/900	900	2.0

SIDE HEIGHT : 85 MM
TYPE: CT/85

Catalog #.	Steel Thick T (mm)	Width W (mm)
CT6/85/100	1.5	100
CT6/85/150	1.5	150
CT6/85/200	1.5	200
CT6/85/300	1.5	300
CT6/85/400	1.5	400
CT6/85/500	1.5	500
CT6/85/600	1.5	600
CT7/85/100	2.0	100
CT7/85/150	2.0	150
CT7/85/200	2.0	200
CT7/85/300	2.0	300
CT7/85/400	2.0	400
CT7/85/500	2.0	500
CT7/85/600	2.0	600
CT7/85/900	2.0	900

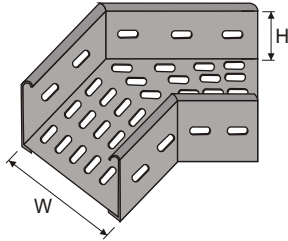
SIDE HEIGHT : 110 MM
TYPE: CT/110

Catalog #	Steel Thick T (mm)	Width W (mm)
CT8/110/100	1.5	100
CT8/110/150	1.5	150
CT8/110/200	1.5	200
CT8/110/300	1.5	300
CT8/110/400	1.5	400
CT8/110/500	1.5	500
CT8/110/600	1.5	600
CT9/110/100	2.0	100
CT9/110/150	2.0	150
CT9/110/200	2.0	200
CT9/110/300	2.0	300
CT9/110/400	2.0	400
CT9/110/500	2.0	500
CT9/110/600	2.0	600
CT9/110/900	2.0	900

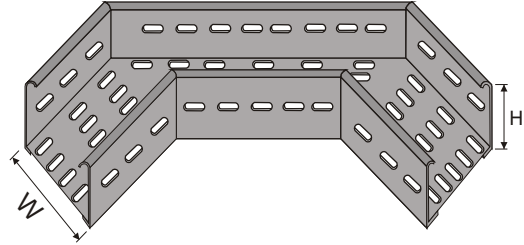
TO ORDER SPECIFY THE FOLLOWING: CATALOG #. MATERIAL AND FINISHING

SADENCO PERFORATED CABLE TRAY AND FITTINGS

45° HORIZONTAL BEND TYPE : CT/45°HB



90° HORIZONTAL BEND TYPE : CT/45°HB



SIDE HEIGHT : 35mm

SIDE HEIGHT : 50mm

Catalog #.	Width W (mm)	Catalog #.	Width W (mm)
CT45°HB/35/50	50	CT45°HB/50/50	50
CT45°HB/35/100	100	CT45°HB/50/100	100
CT45°HB/35/150	150	CT45°HB/50/150	150
CT45°HB/35/200	200	CT45°HB/50/200	200
CT45°HB/35/300	300	CT45°HB/50/300	300
CT45°HB/35/400	400	CT45°HB/50/400	400
CT45°HB/35/500	500	CT45°HB/50/500	500
CT45°HB/35/600	600	CT45°HB/50/600	600
		CT45°HB/50/900	900

SIDE HEIGHT : 35mm

SIDE HEIGHT : 50mm

Catalog #.	Width W (mm)	Catalog #.	Width W (mm)
CT90°HB/35/50	50	CT90°HB/50/50	50
CT90°HB/35/100	100	CT90°HB/50/100	100
CT90°HB/35/150	150	CT90°HB/50/150	150
CT90°HB/35/200	200	CT90°HB/50/200	200
CT90°HB/35/300	300	CT90°HB/50/300	300
CT90°HB/35/400	400	CT90°HB/50/400	400
CT90°HB/35/500	500	CT90°HB/50/500	500
CT90°HB/35/600	600	CT90°HB/50/600	600
		CT90°HB/50/900	900

SIDE HEIGHT : 85mm

SIDE HEIGHT : 110mm

Catalog #.	Width W (mm)	Catalog #.	Width W (mm)
CT45°HB/85/50	50	CT45°HB/110/50	50
CT45°HB/85/100	100	CT45°HB/110/100	100
CT45°HB/85/150	150	CT45°HB/110/150	150
CT45°HB/85/200	200	CT45°HB/110/200	200
CT45°HB/85/300	300	CT45°HB/110/300	300
CT45°HB/85/400	400	CT45°HB/110/400	400
CT45°HB/85/500	500	CT45°HB/110/500	500
CT45°HB/85/600	600	CT45°HB/110/600	600
CT45°HB/85/900	900	CT45°HB/110/900	900

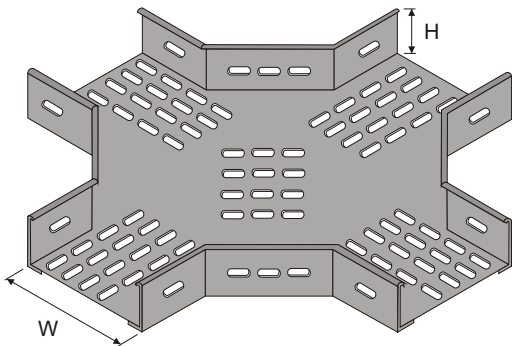
SIDE HEIGHT : 85mm

SIDE HEIGHT : 110mm

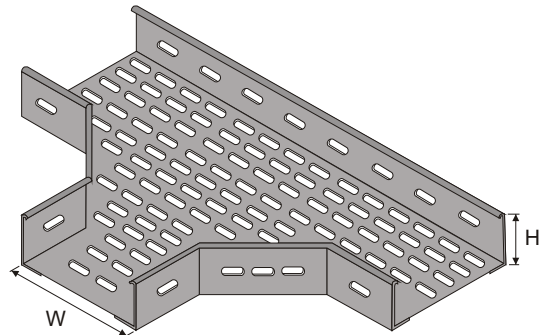
Catalog #.	Width W (mm)	Catalog #.	Width W (mm)
CT90°HB/85/50	50	CT90°HB/110/50	50
CT90°HB/85/100	100	CT90°HB/110/100	100
CT90°HB/85/150	150	CT90°HB/110/150	150
CT90°HB/85/200	200	CT90°HB/110/200	200
CT90°HB/85/300	300	CT90°HB/110/300	300
CT90°HB/85/400	400	CT90°HB/110/400	400
CT90°HB/85/500	500	CT90°HB/110/500	500
CT90°HB/85/600	600	CT90°HB/110/600	600
CT90°HB/85/900	900	CT90°HB/110/900	900

SADENCO PERFORATED CABLE TRAY AND FITTINGS

CROSS PIECE CATALOG # : CT/C



HORIZONTAL TEE PIECE CATALOG # : CT/H



SIDE HEIGHT : 35mm

SIDE HEIGHT : 50mm

Catalog #.	Width W (mm)	Catalog #.	Width W (mm)
CT/C/35/50	50	CT/C/50/50	50
CT/C/35/100	100	CT/C/50/100	100
CT/C/35/150	150	CT/C/50/150	150
CT/C/35/200	200	CT/C/50/200	200
CT/C/35/300	300	CT/C/50/300	300
CT/C/35/400	400	CT/C/50/400	400
CT/C/35/500	500	CT/C/50/500	500
CT/C/35/600	600	CT/C/50/600	600
		CT/C/50/900	900

SIDE HEIGHT : 35mm

SIDE HEIGHT : 50mm

Catalog #.	Width W (mm)	Catalog #.	Width W (mm)
CT/H/35/50	50	CT/H/50/50	50
CT/H/35/100	100	CT/H/50/100	100
CT/H/35/150	150	CT/H/50/150	150
CT/H/35/200	200	CT/H/50/200	200
CT/H/35/300	300	CT/H/50/300	300
CT/H/35/400	400	CT/H/50/400	400
CT/H/35/500	500	CT/H/50/500	500
CT/H/35/600	600	CT/H/50/600	600
		CT/H/50/900	900

SIDE HEIGHT : 85mm

SIDE HEIGHT : 110mm

Catalog #.	Width W (mm)	Catalog #.	Width W (mm)
CT/C/85/50	50	CT/C/110/50	50
CT/C/85/100	100	CT/C/110/100	100
CT/C/85/150	150	CT/C/110/150	150
CT/C/85/200	200	CT/C/110/200	200
CT/C/85/300	300	CT/C/110/300	300
CT/C/85/400	400	CT/C/110/400	400
CT/C/85/500	500	CT/C/110/500	500
CT/C/85/600	600	CT/C/110/600	600
CT/C/85/900	900	CT/C/110/900	900

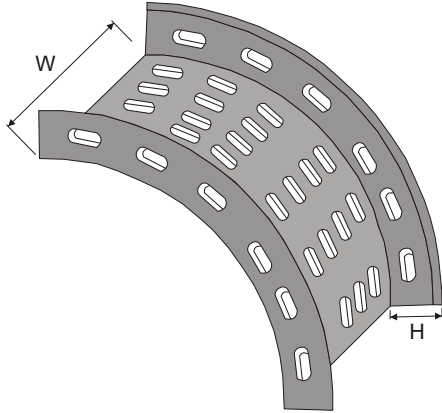
SIDE HEIGHT : 85mm

SIDE HEIGHT : 110mm

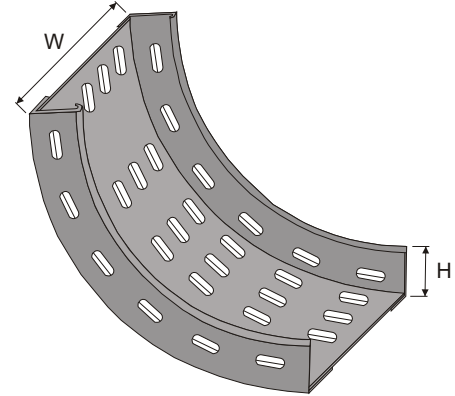
Catalog #.	Width W (mm)	Catalog #.	Width W (mm)
CT/H/85/50	50	CT/H/110/50	50
CT/H/85/100	100	CT/H/110/100	100
CT/H/85/150	150	CT/H/110/150	150
CT/H/85/200	200	CT/H/110/200	200
CT/H/85/300	300	CT/H/110/300	300
CT/H/85/400	400	CT/H/110/400	400
CT/H/85/500	500	CT/H/110/500	500
CT/H/85/600	600	CT/H/110/600	600
CT/H/85/900	900	CT/H/110/900	900

SADENCO PERFORATED CABLE TRAY AND FITTINGS

OUTSIDE RISER 90° CATALOG #: CT/OR



INSIDE RISER 90° CATALOG #: CT/IR



SIDE HEIGHT : 35mm

SIDE HEIGHT : 50mm

Catalog #.	Width W (mm)	Catalog #.	Width W (mm)
CT/OR/35/50	50	CT/OR/50/50	50
CT/OR/35/100	100	CT/OR/50/100	100
CT/OR/35/150	150	CT/OR/50/150	150
CT/OR/35/200	200	CT/OR/50/200	200
CT/OR/35/300	300	CT/OR/50/300	300
CT/OR/35/400	400	CT/OR/50/400	400
CT/OR/35/500	500	CT/OR/50/500	500
CT/OR/35/600	600	CT/OR/50/600	600
		CT/OR/50/900	900

SIDE HEIGHT : 35mm

SIDE HEIGHT : 50mm

Catalog #.	Width W (mm)	Catalog #.	Width W (mm)
CT/IR/35/50	50	CT/IR/50/50	50
CT/IR/35/100	100	CT/IR/50/100	100
CT/IR/35/150	150	CT/IR/50/150	150
CT/IR/35/200	200	CT/IR/50/200	200
CT/IR/35/300	300	CT/IR/50/300	300
CT/IR/35/400	400	CT/IR/50/400	400
CT/IR/35/500	500	CT/IR/50/500	500
CT/IR/35/600	600	CT/IR/50/600	600
		CT/IR/50/900	900

SIDE HEIGHT : 85mm

SIDE HEIGHT : 110mm

Catalog #.	Width W (mm)	Catalog #.	Width W (mm)
CT/OR/85/50	50	CT/OR/110/50	50
CT/OR/85/100	100	CT/OR/110/100	100
CT/OR/85/150	150	CT/OR/110/150	150
CT/OR/85/200	200	CT/OR/110/200	200
CT/OR/85/300	300	CT/OR/110/300	300
CT/OR/85/400	400	CT/OR/110/400	400
CT/OR/85/500	500	CT/OR/110/500	500
CT/OR/85/600	600	CT/OR/110/600	600
CT/OR/85/900	900	CT/OR/110/900	900

SIDE HEIGHT : 85mm

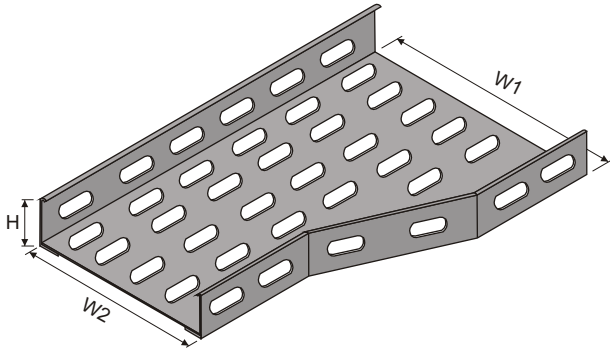
SIDE HEIGHT : 110mm

Catalog #.	Width W (mm)	Catalog #.	Width W (mm)
CT/IR/85/50	50	CT/IR/110/50	50
CT/IR/85/100	100	CT/IR/110/100	100
CT/IR/85/150	150	CT/IR/110/150	150
CT/IR/85/200	200	CT/IR/110/200	200
CT/IR/85/300	300	CT/IR/110/300	300
CT/IR/85/400	400	CT/IR/110/400	400
CT/IR/85/500	500	CT/IR/110/500	500
CT/IR/85/600	600	CT/IR/110/600	600
CT/IR/85/900	900	CT/IR/110/900	900

SADENCO PERFORATED CABLE TRAY AND FITTINGS

OFFSET RIGHT HAND REDUCER

CATALOG #: CT/ORHR

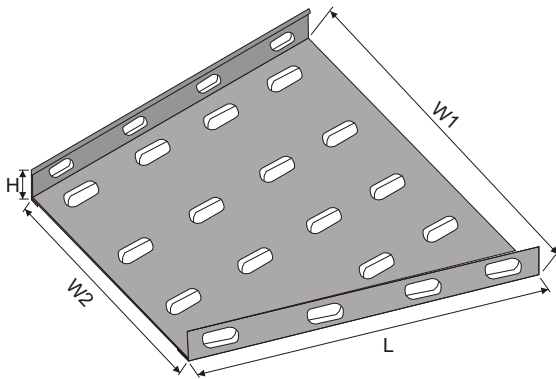


CT/ORHR1 - W1/W2 for CT/35 Type - Cable Tray
CT/ORHR2 - W1/W2 for CT/50 Type - Cable Tray
CT/ORHR3 - W1/W2 for CT/85 Type - Cable Tray
CT/ORHR4 - W1/W2 for CT/110 Type - Cable Tray

On Order: Specify W1 & W2

STRAIGHT REDUCER

CATALOG #: CT/SR

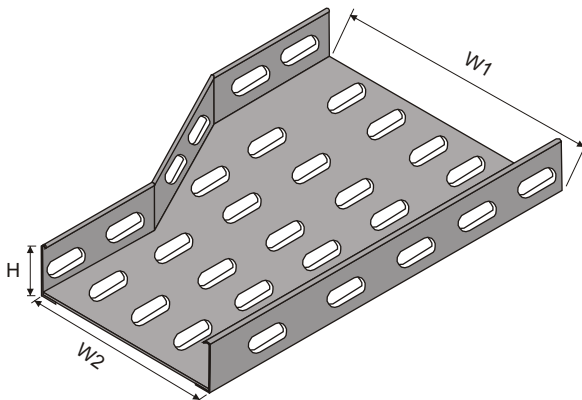


CT/SR1 - W1/W2 for CT/35 Type - Cable Tray
CT/SR2 - W1/W2 for CT/50 Type - Cable Tray
CT/SR3 - W1/W2 for CT/85 Type - Cable Tray
CT/SR4 - W1/W2 for CT/110 Type - Cable Tray

On Order: Specify W1 & W2

OFFSET LEFT HAND REDUCER

CATALOG #: CT/OLHR

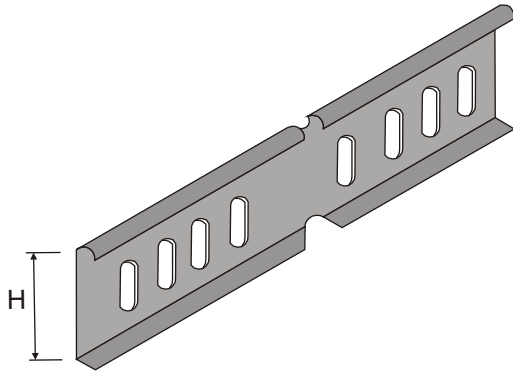


CT/OLHR1 - W1/W2 for CT/35 Type - Cable Tray
CT/OLHR2 - W1/W2 for CT/50 Type - Cable Tray
CT/OLHR3 - W1/W2 for CT/85 Type - Cable Tray
CT/OLHR4 - W1/W2 for CT/110 Type - Cable Tray

On Order: Specify W1 & W2

SADENCO CABLE TRAY AND FITTINGS

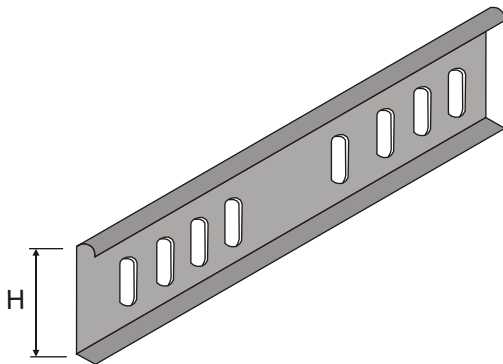
ANGLE JOINT PIECE TYPE : CT/AJP



Catalog No.	H (mm)
CT/AJP/35	35
CT/AJP/50	50
CT/AJP/85	85
CT/AJP/110	110

On order specify width

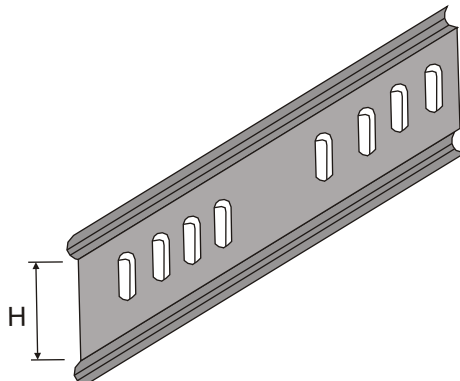
WRAP AROUND JOINT PIECE TYPE : CT/WJP



Catalog No.	H (mm)
CT/WJP/35	35
CT/WJP/50	50
CT/WJP/85	85
CT/WJP/110	110

On order specify width

STRAIGHT JOINT PIECE TYPE : CT/SJP

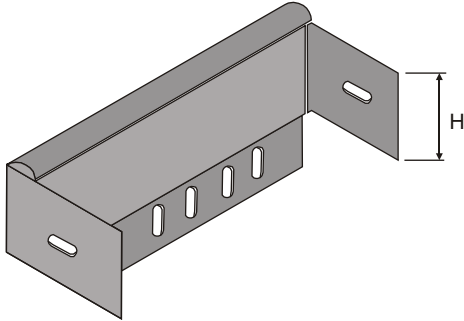


Catalog No.	H (mm)
CT/SJP/35	35
CT/SJP/50	50
CT/SJP/85	85
CT/SJP/110	110

On order specify width

SADENCO CABLE TRAY AND FITTINGS

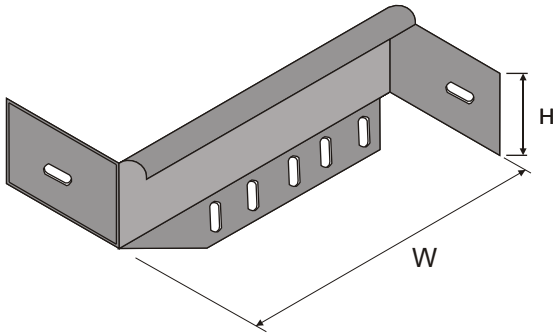
END PLATE TYPE : CT/EP



Catalog No.	H (mm)
CT/EP/35	35
CT/EP/50	50
CT/EP/85	85
CT/EP/110	110

On order specify width

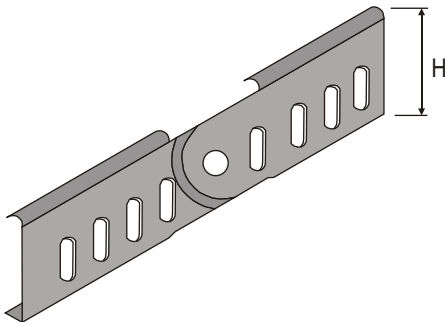
REDUCING CONNECTOR TYPE : CT/RC



Catalog No.	H (mm)
CT/RC/35	35
CT/RC/50	50
CT/RC/85	85
CT/RC/110	110

On order specify width

VERTICAL HINGE PIECE TYPE : CT/VHP

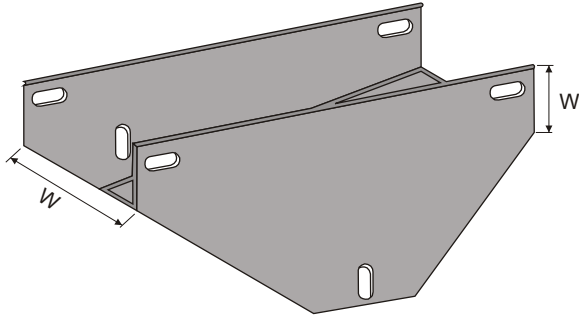


Catalog No.	H (mm)
CT/VHP/35	35
CT/VHP/50	50
CT/VHP/85	85
CT/SJP/110	110

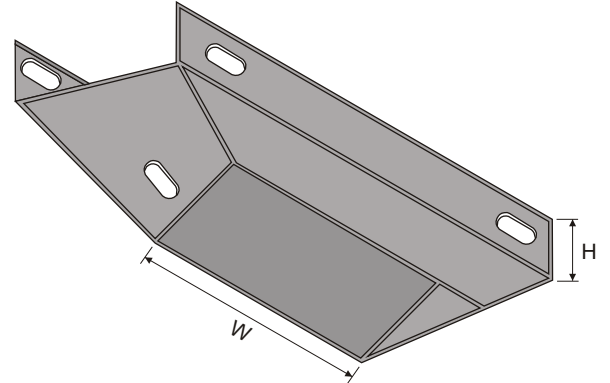
On order specify width

SADENCO CABLE TRAY AND FITTINGS

VERTICAL TEE PIECE (IN LINE)
TYPE : CT/VTP/I



VERTICAL TEE PIECE (OFFSET)
TYPE : CT/VTP/O



SIDE HEIGHT : 35mm

SIDE HEIGHT : 50mm

Item No.	Width W (mm)	Item No.	Width W (mm)
CT/VTP/I/35/50	50	CT/VTP/I/50/50	50
CT/VTP/I/35/100	100	CT/VTP/I/50/100	100
CT/VTP/I/35/150	150	CT/VTP/I/50/150	150
CT/VTP/I/35/200	200	CT/VTP/I/50/200	200
CT/VTP/I/35/300	300	CT/VTP/I/50/300	300
CT/VTP/I/35/400	400	CT/VTP/I/50/400	400
CT/VTP/I/35/500	500	CT/VTP/I/50/500	500
CT/VTP/I/35/600	600	CT/VTP/I/50/600	600
		CT/VTP/I/50/900	900

SIDE HEIGHT : 35mm

SIDE HEIGHT : 50mm

Item No.	Width W (mm)	Item No.	Width W (mm)
CT/VTP/O/35/50	50	CT/VTP/O/50/50	50
CT/VTP/O/35/100	100	CT/VTP/O/50/100	100
CT/VTP/O/35/150	150	CT/VTP/O/50/150	150
CT/VTP/O/35/200	200	CT/VTP/O/50/200	200
CT/VTP/O/35/300	300	CT/VTP/O/50/300	300
CT/VTP/O/35/400	400	CT/VTP/O/50/400	400
CT/VTP/O/35/500	500	CT/VTP/O/50/500	500
CT/VTP/O/35/600	600	CT/VTP/O/50/600	600
		CT/VTP/O/50/900	900

SIDE HEIGHT : 85mm

SIDE HEIGHT : 110mm

Item No.	Width W (mm)	Item No.	Width W (mm)
CT/VTP/I/85/50	50	CT/VTP/I/110/50	50
CT/VTP/I/85/100	100	CT/VTP/I/110/100	100
CT/VTP/I/85/150	150	CT/VTP/I/110/150	150
CT/VTP/I/85/200	200	CT/VTP/I/110/200	200
CT/VTP/I/85/300	300	CT/VTP/I/110/300	300
CT/VTP/I/85/400	400	CT/VTP/I/110/400	400
CT/VTP/I/85/500	500	CT/VTP/I/110/500	500
CT/VTP/I/85/600	600	CT/VTP/I/110/600	600
CT/VTP/I/85/900	900	CT/VTP/I/110/900	900

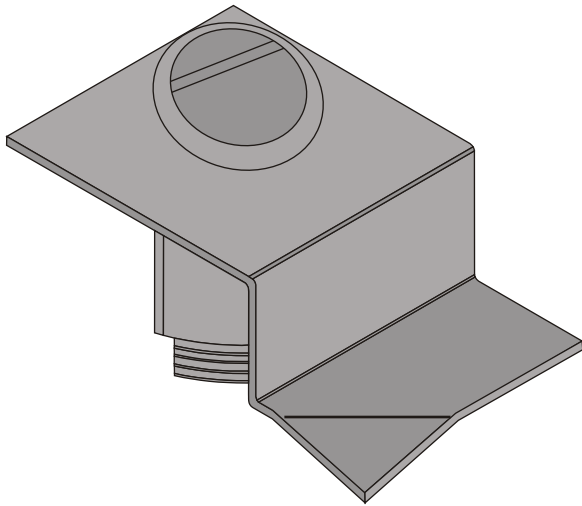
SIDE HEIGHT : 85mm

SIDE HEIGHT : 110mm

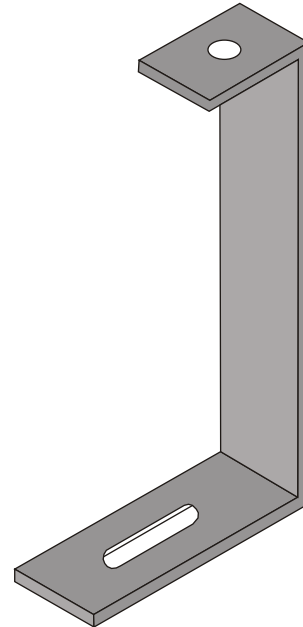
Item No.	Width W (mm)	Item No.	Width W (mm)
CT/VTP/O/85/50	50	CT/VTP/O/110/50	50
CT/VTP/O/85/100	100	CT/VTP/O/110/100	100
CT/VTP/O/85/150	150	CT/VTP/O/110/150	150
CT/VTP/O/85/200	200	CT/VTP/O/110/200	200
CT/VTP/O/85/300	300	CT/VTP/O/110/300	300
CT/VTP/O/85/400	400	CT/VTP/O/110/400	400
CT/VTP/O/85/500	500	CT/VTP/O/110/500	500
CT/VTP/O/85/600	600	CT/VTP/O/110/600	600
CT/VTP/O/85/900	900	CT/VTP/O/110/900	900

SADENCO CABLE TRAY AND FITTINGS

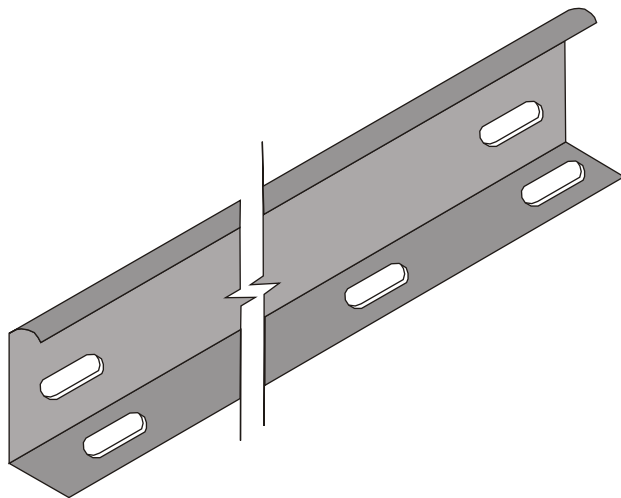
COVER LOCK DEVICE
TYPE : CT/CLD
for Close type



COVER BRACKET
TYPE : CT/CB
for Ventilated type



SEPARATORS STRIP
TYPE : CT/SS

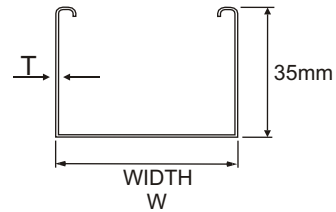
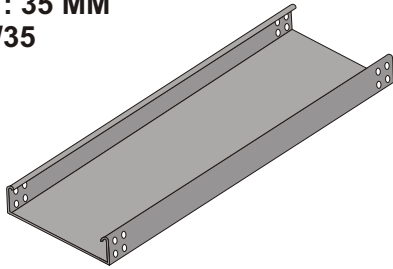


Catalog No.	H (mm)
CT/SS/35	35
CT/SS/50	50
CT/SS/85	85
CT/SS/110	110

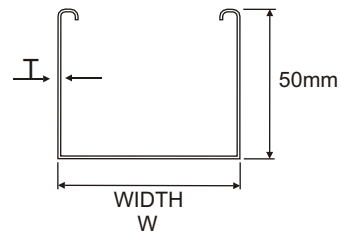
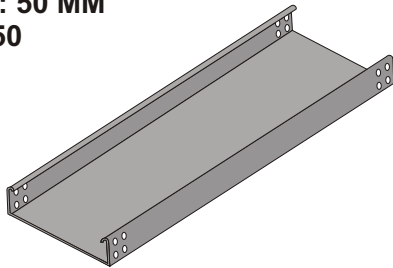
SADENCO SOLID CABLE TRAY AND FITTINGS

STANDARD LENGT : 3 Meters
MATERIALS : Hot Rolled Steel Sheet
: Aluminum
: Stainless Steel
FINISHING : Hot Dip Galvanizing to BS 729
: Polyester Powder Coated
: Other finishing available on request

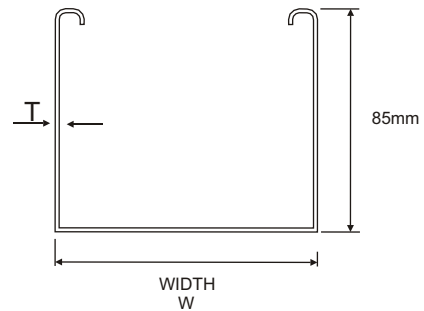
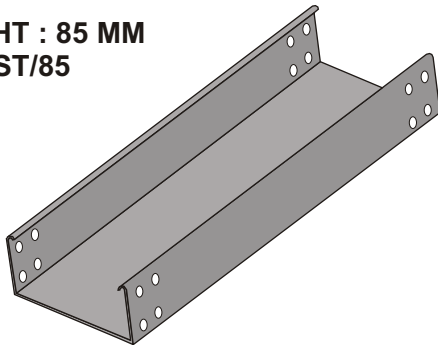
SIDE HEIGHT : 35 MM
TYPE: CT/ST/35



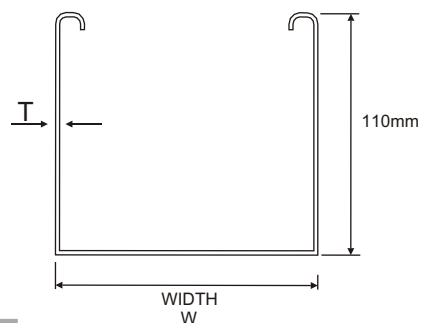
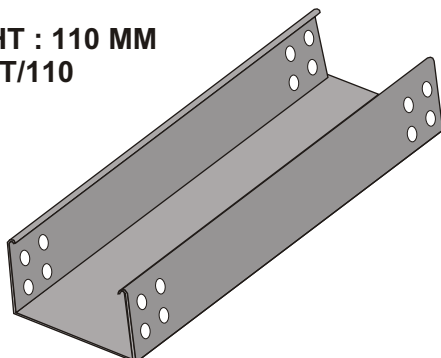
SIDE HEIGHT : 50 MM
TYPE: CT/ST/50



SIDE HEIGHT : 85 MM
TYPE : CT/ST/85



SIDE HEIGHT : 110 MM
TYPE: CT/ST/110



SADENCO SOLID CABLE TRAY AND FITTINGS

SIDE HEIGHT : 35 MM
TYPE: CT/ST/35

Catalog No.	Width W (mm)	Steel Thick T (mm)
CT/ST1/35/50	50	1.0
CT/ST1/35/100	100	1.0
CT/ST1/35/150	150	1.0
CT/ST1/35/200	200	1.0
CT/ST1/35/300	300	1.0
CT/ST2/35/50	50	1.5
CT/ST2/35/100	100	1.5
CT/ST2/35/150	150	1.5
CT/ST2/35/200	200	1.5
CT/ST2/35/300	300	1.5
CT/ST2/35/400	400	1.5
CT/ST2/35/500	500	1.5
CT/ST2/35/600	600	1.5

SIDE HEIGHT : 50 MM
TYPE: CT/ST/50

Catalog No.	Width W (mm)	Steel Thick T (mm)
CT/ST3/50/50	50	1.0
CT/ST3/50/100	100	1.0
CT/ST3/50/150	150	1.0
CT/ST3/50/200	200	1.0
CT/ST3/50/300	300	1.0
CT/ST4/50/50	50	1.5
CT/ST4/50/100	100	1.5
CT/ST4/50/150	150	1.5
CT/ST4/50/200	200	1.5
CT/ST4/50/300	300	1.5
CT/ST4/50/400	400	1.5
CT/ST4/50/500	500	1.5
CT/ST4/50/600	600	1.5
CT/ST5/50/50	50	2.0
CT/ST5/50/100	100	2.0
CT/ST5/50/150	150	2.0
CT/ST5/50/200	200	2.0
CT/ST5/50/300	300	2.0
CT/ST5/50/400	400	2.0
CT/ST5/50/500	500	2.0
CT/ST5/50/600	600	2.0
CT/ST5/50/900	900	2.0

SIDE HEIGHT : 85 MM
TYPE: CT/ST/85

Catalog No.	Steel Thick T (mm)	Width W (mm)
CT/ST6/85/100	1.5	100
CT/ST6/85/150	1.5	150
CT/ST6/85/200	1.5	200
CT/ST6/85/300	1.5	300
CT/ST6/85/400	1.5	400
CT/ST6/85/500	1.5	500
CT/ST6/85/600	1.5	600
CT/ST7/85/100	2.0	100
CT/ST7/85/150	2.0	150
CT/ST7/85/200	2.0	200
CT/ST7/85/300	2.0	300
CT/ST7/85/400	2.0	400
CT/ST7/85/500	2.0	500
CT/ST7/85/600	2.0	600
CT/ST7/85/900	2.0	900

SIDE HEIGHT : 110 MM
TYPE: CT/ST/110

catalog No.	Steel Thick T (mm)	Width W (mm)
CT/ST8/110/100	1.5	100
CT/ST8/110/150	1.5	150
CT/ST8/110/200	1.5	200
CT/ST8/110/300	1.5	300
CT/ST8/110/400	1.5	400
CT/ST8/110/500	1.5	500
CT/ST8/110/600	1.5	600
CT/ST9/110/100	2.0	100
CT/ST9/110/150	2.0	150
CT/ST9/110/200	2.0	200
CT/ST9/110/300	2.0	300
CT/ST9/110/400	2.0	400
CT/ST9/110/500	2.0	500
CT/ST9/110/600	2.0	600
CT/ST9/110/900	2.0	900

TO ORDER SPECIFY THE FOLLOWING : CATALOG #., MATERIALS AND FINISHING

SADENCO SOLID CABLE TRAY AND FITTINGS

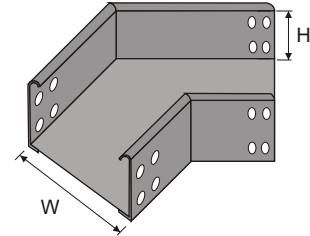
SIDE HEIGHT : 35mm

Catalog No.	Width W (mm)
SB/CT45°HB/35/50	50
SB/CT45°HB/35/100	100
SB/CT45°HB/35/150	150
SB/CT45°HB/35/200	200
SB/CT45°HB/35/300	300
SB/CT45°HB/35/400	400
SB/CT45°HB/35/500	500
SB/CT45°HB/35/600	600

SIDE HEIGHT : 50mm

Catalog No.	Width W (mm)
SB/CT45°HB/50/50	50
SB/CT45°HB/50/100	100
SB/CT45°HB/50/150	150
SB/CT45°HB/50/200	200
SB/CT45°HB/50/300	300
SB/CT45°HB/50/400	400
SB/CT45°HB/50/500	500
SB/CT45°HB/50/600	600
SB/CT45°HB/50/900	900

**45° HORIZONTAL BEND
CATALOG #: SB/CT/45° HB**



SIDE HEIGHT : 85mm

Catalog No.	Width W (mm)
SB/CT45°HB/85/50	50
SB/CT45°HB/85/100	100
SB/CT45°HB/85/150	150
SB/CT45°HB/85/200	200
SB/CT45°HB/85/300	300
SB/CT45°HB/85/400	400
SB/CT45°HB/85/500	500
SB/CT45°HB/85/600	600
SB/CT45°HB/85/900	900

SIDE HEIGHT : 110mm

Catalog No.	Width W (mm)
SB/CT45°HB/110/50	50
SB/CT45°HB/110/100	100
SB/CT45°HB/110/150	150
SB/CT45°HB/110/200	200
SB/CT45°HB/110/300	300
SB/CT45°HB/110/400	400
SB/CT45°HB/110/500	500
SB/CT45°HB/110/600	600
SB/CT45°HB/110/900	900

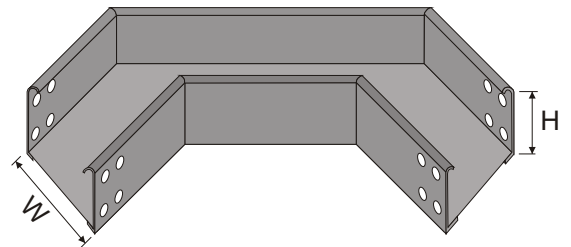
SIDE HEIGHT : 35mm

Catalog No.	Width W (mm)
SB/CT90°HB/35/50	50
SB/CT90°HB/35/100	100
SB/CT90°HB/35/150	150
SB/CT90°HB/35/200	200
SB/CT90°HB/35/300	300
SB/CT90°HB/35/400	400
SB/CT90°HB/35/500	500
SB/CT90°HB/35/600	600

SIDE HEIGHT : 50mm

Catalog No.	Width W (mm)
SB/CT90°HB/50/50	50
SB/CT90°HB/50/100	100
SB/CT90°HB/50/150	150
SB/CT90°HB/50/200	200
SB/CT90°HB/50/300	300
SB/CT90°HB/50/400	400
SB/CT90°HB/50/500	500
SB/CT90°HB/50/600	600
SB/CT90°HB/50/900	900

**90° HORIZONTAL BEND
CATALOG #: SB/CT/90° HB**



SIDE HEIGHT : 85mm

Catalog No.	Width W (mm)
SB/CT90°HB/85/50	50
SB/CT90°HB/85/100	100
SB/CT90°HB/85/150	150
SB/CT90°HB/85/200	200
SB/CT90°HB/85/300	300
SB/CT90°HB/85/400	400
SB/CT90°HB/85/500	500
SB/CT90°HB/85/600	600
SB/CT90°HB/85/900	900

SIDE HEIGHT : 110mm

Catalog No.	Width W (mm)
SB/CT90°HB/110/50	50
SB/CT90°HB/110/100	100
SB/CT90°HB/110/150	150
SB/CT90°HB/110/200	200
SB/CT90°HB/110/300	300
SB/CT90°HB/110/400	400
SB/CT90°HB/110/500	500
SB/CT90°HB/110/600	600
SB/CT90°HB/110/900	900

SADENCO SOLID CABLE TRAY AND FITTINGS

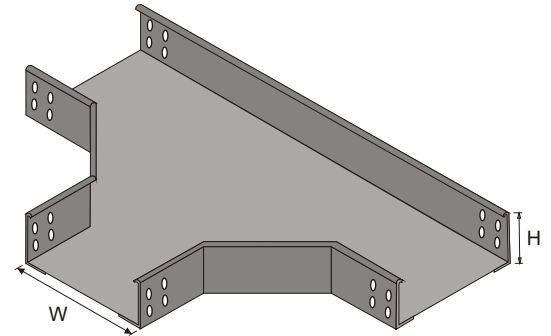
SIDE HEIGHT : 35mm

Catalog No.	Width W (mm)
SB/CT/HTP/35/50	50
SB/CT/HTP/35/100	100
SB/CT/HTP/35/150	150
SB/CT/HTP/35/200	200
SB/CT/HTP/35/300	300
SB/CT/HTP/35/400	400
SB/CT/HTP/35/500	500
SB/CT/HTP/35/600	600

SIDE HEIGHT : 50mm

Catalog No.	Width W (mm)
SB/CT/HTP/50/50	50
SB/CT/HTP/50/100	100
SB/CT/HTP/50/150	150
SB/CT/HTP/50/200	200
SB/CT/HTP/50/300	300
SB/CT/HTP/50/400	400
SB/CT/HTP/50/500	500
SB/CT/HTP/50/600	600
SB/CT/HTP/50/900	900

HORIZONTAL TEE PIECE CATALOG #: SB/CT/HTP



SIDE HEIGHT : 85mm

Catalog No.	Width W (mm)
SB/CT/HTP/85/50	50
SB/CT/HTP/85/100	100
SB/CT/HTP/85/150	150
SB/CT/HTP/85/200	200
SB/CT/HTP/85/300	300
SB/CT/HTP/85/400	400
SB/CT/HTP/85/500	500
SB/CT/HTP/85/600	600
SB/CT/HTP/85/900	900

SIDE HEIGHT : 110mm

Catalog No.	Width W (mm)
SB/CT/HTP/110/50	50
SB/CT/HTP/110/100	100
SB/CT/HTP/110/150	150
SB/CT/HTP/110/200	200
SB/CT/HTP/110/300	300
SB/CT/HTP/110/400	400
SB/CT/HTP/110/500	500
SB/CT/HTP/110/600	600
SB/CT/HTP/110/900	900

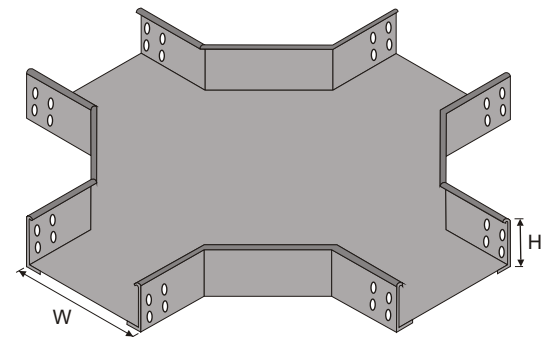
SIDE HEIGHT : 35mm

Catalog No.	Width W (mm)
SB/CT/CP/35/50	50
SB/CT/CP/35/100	100
SB/CT/CP/35/150	150
SB/CT/CP/35/200	200
SB/CT/CP/35/300	300
SB/CT/CP/35/400	400
SB/CT/CP/35/500	500
SB/CT/CP/35/600	600

SIDE HEIGHT : 50mm

Catalog No.	Width W (mm)
SB/CT/CP/50/50	50
SB/CT/CP/50/100	100
SB/CT/CP/50/150	150
SB/CT/CP/50/200	200
SB/CT/CP/50/300	300
SB/CT/CP/50/400	400
SB/CT/CP/50/500	500
SB/CT/CP/50/600	600
SB/CT/CP/50/900	900

CROSS PIECE CATALOG # : SB/CT/CP



SIDE HEIGHT : 85mm

Catalog No.	Width W (mm)
SB/CT/CP/85/50	50
SB/CT/CP/85/100	100
SB/CT/CP/85/150	150
SB/CT/CP/85/200	200
SB/CT/CP/85/300	300
SB/CT/CP/85/400	400
SB/CT/CP/85/500	500
SB/CT/CP/85/600	600
SB/CT/CP/85/900	900

SIDE HEIGHT : 110mm

Catalog No.	Width W (mm)
SB/CT/CP/110/50	50
SB/CT/CP/110/100	100
SB/CT/CP/110/150	150
SB/CT/CP/110/200	200
SB/CT/CP/110/300	300
SB/CT/CP/110/400	400
SB/CT/CP/110/500	500
SB/CT/CP/110/600	600
SB/CT/CP/110/900	900

SADENCO SOLID CABLE TRAY AND FITTINGS

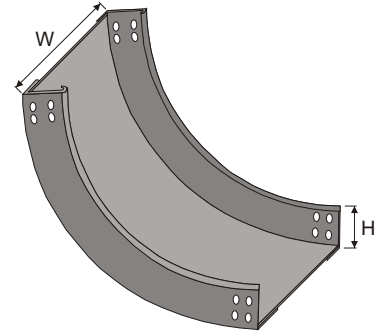
SIDE HEIGHT : 35mm

Catalog No.	Width W (mm)
SB/CT/IR90/35/50	50
SB/CT/IR90/35/100	100
SB/CT/IR90/35/150	150
SB/CT/IR90/35/200	200
SB/CT/IR90/35/300	300
SB/CT/IR90/35/400	400
SB/CT/IR90/35/500	500
SB/CT/IR90/35/600	600

SIDE HEIGHT : 50mm

Catalog No.	Width W (mm)
SB/CT/IR90/50/50	50
SB/CT/IR90/50/100	100
SB/CT/IR90/50/150	150
SB/CT/IR90/50/200	200
SB/CT/IR90/50/300	300
SB/CT/IR90/50/400	400
SB/CT/IR90/50/500	500
SB/CT/IR90/50/600	600
SB/CT/IR90/50/900	900

INSIDE RISER 90° TYPE: SB/CT/IR90



SIDE HEIGHT : 85mm

Catalog No.	Width W (mm)
SB/CT/IR90/85/50	50
SB/CT/IR90/85/100	100
SB/CT/IR90/85/150	150
SB/CT/IR90/85/200	200
SB/CT/IR90/85/300	300
SB/CT/IR90/85/400	400
SB/CT/IR90/85/500	500
SB/CT/IR90/85/600	600
SB/CT/IR90/85/900	900

SIDE HEIGHT : 110mm

Catalog No.	Width W (mm)
SB/CT/IR90/110/50	50
SB/CT/IR90/110/100	100
SB/CT/IR90/110/150	150
SB/CT/IR90/110/200	200
SB/CT/IR90/110/300	300
SB/CT/IR90/110/400	400
SB/CT/IR90/110/500	500
SB/CT/IR90/110/600	600
SB/CT/IR90/110/900	900

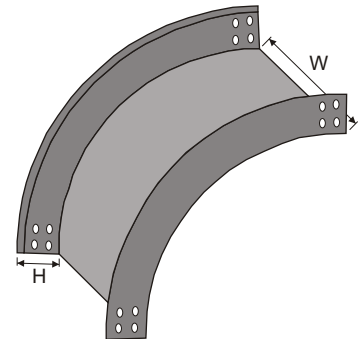
SIDE HEIGHT : 35mm

CatalogNo.	Width W (mm)
SB/CT/OR90/35/50	50
SB/CT/OR90/35/100	100
SB/CT/OR90/35/150	150
SB/CT/OR90/35/200	200
SB/CT/OR90/35/300	300
SB/CT/OR90/35/400	400
SB/CT/OR90/35/500	500
SB/CT/OR90/35/600	600

SIDE HEIGHT : 50mm

Catalog No.	Width W (mm)
SB/CT/OR90/50/50	50
SB/CT/OR90/50/100	100
SB/CT/OR90/50/150	150
SB/CT/OR90/50/200	200
SB/CT/OR90/50/300	300
SB/CT/OR90/50/400	400
SB/CT/OR90/50/500	500
SB/CT/OR90/50/600	600
SB/CT/OR90/50/900	900

OUTSIDE RISER 90° Catalog #: SB/CT/OR90



SIDE HEIGHT : 85mm

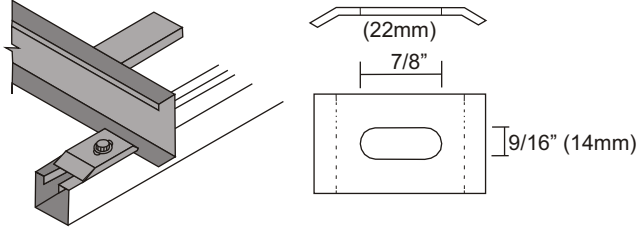
Catalog No.	Width W (mm)
SB/CT/OR90/85/50	50
SB/CT/OR90/85/100	100
SB/CT/OR90/85/150	150
SB/CT/OR90/85/200	200
SB/CT/OR90/85/300	300
SB/CT/OR90/85/400	400
SB/CT/OR90/85/500	500
SB/CT/OR90/85/600	600
SB/CT/OR90/85/900	900

SIDE HEIGHT : 110mm

Catalog No.	Width W (mm)
SB/CT/OR90/110/50	50
SB/CT/OR90/110/100	100
SB/CT/OR90/110/150	150
SB/CT/OR90/110/200	200
SB/CT/OR90/110/300	300
SB/CT/OR90/110/400	400
SB/CT/OR90/110/500	500
SB/CT/OR90/110/600	600
SB/CT/OR90/110/900	900

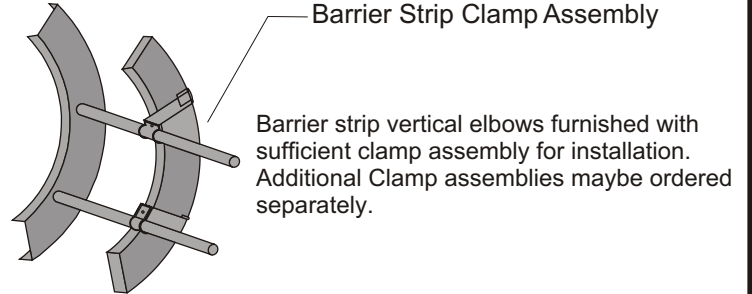
SADENCO SOLID CABLE TRAY AND FITTINGS

HOLD DOWN CLAMP TYPE: CL/A/HDC



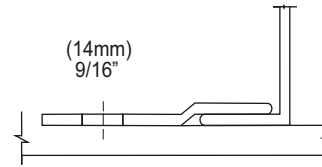
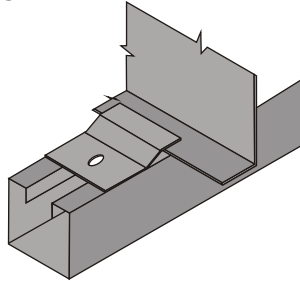
BARRIER STRIP VERTICAL ELBOW OUTSIDE & INSIDE

Part No. SB
Reverse for Vertical Inside Elbow

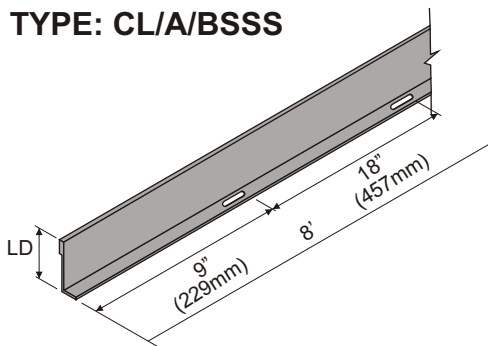


TYPE: CL/A/BSVE

EXPANSION CLAMP TYPE: CL/A/EC

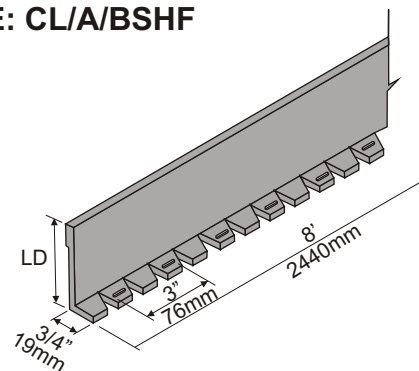


BARRIER STRIP STRAIGHT SECTION TYPE: CL/A/BSSS



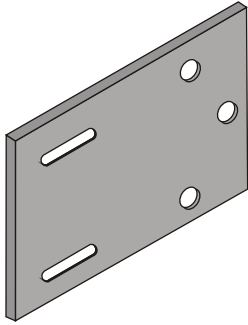
Barrier strip straight section and horizontal fittings furnished with necessary hardware

BARRIER STRIP HORIZONTAL FITTING TYPE: CL/A/BSHF



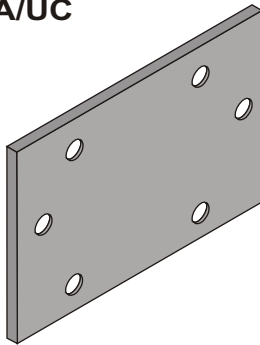
SADENCO CABLE LADDER ACCESSORIES

EXPANSION CONNECTOR TYPE: CL/A/EC



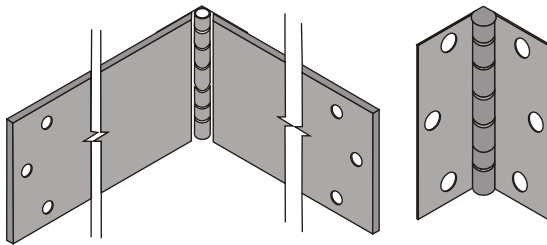
CATALOG #		LOAD DEPTH
ALUMINUM	STEEL	
CL/A/EC3A	CL/A/EC3S	3"
CL/A/EC4A	CL/A/EC4S	4"
CL/A/EC5A	CL/A/EC5S	5"
CL/A/EC6A	CL/A/EC6S	6"

UNIVERSAL CONNECTOR TYPE: CL/A/UC



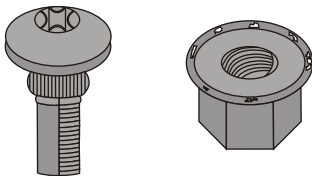
CATALOG #		LOAD DEPTH
ALUMINUM	STEEL	
CL/A/UC3A	CL/A/UC3S	3"
CL/A/UC4A	CL/A/UC4S	4"
CL/A/UC5A	CL/A/UC5S	5"
CL/A/UC6A	CL/A/UC6S	6"

HORIZONTAL ADJ. CONNECTOR TYPE: CL/A/HC



CATALOG #		LOAD DEPTH
ALUMINUM	STEEL	
CL/A/HC3A	CL/A/HC3S	3"
CL/A/HC4A	CL/A/HC4S	4"
CL/A/HC5A	CL/A/HC5S	5"
CL/A/HC6A	CL/A/HC6S	6"

CONNECTOR HARDWARE TYPE: CL/A/CH

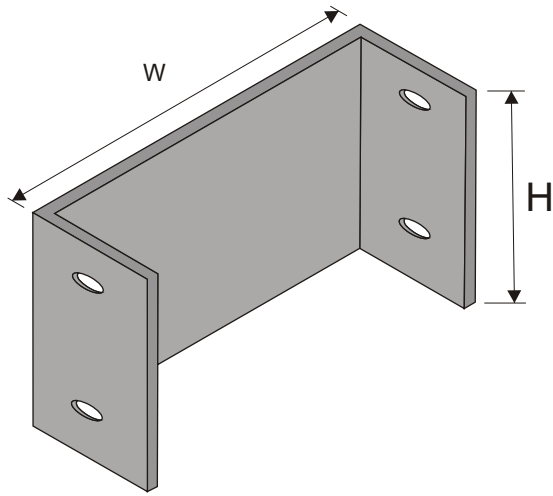


CATALOG #	MATERIALS
CL/A/CH1	STAINLESS STEEL BOLT
CL/A/CH2	GALVANIZED BOLT

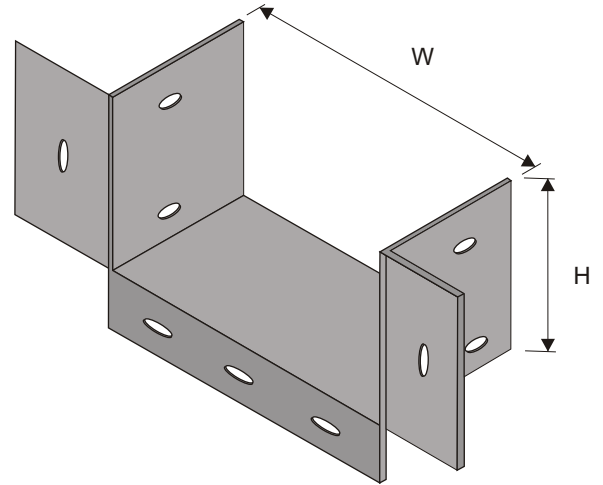
Bolt Size: 3/8 -16
Serrated Washer Face Nut Size: 3/8

SADENCO CABLE LADDER ACCESSORIES

BLIND END Catalog # : SBE



BOX CONNECTOR Catalog # : BCS

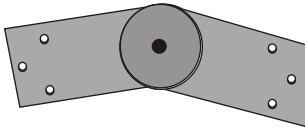


WIDTH (W)	LOAD DEPTH	CATALOG NO.	
		STEEL	ALUMINUM
6"	3"	SBE053S	SBE053A
	4"	SBE054S	SBE054A
	5"	SBE055S	SBE055A
	6"	SBE055S	SBE055A
9"	3"	SBE053S	SBE053A
	4"	SBE054S	SBE054A
	5"	SBE055S	SBE055A
	6"	SBE056S	SBE056A
12"	3"	SBE063S	SBE063A
	4"	SBE064S	SBE064A
	5"	SBE065S	SBE065A
	6"	SBE065S	SBE065A
18"	3"	SBE073S	SBE073A
	4"	SBE074S	SBE074A
	5"	SBE075S	SBE075A
	6"	SBE076S	SBE076A
24"	3"	SBE083S	SBE083A
	4"	SBE084S	SBE084A
	5"	SBE085S	SBE085A
	6"	SBE086S	SBE086A
30"	3"	SBE093S	SBE093A
	4"	SBE094S	SBE094A
	5"	SBE095S	SBE095A
	6"	SBE096S	SBE096A
36"	3"	SBE103S	SBE103A
	4"	SBE104S	SBE104A
	5"	SBE105S	SBE105A
	6"	SBE106S	SBE106A

WIDTH (W)	LOAD DEPTH	CATALOG NO.	
		STEEL	ALUMINUM
6"	3"	BCS053S	BCS053A
	4"	BCS054S	BCS054A
	5"	BCS055S	BCS055A
	6"	BCS055S	BCS055A
9"	3"	BCS053S	BCS053A
	4"	BCS054S	BCS054A
	5"	BCS055S	BCS055A
	6"	BCS056S	BCS056A
12"	3"	BCS063S	BCS063A
	4"	BCS064S	BCS064A
	5"	BCS065S	BCS065A
	6"	BCS065S	BCS065A
18"	3"	BCS073S	BCS073A
	4"	BCS074S	BCS074A
	5"	BCS075S	BCS075A
	6"	BCS076S	BCS076A
24"	3"	BCS083S	BCS083A
	4"	BCS084S	BCS084A
	5"	BCS085S	BCS085A
	6"	BCS086S	BCS086A
30"	3"	BCS093S	BCS093A
	4"	BCS094S	BCS094A
	5"	BCS095S	BCS095A
	6"	BCS096S	BCS096A
36"	3"	BCS103S	BCS103A
	4"	BCS104S	BCS104A
	5"	BCS105S	BCS105A
	6"	BCS106S	BCS106A

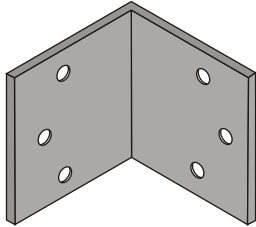
SADENCO CABLE LADDER ACCESSORIES

VERTICAL ADJUSTABLE CONNECTOR TYPE : CL/A/VAC



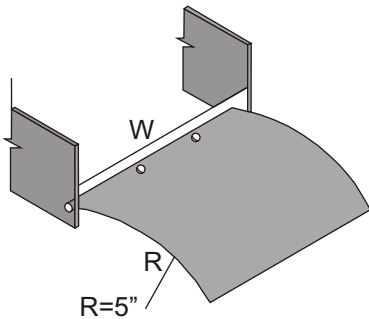
CATALOG #		LOAD DEPTH
ALUMINUM	STEEL	
CL/A/VAC/A3	CL/A/VAC/S3	3"
CL/A/VAC/A4	CL/A/VAC/S4	4"
CL/A/VAC/A5	CL/A/VAC/S5	5"
CL/A/VAC/A6	CL/A/VAC/S6	6"

90° ANGLE CONNECTOR TYPE : CL/A/AC90



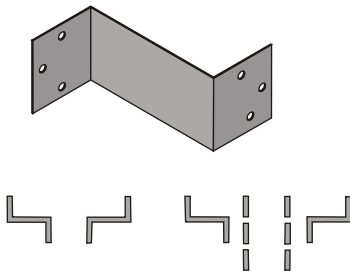
CATALOG #		LOAD DEPTH
ALUMINUM	STEEL	
CL/A/AC90/A3	CL/A/AC90/S3	3"
CL/A/AC90/A4	CL/A/AC90/S4	4"
CL/A/AC90/A5	CL/A/AC90/S5	5"
CL/A/AC90/A6	CL/A/AC90/S6	6"

DROP OUT TYPE : CL/A/DO



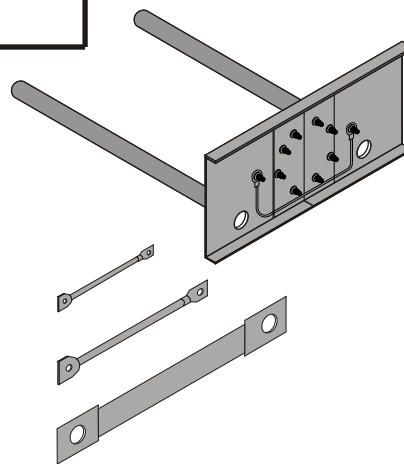
CATALOG #		LOAD DEPTH
ALUMINUM	STEEL	
CL/A/DO3A	CL/A/DO3S	3"
CL/A/DO4A	CL/A/DO4S	4"
CL/A/DO5A	CL/A/DO5S	5"
CL/A/DO6A	CL/A/DO6S	6"

REDUCED CONNECTOR TYPE : CL/A/RC



CATALOG #		LOAD DEPTH
ALUMINUM	STEEL	
CL/A/RC/A3	CL/A/RC/S3	3"
CL/A/RC/A4	CL/A/RC/S4	4"
CL/A/RC/A5	CL/A/RC/S5	5"
CL/A/RC/A6	CL/A/RC/S6	6"

BONDING JUMPER TYPE : CL/A/BJ

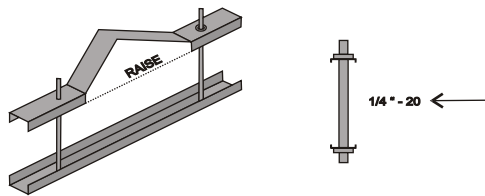


AMPERES	SIZE
	COPPER WIRE NO.
15	14
20	12
30	10
40	10
60	10
100	8
200	6
300	4
400	3
500	2
600	1
800	1/0
1000	2/0
1200	3/0
1600	4/0
2000	250 Kc mill
2500	350"
3000	400"
4000	500"
5000	700"
6000	800"

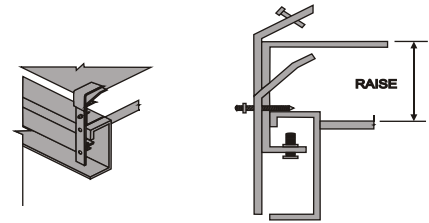
SADENCO CABLE LADDER ACCESSORIES

SELECTION TABLE										
CATALOG #	FLANGE		MATERIAL		RAISE		WIDTH		LENGTH	
	INCH	MM	STEEL	ALUMINUM	INCH	MM	INCH	MM	FEETS	METERS
CA/PCC			S	A			36"	914	12"	3.65
CA/ECC	2"	50.8	S	A	BY CUSTOMER	BY CUSTOMER	30"	762		
CA/EC	1 3/4"	44.5	S	A			24"	610		
CA/WC	1 1/4"	32	S	A			18"	457	10"	3.00
CA/CC	1 1/2"	38	S	A			9"	229		
CA/DCC	13/16"	21	S	A			12"	305		
							6"	152	8"	2.44

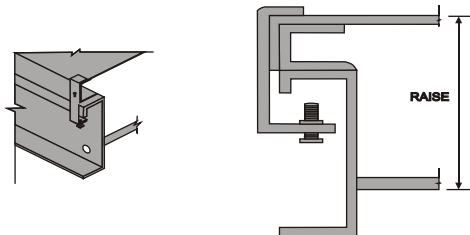
PEAK COVER CONNECTOR
TYPE: CA/PCC (for SC/PCS Cover)



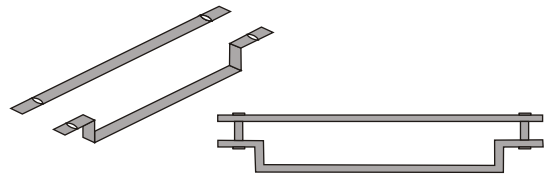
ELEVATED COVER CONNECTOR
TYPE: CA/ECC



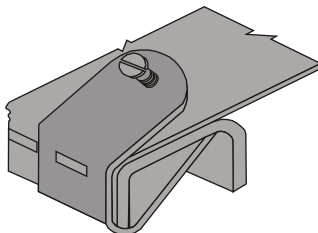
ELEVATED COVER CONNECTOR
TYPE: CA/EC



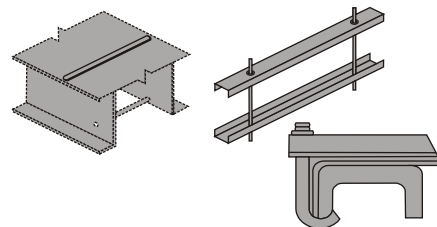
WRAP AROUND CONNECTOR
TYPE: CA/WC



COVER CLIP
TYPE: CA/CC
(For all Covers)



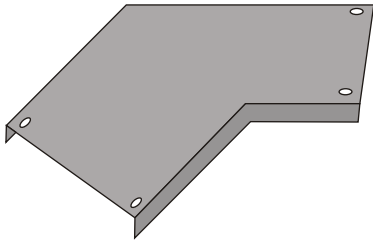
DOUBLE CLAMP CONNECTOR
TYPE: CA/DCC
(For All Covers except Hat & Peak Type)



ON ORDER SPECIFY: TYPE, FLANGE WIDTH, RAISE, RADIUS & MATERIALS

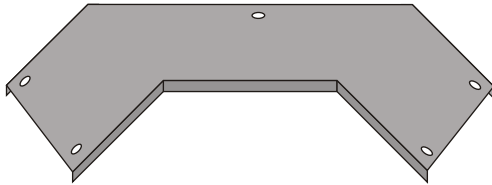
SADENCO CABLE TRAY COVERS

COVER - 45 ° HORIZONTAL BEND TYPE: CT/CHB45



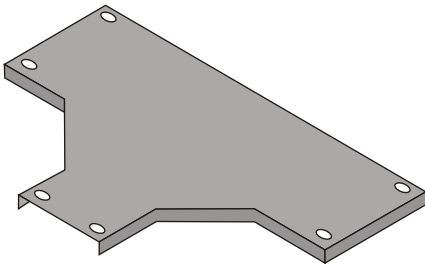
CATALOG NO.	WIDTH W (mm)
CT/CHB45/50	50
CT/CHB45/100	100
CT/CHB45/150	150
CT/CHB45/200	200
CT/CHB45/300	300
CT/CHB45/400	400
CT/CHB45/500	500
CT/CHB45/600	600
CT/CHB45/900	900

COVER - 90 ° HORIZONTAL BEND TYPE: CT/CHB90



CATALOG NO.	WIDTH W (mm)
CT/CHB90/50	50
CT/CHB90/100	100
CT/CHB90/150	150
CT/CHB90/200	200
CT/CHB90/300	300
CT/CHB90/400	400
CT/CHB90/500	500
CT/CHB90/600	600
CT/CHB90/900	900

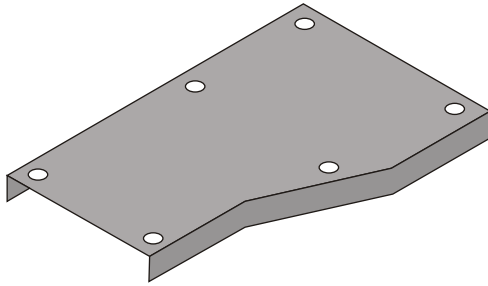
COVER - HORIZONTAL TEE TYPE: CT/CHT



CATALOG NO.	WIDTH W (mm)
CT/CHT/50	50
CT/CHT/100	100
CT/CHT/150	150
CT/CHT/200	200
CT/CHT/300	300
CT/CHT/400	400
CT/CHT/500	500
CT/CHT/600	600
CT/CHT/900	900

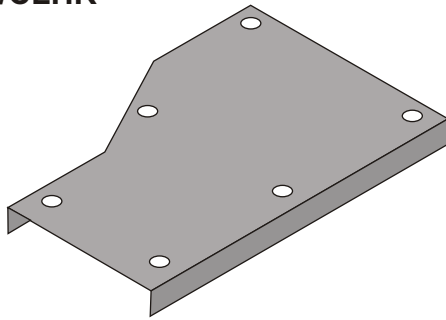
SADENCO CABLE TRAY COVERS

COVER - RIGHT HAND REDUCER
TYPE: CT/CRHR



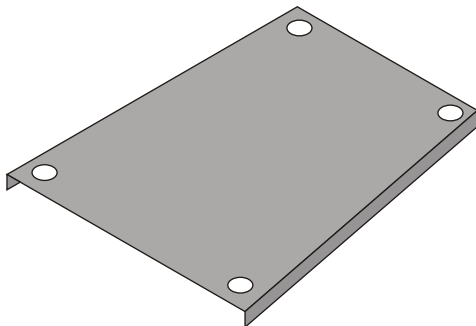
CATALOG NO.	WIDTH W (mm)
CT/CRHR/50	50
CT/CRHR/100	100
CT/CRHR/150	150
CT/CRHR/200	200
CT/CRHR/300	300
CT/CRHR/400	400
CT/CRHR/500	500
CT/CRHR/600	600
CT/CRHR/900	900

COVER - LEFT HAND REDUCER
TYPE: CT/CLHR



CATALOG NO.	WIDTH W (mm)
CT/CLHR/50	50
CT/CLHR/100	100
CT/CLHR/150	150
CT/CLHR/200	200
CT/CLHR/300	300
CT/CLHR/400	400
CT/CLHR/500	500
CT/CLHR/600	600
CT/CLHR/900	900

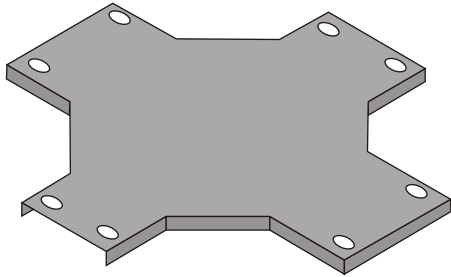
COVER - STRAIGHT REDUCER
TYPE: CT/CSR



CATALOG NO.	WIDTH W (mm)
CT/CSR/50	50
CT/CSR/100	100
CT/CSR/150	150
CT/CSR/200	200
CT/CSR/300	300
CT/CSR/400	400
CT/CSR/500	500
CT/CSR/600	600
CT/CSR/900	900

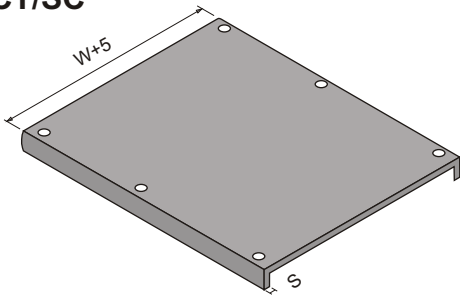
SADENCO CABLE TRAY COVERS

COVER - CROSS PIECE
TYPE: CT/CC



CATALOG NO.	WIDTH W (mm)
CT/CC/50	50
CT/CC/100	100
CT/CC/150	150
CT/CC/200	200
CT/CC/300	300
CT/CC/400	400
CT/CC/500	500
CT/CC/600	600
CT/CC/900	900

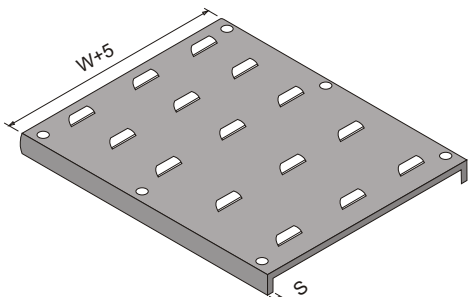
STRAIGHT COVER
TYPE: CT/SC



SOLID TYPE

CATALOG NO.	WIDTH W (mm)
CT/SC/50	50
CT/SC/100	100
CT/SC/150	150
CT/SC/200	200
CT/SC/300	300
CT/SC/400	400
CT/SC/500	500
CT/SC/600	600
CT/SC/900	900

STRAIGHT COVER
TYPE: CT/SCL

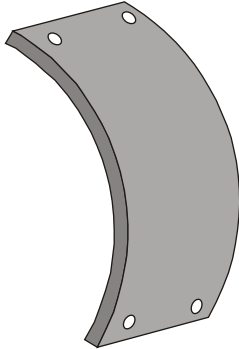


LOUVERED TYPE

CATALOG NO.	WIDTH W (mm)
CT/SCL/50	50
CT/SCL/100	100
CT/SCL/150	150
CT/SCL/200	200
CT/SCL/300	300
CT/SCL/400	400
CT/SCL/500	500
CT/SCL/600	600
CT/SCL/900	900

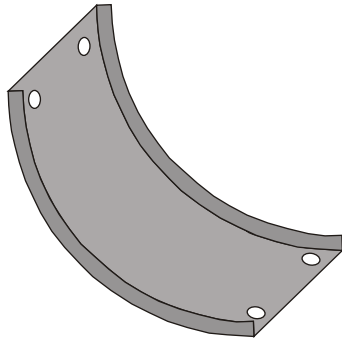
SADENCO CABLE TRAY COVERS

COVER - INSIDE RISER 90°
TYPE: CT/C90/IR



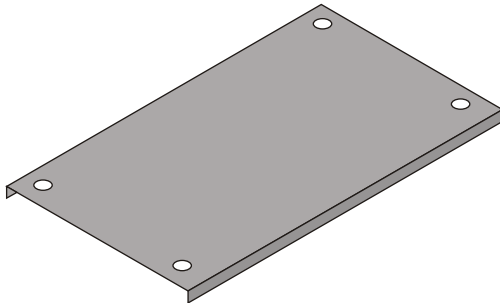
CATALOG NO.	WIDTH W (mm)
CT/C90/IR/50	50
CT/C90/IR/100	100
CT/C90/IR/150	150
CT/C90/IR/200	200
CT/C90/IR/300	300
CT/C90/IR/400	400
CT/C90/IR/500	500
CT/C90/IR/600	600
CT/C90/IR/900	900

COVER- OUTSIDE RISER 90°
TYPE: CT/C90/OR



CATALOG NO.	WIDTH W (mm)
CT/C90/OR/50	50
CT/C90/OR/100	100
CT/C90/OR/150	150
CT/C90/OR/200	200
CT/C90/OR/300	300
CT/C90/OR/400	400
CT/C90/OR/500	500
CT/C90/OR/600	600
CT/C90/OR/900	900

COVER- VERTICAL TEE PIECE
TYPE: CT/CVTP

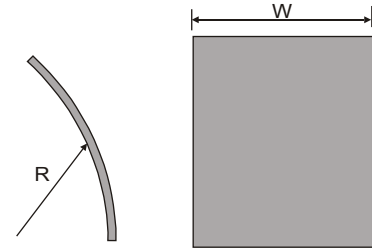


CATALOG NO.	WIDTH W (mm)
CT/CVTP/50	50
CT/CVTP/100	100
CT/CVTP/150	150
CT/CVTP/200	200
CT/CVTP/300	300
CT/CVTP/400	400
CT/CVTP/500	500
CT/CVTP/600	600
CT/CVTP/900	900

SADENCO FITTINGS COVER

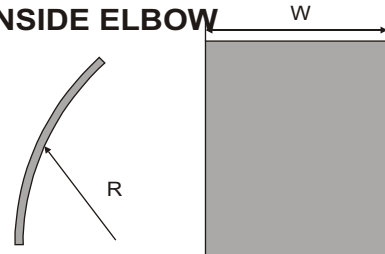
TYPE	STEEL	ALUMINUM	WIDTH		RADIUS	
			inch	mm	inch	mm
CL/C/VOE45	S	A	6"	152		
	S	A	9"	229	12"	305
	S	A	12"	305		
	S	A	18"	457	24"	610
	S	A	24"	610		
	S	A	30"	762	36"	914
	S	A	36"	914		

**45 ° VERTICAL
OUTSIDE ELBOW**



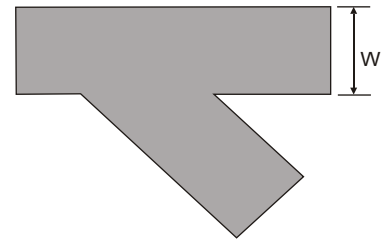
TYPE	STEEL	ALUMINUM	WIDTH		RADIUS	
			inch	mm	inch	mm
CL/C/VIE45	S	A	6"	152		
	S	A	9"	229	12"	305
	S	A	12"	305		
	S	A	18"	457	24"	610
	S	A	24"	610		
	S	A	30"	762	36"	914
	S	A	36"	914		

**45 ° VERTICAL
INSIDE ELBOW**



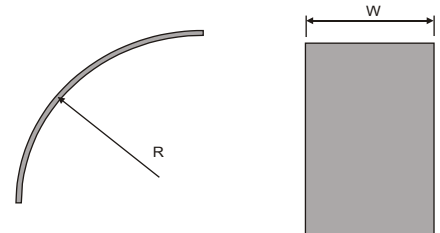
TYPE	STEEL	ALUMINUM	WIDTH		RADIUS	
			inch	mm	inch	mm
CL/C/YBT	S	A	6"	152		
	S	A	9"	229	12"	305
	S	A	12"	305		
	S	A	18"	457	24"	610
	S	A	24"	610		
	S	A	30"	762	36"	914
	S	A	36"	914		

45 ° "Y" BRANCH TEE



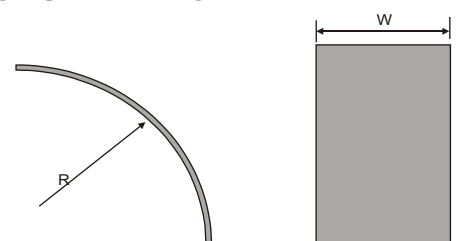
TYPE	STEEL	ALUMINUM	WIDTH		RADIUS	
			inch	mm	inch	mm
CL/C/VIE90	S	A	6"	152		
	S	A	9"	229	12"	305
	S	A	12"	305		
	S	A	18"	457	24"	610
	S	A	24"	610		
	S	A	30"	762	36"	914
	S	A	36"	914		

**90 ° VERTICAL
INSIDE ELBOW**



TYPE	STEEL	ALUMINUM	WIDTH		RADIUS	
			inch	mm	inch	mm
CL/C/VOE90	S	A	6"	152		
	S	A	9"	229	12"	305
	S	A	12"	305		
	S	A	18"	457	24"	610
	S	A	24"	610		
	S	A	30"	762	36"	914
	S	A	36"	914		

**90 ° VERTICAL
ONSIDE ELBOW**

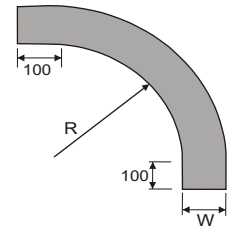


NOTE: ON ORDER SPECIFY - TYPE, FLANGE WIDTH, WIDTH, RADIUS AND MATERIAL
(A) FOR ALUMINUM (S) FOR STEEL

SADENCO FITTINGS COVER

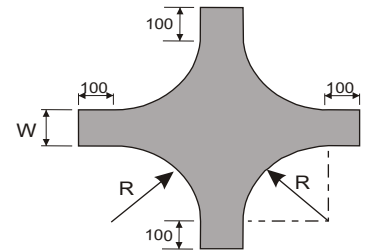
90 ° HORIZONTAL ELBOW TYPE: CL/C/HE90

TYPE	STEEL	ALUMINUM	WIDTH		RADIUS	
			inch	mm	inch	mm
CL/C/HE90	S	A	6"	152		
	S	A	9"	229	12"	305
	S	A	12"	305		
	S	A	18"	457	24"	610
	S	A	24"	610		
	S	A	30"	762	36"	914
	S	A	36"	914		



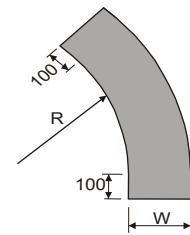
HORIZONTAL CROSS TYPE : CL/C/HC

TYPE	STEEL	ALUMINUM	WIDTH		RADIUS	
			inch	mm	inch	mm
CL/C/HC	S	A	6"	152		
	S	A	9"	229	12"	305
	S	A	12"	305		
	S	A	18"	457	24"	610
	S	A	24"	610		
	S	A	30"	762	36"	914
	S	A	36"	914		



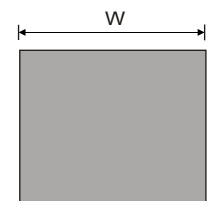
45 ° HORIZONTAL ELBOW TYPE: CL/C/HE45

TYPE	STEEL	ALUMINUM	WIDTH		RADIUS	
			inch	mm	inch	mm
CL/C/HE45	S	A	6"	152		
	S	A	9"	229	12"	305
	S	A	12"	305		
	S	A	18"	457	24"	610
	S	A	24"	610		
	S	A	30"	762	36"	914
	S	A	36"	914		



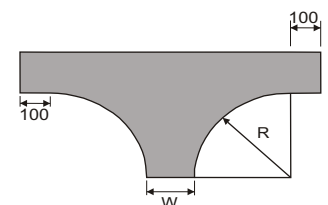
VERTICAL TEE TYPE: CL/CVT

TYPE	STEEL	ALUMINUM	WIDTH	
			inch	mm
CL/CVT	S	A	6"	152
	S	A	9"	229
	S	A	12"	305
	S	A	18"	457
	S	A	24"	610
	S	A	30"	762
	S	A	36"	914



HORIZONTAL TEE TYPE: CL/CHT

TYPE	STEEL	ALUMINUM	WIDTH		RADIUS	
			inch	mm	inch	mm
CL/C/HT	S	A	6"	152		
	S	A	9"	229	12"	305
	S	A	12"	305		
	S	A	18"	457	24"	610
	S	A	24"	610		
	S	A	30"	762	36"	914
	S	A	36"	914		

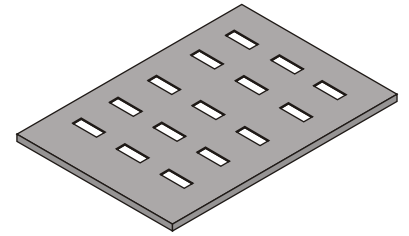


NOTE: ON ORDER SPECIFY - TYPE, FALNGE WIDTH, WIDTH, RADIUS AND MATERIAL (A) FOR ALUMINUM (S) FOR STEEL

SADENCO FITTINGS COVER

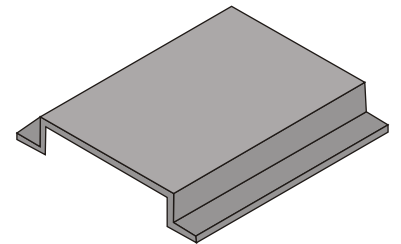
FLAT COVER
Louvered
TYPE: CL/SC/FC

TYPE	STEEL	ALUMINUM	WIDTH		LENGTH		FLANGE	
			inch	mm	inch	M	inch	mm
CL/SC/FC	S	A	6"	152	8"	2.44	13/16	21
	S	A	9"	229	10"	3.00	1 1/4	32
	S	A	12"	305	12"	3.65	1 1/2	38
	S	A	18"	457			1 3/4	44.5
	S	A	24"	610			2	50.8
	S	A	30"	762				
	S	A	36"	914				



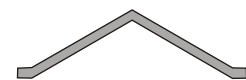
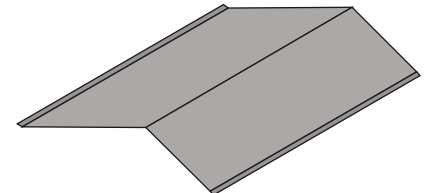
HAT COVER (Solid)
Suffix Height
TYPE: CL/SC/HC

TYPE	STEEL	ALUMINUM	WIDTH		LENGTH		FLANGE	
			inch	mm	inch	M	inch	mm
CL/SC/HC	S	A	6"	152	8"	2.44	13/16	21
	S	A	9"	229	10"	3.00	1 1/4	32
	S	A	12"	305	12"	3.65	1 1/2	38
	S	A	18"	457			1 3/4	44.5
	S	A	24"	610			2	50.8
	S	A	30"	762				
	S	A	36"	914				



PEAKED COVER SOLID
Suffix Height
TYPE: CL/SC/PCS

TYPE	STEEL	ALUMINUM	WIDTH		LENGTH		FLANGE	
			inch	mm	inch	M	inch	mm
CL/SC/PCS	S	A	6"	152	8"	2.44	13/16	21
	S	A	9"	229	10"	3.00	1 1/4	32
	S	A	12"	305	12"	3.65	1 1/2	38
	S	A	18"	457			1 3/4	44.5
	S	A	24"	610			2	50.8
	S	A	30"	762				
	S	A	36"	914				

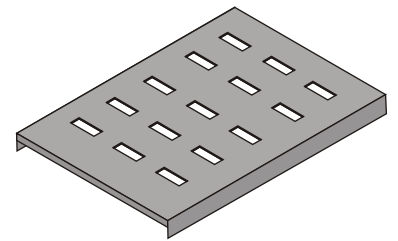


NOTE: ON ORDER PLEASE MENTION COLUMN # 1234 FOR (A) ALUMINUM AND (S) STEEL

SADENCO FITTINGS COVER

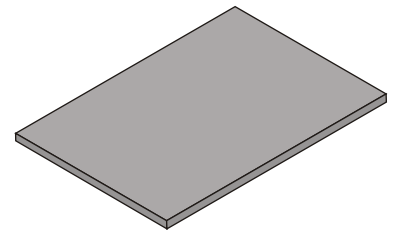
LOUVERED COVER Flange TYPE: CL/SC/LC

TYPE	STEEL	ALUMINUM	WIDTH		LENGTH		FLANGE	
			inch	mm	inch	M	inch	mm
CL/SC/LC	S	A	6"	152	8"	2.44	13/16	21
	S	A	9"	229	10"	3.00	1 1/4	32
	S	A	12"	305	12"	3.65	1 1/2	38
	S	A	18"	457			1 3/4	44.5
	S	A	24"	610			2	50.8
	S	A	30"	762				
	S	A	36"	914				



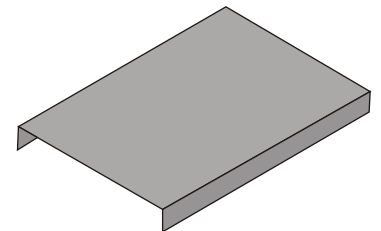
FLAT COVER NF (Solid) TYPE: CL/SC/FCS

TYPE	STEEL	ALUMINUM	WIDTH		LENGTH		FLANGE	
			inch	mm	inch	M	inch	mm
CL/SC/FCS	S	A	6"	152	8"	2.44	13/16	21
	S	A	9"	229	10"	3.00	1 1/4	32
	S	A	12"	305	12"	3.65	1 1/2	38
	S	A	18"	457			1 3/4	44.5
	S	A	24"	610			2	50.8
	S	A	30"	762				
	S	A	36"	914				



FLAT COVER SOLID W/ FLANGE TYPE: CL/SC/FCSF

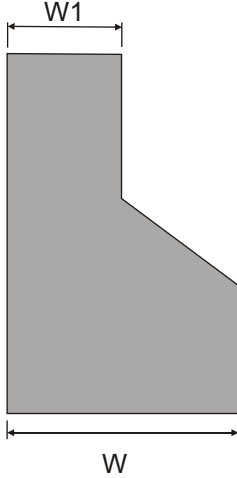
TYPE	STEEL	ALUMINUM	WIDTH		LENGTH		FLANGE	
			inch	mm	inch	M	inch	mm
CL/SC/FCSF	S	A	6"	152	8"	2.44	13/16	21
	S	A	9"	229	10"	3.00	1 1/4	32
	S	A	12"	305	12"	3.65	1 1/2	38
	S	A	18"	457			1 3/4	44.5
	S	A	24"	610			2	50.8
	S	A	30"	762				
	S	A	36"	914				



NOTE: ON ORDER PLEASE MENTION COLUMN # 1234 FOR (A) ALUMINUM AND (S) STEEL

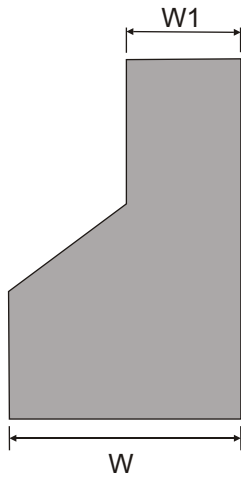
SADENCO FITTINGS COVER

LEFT HAND REDUCER



TYPE	STEEL	ALUMINUM	WIDTH		WIDTH (1)	
			inch	mm	inch	mm
CL/C/LHR	S	A	36"	152	30"	762
	S	A	30"	229	24"	610
	S	A	24"	305	18"	457
	S	A	18"	457	12"	305
	S	A	12"	610	9"	229
	S	A	9"	762	6"	152

RIGHT HAND REDUCER

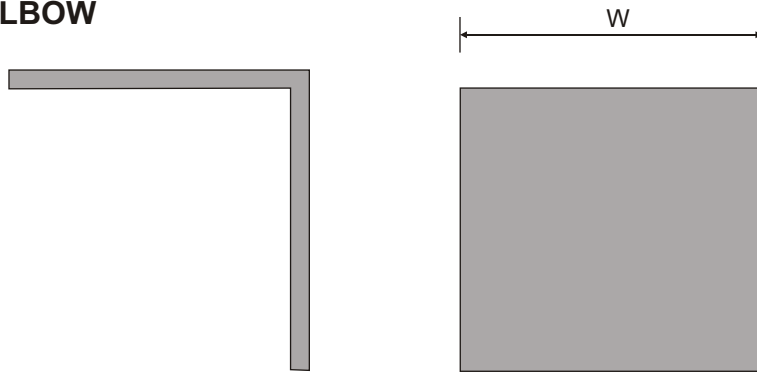


TYPE	STEEL	ALUMINUM	WIDTH		WIDTH (1)	
			inch	mm	inch	mm
CL/C/RHR	S	A	36"	152	30"	762
	S	A	30"	229	24"	610
	S	A	24"	305	18"	457
	S	A	18"	457	12"	305
	S	A	12"	610	9"	229
	S	A	9"	762	6"	152

NOTE: ON ORDER SPECIFY - TYPE, FALNGE WIDTH, WIDTH, RADIUSAND MATERIAL
(A) FOR ALUMINUM (S) FOR STEEL

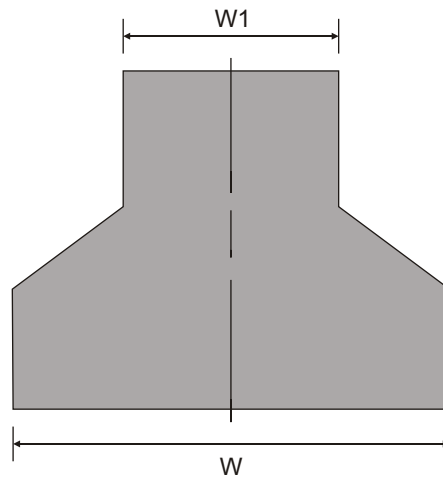
SADENCO FITTINGS COVER

90°VERTICAL CABLE SUPPORT ELBOW



TYPE	STEEL	ALUMINUM	WIDTH	
			inch	mm
CL/C/VCSE	S	A	6"	152
	S	A	9"	229
	S	A	12"	305
	S	A	18"	457
	S	A	24"	610
	S	A	36"	762

STRAIGHT REDUCER



TYPE	STEEL	ALUMINUM	WIDTH		WIDTH (1)	
			inch	mm	inch	mm
CL/C/SR	S	A	36"	152	30"	762
	S	A	30"	229	24"	610
	S	A	24"	305	18"	457
	S	A	18"	457	12"	305
	S	A	12"	610	9"	229
	S	A	9"	762	6"	152

NOTE: ON ORDER SPECIFY - TYPE, FALNGE WIDTH, WIDTH, RADIUS AND MATERIAL
(A) FOR ALUMINUM (S) FOR STEEL

SADENCO WIRING SYSTEM

The most complete system of steel trunking for surface electrical installation. Complying with Bs4678.

Today it is imperative in electrical installation in school, office, shops, laboratories and housing independently of weather they are new or old.

SADENCO trunking offers the widest range of measurements with or without dividing straps, which permit choosing the most suitable model for any installation

A wide range of accessories and fittings is complemented which permit a better and easy finish to the installation surface trunking can be installed directly on wall or on support bracket or maybe suspended installation.

PRODUCT CHARACTERISTICS:

Material: Galvanizing Steel Sheet to Bs2989
Aluminum Sheet
Stainless Steel Sheet

Finishing Available as:

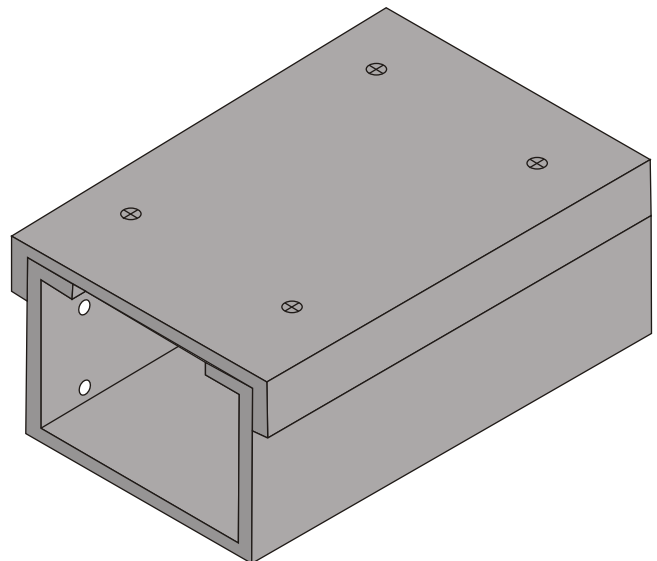
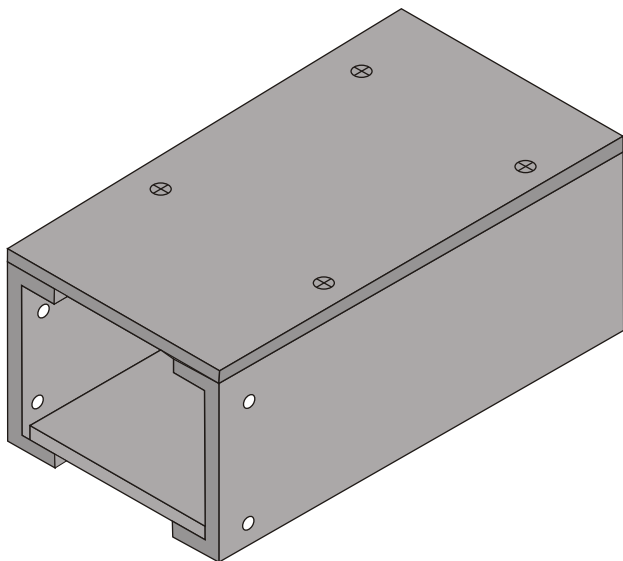
Pre Galvanized Steel
Hot Dip Galvanized after Fabrication
Super Durable Polyester Powder Coating
Epoxy Painting

Type: Cover with screw, single or multi compartment clip in cover single or multi compartment.

SADENCO offers also under floor and flush screed trunking system.

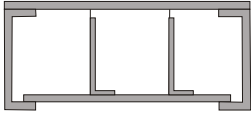
For more information please for a catalogue which is explain all technical issues on this subject.

- * Flanged Cover with Screw
- * Flat cover with Screw

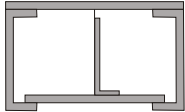


SADENCO WIRING SYSTEM

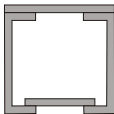
**RETURN FLANGE DUCT
WITH SCREW (Flat Cover)
TYPE : S/RFD**



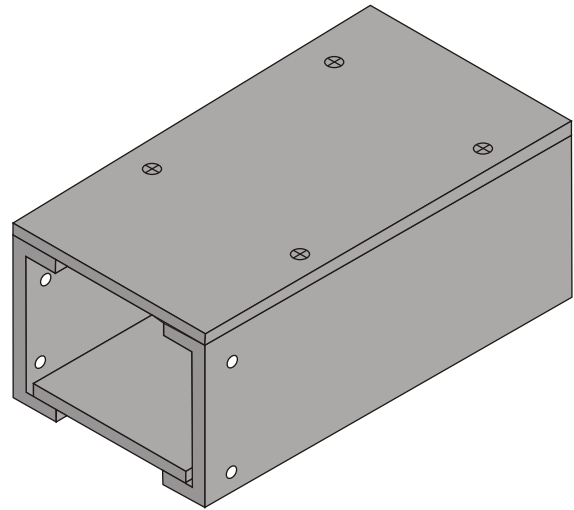
THREE COMPARTMENT



TWO COMPARTMENT



ONE COMPARTMENT

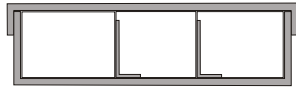


TYPE : S/RFD

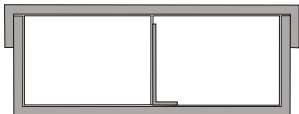
CATALOG NO.		STEEL THICK		SIZE Wxh (mm)
HDGAF	POWDER COATED	COVER	BODY	
S/RFD/G6050	S/RFD/PC6050	2.0 mm	3.0 mm	600x50
S/RFD/G6065	S/RFD/PC6065	2.0 mm	3.0 mm	600x75
S/RFD/G6010	S/RFD/PC6010	2.0 mm	3.0 mm	600x100
S/RFD/G6015	S/RFD/PC6015	2.0 mm	3.0 mm	600x150
S/RFD/G6020	S/RFD/PC6020	2.0 mm	3.0 mm	600x200
S/RFD/G6030	S/RFD/PC6030	2.0 mm	3.0 mm	600x300
S/RFD/G6040	S/RFD/PC6040	2.0 mm	3.0 mm	600x400
S/RFD/G7510	S/RFD/PC7510	2.0 mm	3.0 mm	750x50
S/RFD/G7515	S/RFD/PC7515	2.0 mm	3.0 mm	700x150
S/RFD/G7020	S/RFD/PC7020	2.0 mm	3.0 mm	700x200
S/RFD/G7530	S/RFD/PC7530	2.0 mm	3.0 mm	700x300
S/RFD/G7540	S/RFD/PC7540	2.0 mm	3.0 mm	700x400
S/RFD/G7540	S/RFD/PC7540	2.0 mm	3.0 mm	900x100
S/RFD/G9015	S/RFD/PC9015	2.0 mm	3.0 mm	900x150
S/RFD/G9020	S/RFD/PC9020	2.0 mm	3.0 mm	900x200
S/RFD/G9030	S/RFD/PC9030	2.0 mm	3.0 mm	900x300
S/RFD/G9040	S/RFD/PC9040	2.0 mm	3.0 mm	900x400
S/RFD/G1010	S/RFD/PC1010	2.0 mm	3.0 mm	1000x100
S/RFD/G1015	S/RFD/PC1015	2.0 mm	3.0 mm	1000x150
S/RFD/G1020	S/RFD/PC1020	2.0 mm	3.0 mm	1000x200
S/RFD/G1030	S/RFD/PC1030	2.0 mm	3.0 mm	1000x300
S/RFD/G1020	S/RFD/PC1020	2.0 mm	3.0 mm	1000x200

SADENCO WIRING SYSTEM

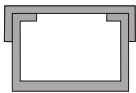
RETURN FLANGE DUCT WITH SCREW (Flanged Cover) TYPE: SS/RFD



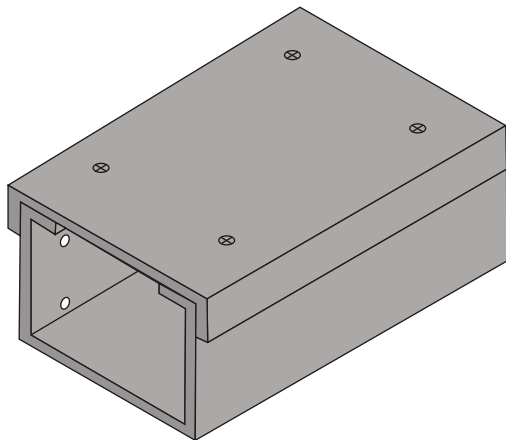
THREE COMPARTMENT



TWO COMPARTMENT



ONE COMPARTMENT

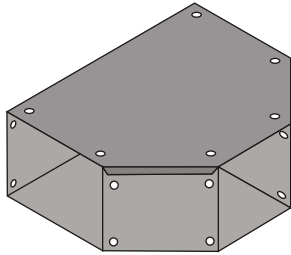


TYPE: SS/RFD

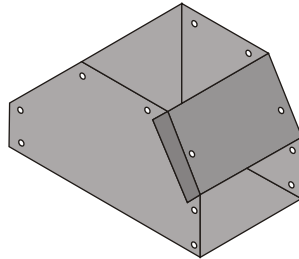
CATALOG NO.		STEEL THICK		SIZE Wxh (mm)
HDGAF	POWDER COATED	COVER	BODY	
SS/RFD/G50	SS/RFD/PC50	1.0 mm	1.0 mm	50x50
SS/RFD/G75	SS/RFD/PC75	1.2 mm	1.2 mm	75x50
SS/RFD/G6105	SS/RFD/PC6105	1.2 mm	1.2 mm	100x50
SS/RFD/G6107	SS/RFD/PC6107	1.2 mm	1.2 mm	100x75
SS/RFD/G1010	SS/RFD/PC1010	1.2 mm	1.2 mm	100x100
SS/RFD/G6155	SS/RFD/PC6155	1.2 mm	1.2 mm	150x50
SS/RFD/G1550	SS/RFD/PC1550	1.2 mm	1.2 mm	150x50
SS/RFD/G1575	SS/RFD/PC1575	1.2 mm	1.2 mm	150x75
SS/RFD/G1510	SS/RFD/PC1510	1.2 mm	1.5 mm	150x100
SS/RFD/G1515	SS/RFD/PC1515	1.2 mm	1.5 mm	150x150
SS/RFD/G2050	SS/RFD/PC2050	1.2 mm	1.5 mm	200x50
SS/RFD/G2075	SS/RFD/PC2075	1.2 mm	1.5 mm	200x75
SS/RFD/G2010	SS/RFD/PC2010	1.2 mm	1.5 mm	200x100
SS/RFD/G2015	SS/RFD/PC2015	1.2 mm	1.5 mm	200x150
SS/RFD/G2020	SS/RFD/PC2020	1.2 mm	1.5 mm	200x200
SS/RFD/G255	SS/RFD/PC255	1.5 mm	1.5 mm	250x50
SS/RFD/G2575	SS/RFD/PC2575	1.5 mm	1.5 mm	250x75
SS/RFD/G2510	SS/RFD/PC2510	1.5 mm	1.5 mm	250x100
SS/RFD/G2515	SS/RFD/PC2515	1.5 mm	1.5 mm	250x150
SS/RFD/G2520	SS/RFD/PC2520	1.5 mm	1.5 mm	250x200
SS/RFD/G3050	SS/RFD/PC3050	1.5 mm	1.5 mm	300x50
SS/RFD/G3075	SS/RFD/PC3075	1.5 mm	1.5 mm	300x75
SS/RFD/G3010	SS/RFD/PC3010	1.5 mm	1.5 mm	300x100
SS/RFD/G3015	SS/RFD/PC3015	1.5 mm	1.5 mm	300x150
SS/RFD/G3020	SS/RFD/PC3020	1.5 mm	1.5 mm	300x200
SS/RFD/G4050	SS/RFD/PC4050	1.5 mm	2.0 mm	400x50
SS/RFD/G4075	SS/RFD/PC4075	1.5 mm	2.0 mm	400x75
SS/RFD/G4010	SS/RFD/PC4010	1.5 mm	2.0 mm	400x100
SS/RFD/G4015	SS/RFD/PC4015	1.5 mm	2.0 mm	400x150
SS/RFD/G4020	SS/RFD/PC4020	1.5 mm	2.0 mm	400x200
SS/RFD/G4550	SS/RFD/PC4550	1.5 mm	2.0 mm	450x50
SS/RFD/G4575	SS/RFD/PC4575	1.5 mm	2.0 mm	450x75
SS/RFD/G4510	SS/RFD/PC4510	1.5 mm	2.0 mm	450x100
SS/RFD/G4515	SS/RFD/PC4515	1.5 mm	2.0 mm	450x150
SS/RFD/G4520	SS/RFD/PC4520	1.5 mm	2.0 mm	450x200
SS/RFD/G5050	SS/RFD/PC5050	1.5 mm	2.0 mm	500x50
SS/RFD/G5075	SS/RFD/PC5075	1.5 mm	2.0 mm	500x75
SS/RFD/G5010	SS/RFD/PC5010	1.5 mm	2.0 mm	500x100
SS/RFD/G5015	SS/RFD/PC5015	1.5 mm	2.0 mm	500x150
SS/RFD/G5020	SS/RFD/PC5020	1.5 mm	2.0 mm	500x200

SADENCO WIRING SYSTEM ACCESSORIES

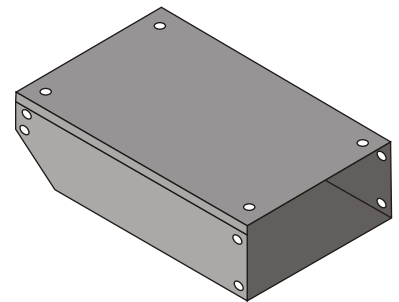
HORIZONTAL TEE
TYPE: SHT



TOP COVER
ITEM NO: SHT/O1

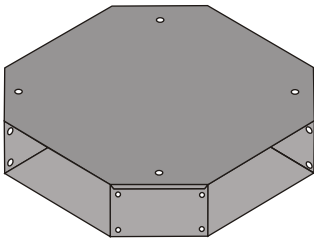


FRONT COVER
ITEM NO: SHT/O2



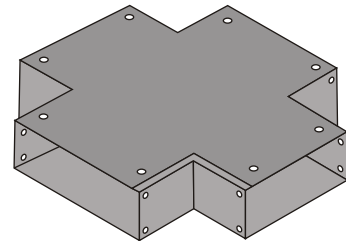
REAR COVER
ITEM NO: SHT/O3

CROSS PIECE
TYPE: SCP



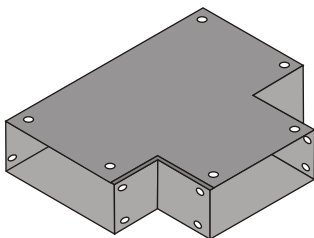
TOP COVER
ITEM NO: SCP/O1

CROSS PIECE
TYPE: CP

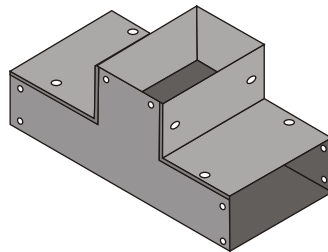


TOP COVER
ITEM NO: CP/O2

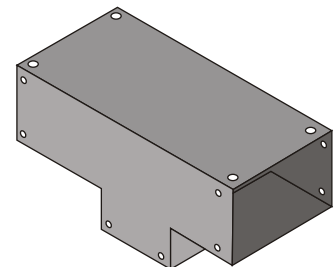
HORIZONTAL TEE
TYPE: HT



TOP COVER
ITEM NO: HT/O1

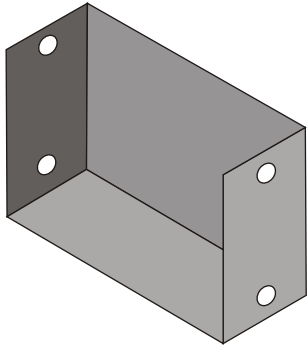


TOP COVER
ITEM NO: HT/O2

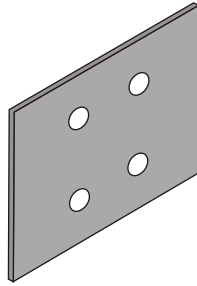


TOP COVER
ITEM NO: HT/O3

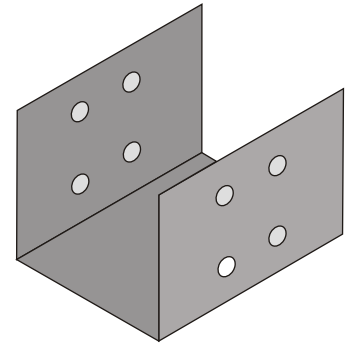
SADENCO WIRING SYSTEM ACCESSORIES



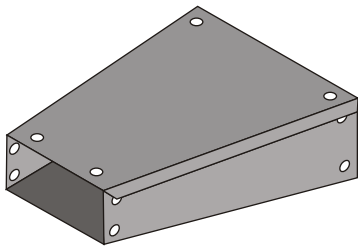
STOP END
ITEM NO: SSE



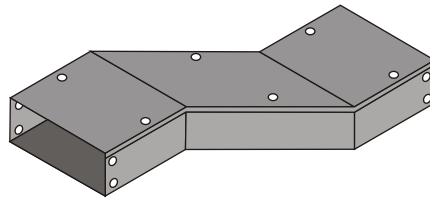
FLAT CONNECTOR
ITEM NO: SFC



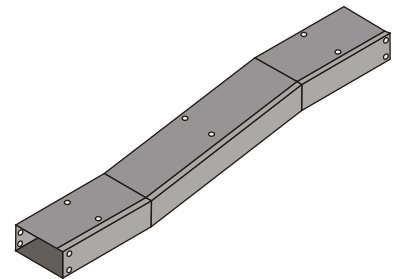
STANDARD CONNECTOR
ITEM NO: SSC



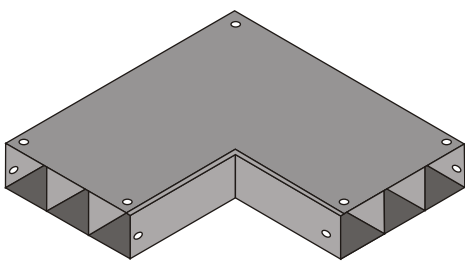
REDUCER
ITEM NO: SR



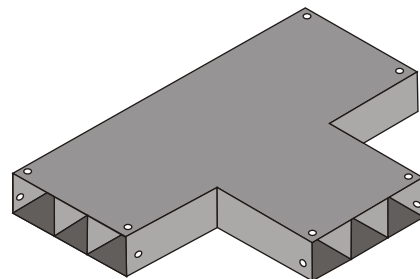
HORIZONTAL OFFSET
ITEM NO: SHO



VERTICAL OFFSET
ITEM NO: SVO



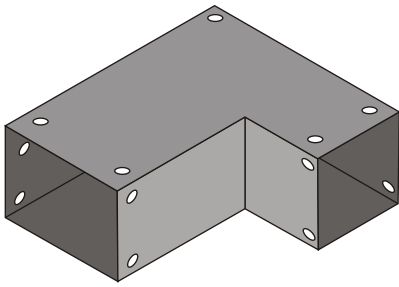
MULTI COMPARTMENT TEE PIECE
ITEM NO: SMCTP



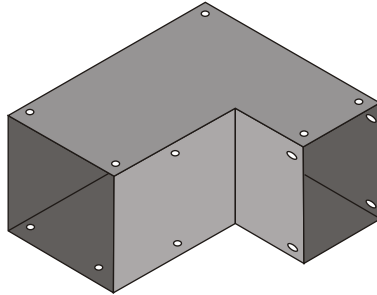
MULTI COMPARTMENT 90° BEND
ITEM NO: SMC90B

SADENCO WIRING SYSTEM ACCESSORIES

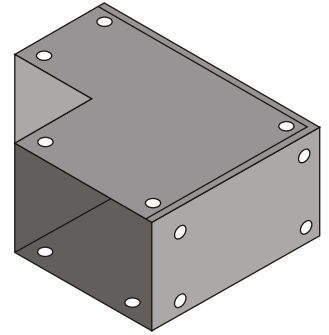
90° ELBOW
TYPE: SE/90



TOP COVER
ITEM NO: SE/90/01

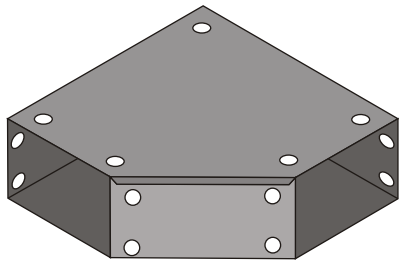


FRONT COVER
ITEM NO: SE/90/02

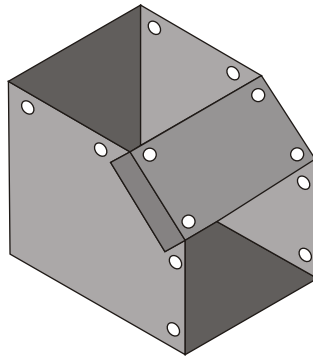


REAR COVER
ITEM NO: SE/90/03

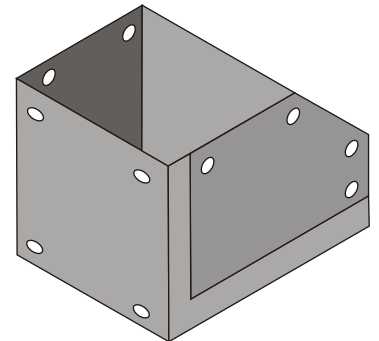
90° ELBOW
TYPE: SAE/90



TOP COVER
ITEM NO: SAE/90/01

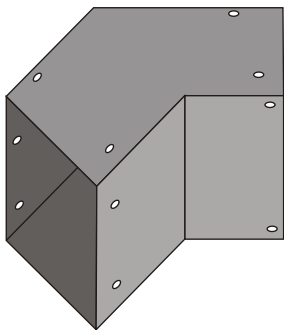


FRONT COVER
ITEM NO: SAE/90/02

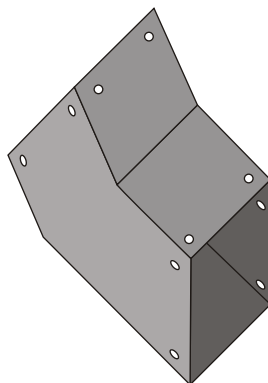


REAR COVER
ITEM NO: SAE/90/07

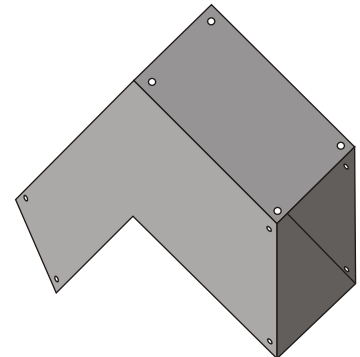
45° ELBOW
TYPE: SE/45



TOP COVER
ITEM NO: SE/45/01



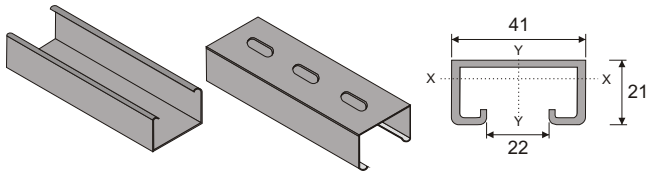
FRONT COVER
ITEM NO: SE/45/02



REAR COVER
ITEM NO: SE/45/03

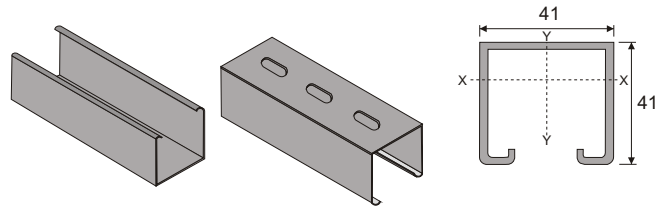
SADENCO U-CHANNEL SUPPORT SYSTEM

TYPE: S/UC/110



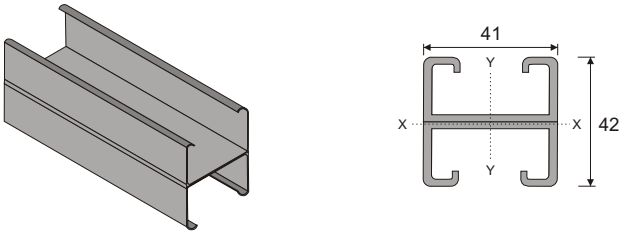
SIZE : 41 X 21 X 2.5

TYPE: S/UC/210



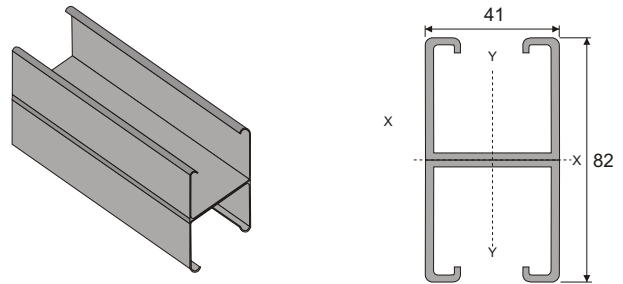
SIZE : 41 X 41 X 2.5

TYPE: S/UC/310



SIZE : 41 X 42 X 2.5

TYPE: S/UC/410



SIZE : 41 X 82 X 2.5

SECTION PROPERTIES & LOADING DATA

CHANNEL TYPE	X-X AXIS	Y-Y AXIS	MAX.COLUMN LOAD (Kgf)	UDL DEFLECTION OF 1/360SPAN (Kgf)	DEFLECTION AT MAX. STRESS	TOTAL UDL AT MAX.STRESS	SUPPORTED SPAN	
S/UC/110	I (mm 4)	12660	55950	3158	194	1.4	241	500
	Z (mm)3	990	2710	1014	103	5.5	119	1000
	M (kgfm)	15.4	41	-	24	21.5	60	2000
				-	9	48.8	37	3000
S/UC/210	I (mm 4)	75340	9550	4470	-	0.8	782	500
	Z (mm)3	3250	4610	2963	330	3.2	388	1000
	M (kgfm)	49.2	70.5	1138	73	12.9	192	2000
				785	26	29.0	120	3000
S/UC/310	I (mm 4)	59200	112100	6086	-	0.8	686	500
	Z (mm)3	2880	5470	3882	282	2.8	340	1000
	M (kgfm)	43.4	82.1	1173	69	11.3	168	1500
				448	25	28.4	106	2000
S/UC/410	I (mm 4)	385600	194200	10584	-	0.5	2234	500
	Z (mm)3	9400	9450	8291	954	2.0	1108	1000
	M (kgfm)	141	140	4410	226	7.5	548	2000
				2058	83	18.6	343	3000

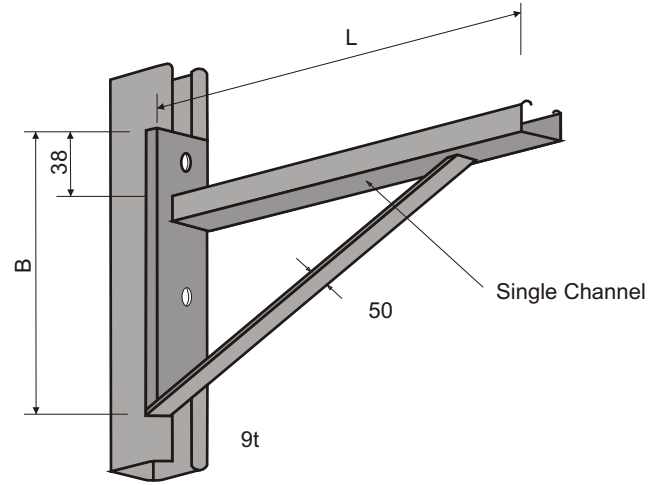
SADENCO U-CANNEL SUPPORT SYSTEM

CHANNEL BRACKETS

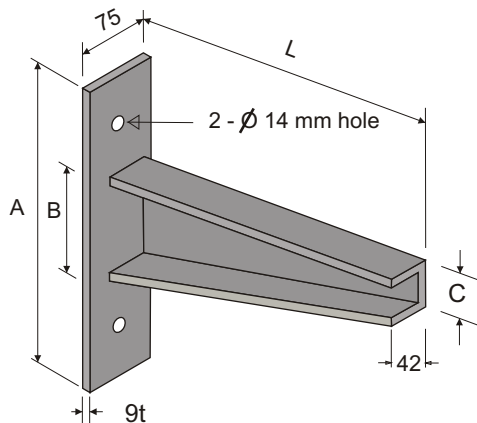
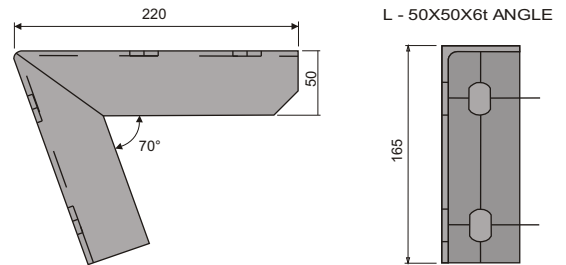
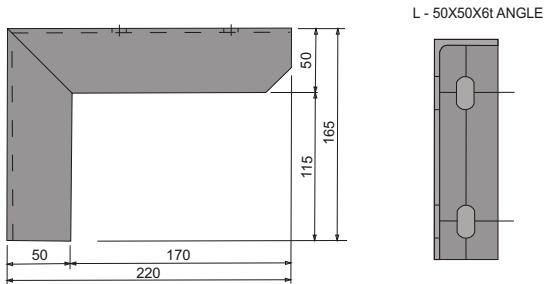
Standard Materials : Roller Steel for general Structure (JIS G3 101, SS400) or Stainless
 Standard Finishes : Hot Dip Galvanized

REINFORCING BRACKETS

CATALOG NO.	LENGTH	B
RCB/170	0150	220
RCB/220	0200	220
RCB/320	0300	220
RCB/470	0450	220
RCB/620	0600	220
RCB/770	0750	280
RCB/920	0900	280

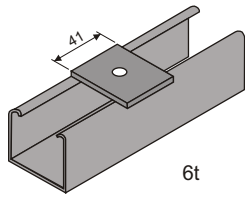


ANGLE BRACKET



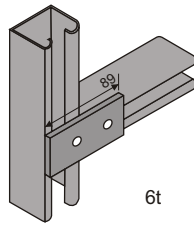
CATALOG NO.	L	A	B	C	End Loading Rating (Kg)
HDB/3200	320	254	150	50	900
HDB/4600	460	280	180	65	900
HDB/6150	615	280	180	65	720
HDB/7700	770	300	200	100	580
HDB/9200	920	300	200	100	500
HDB/1070	107	300	200	100	400

SADENCO U-CHANNEL SUPPORT SYSTEM



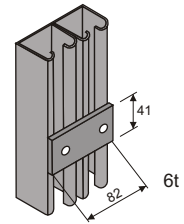
CATALOG NO. SCA 4101

1 - HOLE SPLICE PLATE



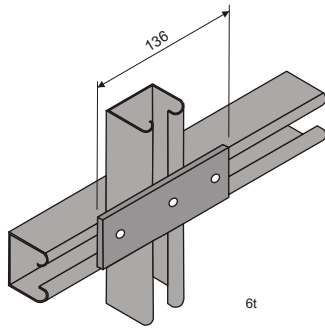
CATALOG NO. SCA 4102

2 - HOLE SPLICE PLATE



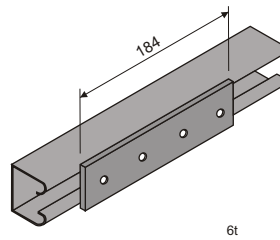
CATALOG NO. SCA 4103

2 - HOLE SPLICE PLATE



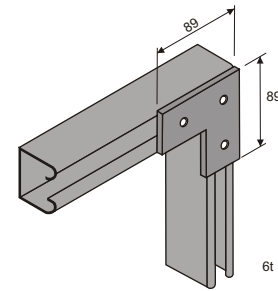
CATALOG NO. SCA 4104

3 - HOLE SPLICE PLATE



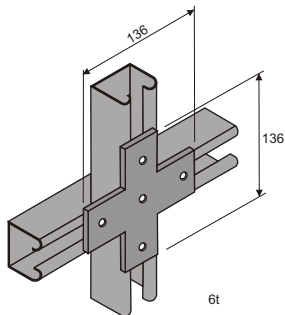
CATALOG NO. SCA 4105

4 HOLE SPLICE PLATE



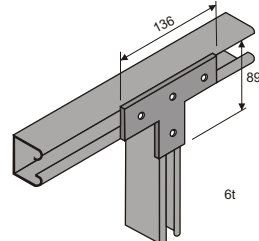
CATALOG NO. SCA 4106

3 - HOLE ANGLE PLATE



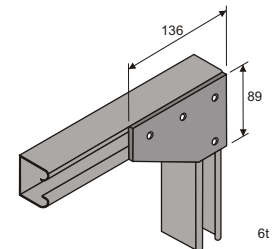
CATALOG NO. SCA 4107

5 - HOLE CROSS PLATE



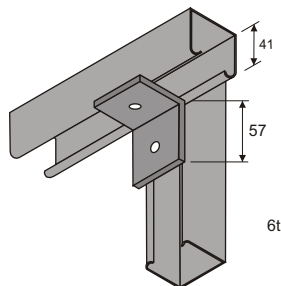
CATALOG NO. SCA 4108

4 - HOLE TEE PLATE



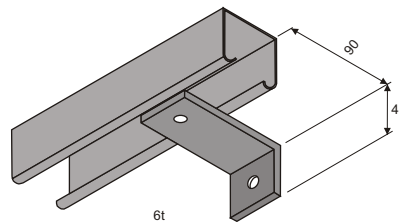
CATALOG NO. SCA 4109

4 - HOLE CORNER PLATE



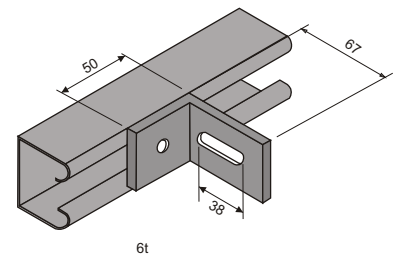
CATALOG NO. SCA 4110

2 - HOLE ANGLE FITTING



CATALOG NO. SCA 4111

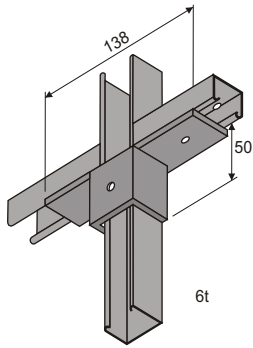
2 - HOLE ANGLE FITTING



CATALOG NO. SCA 4112

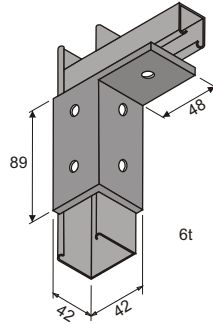
2 - HOLE ANGLE FITTING

SADENCO U-CHANNEL SUPPORT SYSTEM



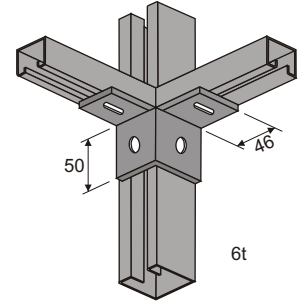
CATALOG NO. SCA 4125

5 - HOLE DOUBLE WING FITTING



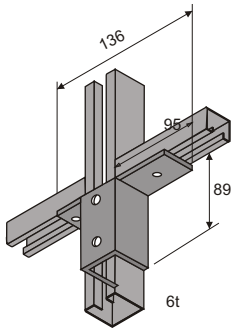
CATALOG NO. SCA 4126

5 - HOLE SINGLE WING FITTING



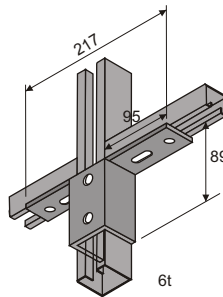
CATALOG NO. SCA 4127

4-HOLE DOUBLE WING FITTING



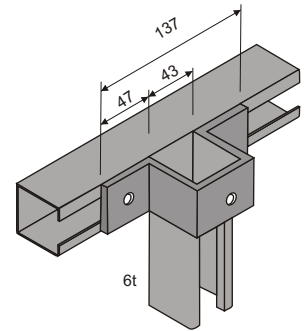
CATALOG NO. SCA 4128

4 - HOLE DOUBLE WING FITTING



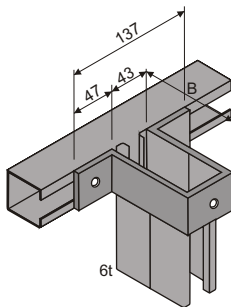
CATALOG NO. SCA 4129

6 - HOLE DOUBLE WING FITTING



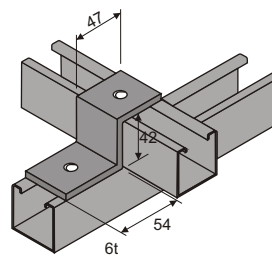
CATALOG NO. SCA 4130

"U" CHANNEL SUPPORT



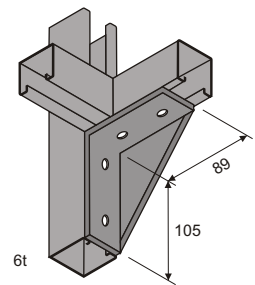
CATALOG NO. SCA 4131

"U" SUPPORT (SINGLE)



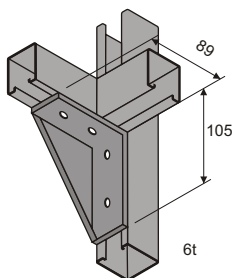
CATALOG NO. SCA 4132

2- HOLE ZEE SUPPORT



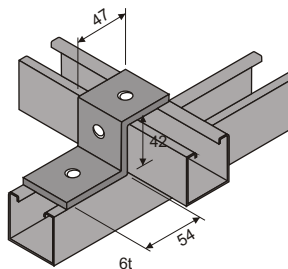
CATALOG NO. SCA 4133

4- HOLE SHELF BRACKET



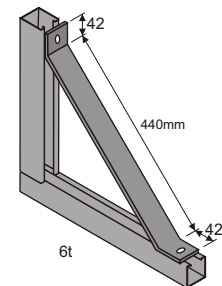
CATALOG NO. SCA 4134

4 - HOLE SHELF BRACKET



2 - HOLE ZEE SUPPORT

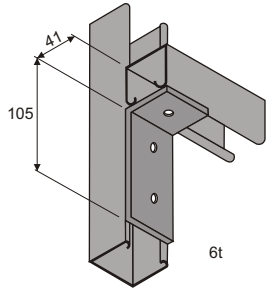
CATALOG NO. SCA 4135



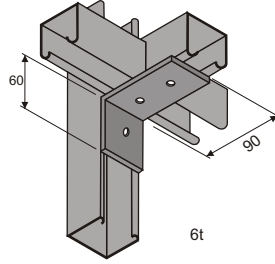
CATALOG NO. SCA 4136

BAR BRACKET

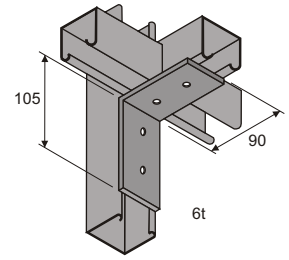
SADENCO U-CANNEL SUPPORT SYSTEM



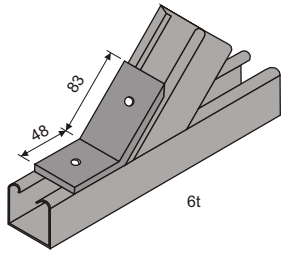
CATALOG NO. SCA 4113
3 - HOLE ANGLE FITTING



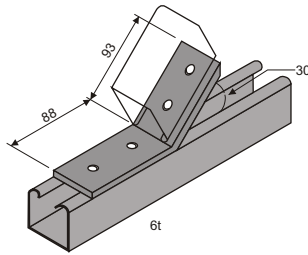
CATALOG NO. SCA 4114
3 - HOLE ANGLE FITTING



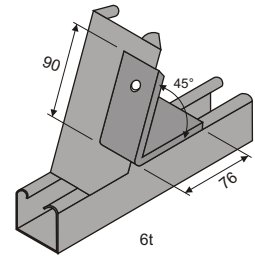
CATALOG NO. SCA 4115
4 - HOLE ANGLE FITTING



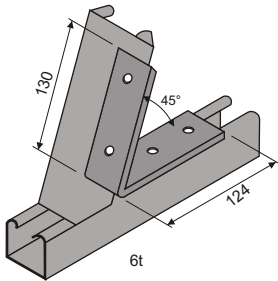
CATALOG NO. SCA 4116
2 - HOLE ANGLE FITTING



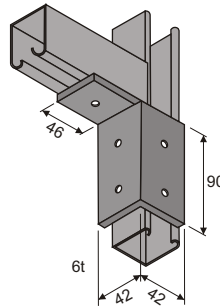
CATALOG NO. SCA 4117
4 - HOLE ANGLE FITTING



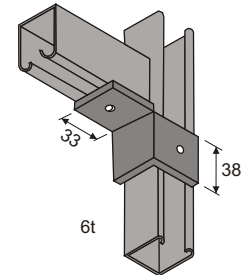
CATALOG NO. SCA 4118
2 - HOLE ANGLE FITTING



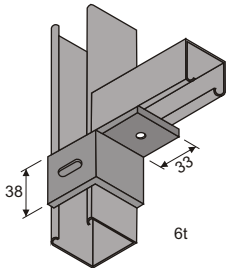
CATALOG NO. SCA 4119
4 - HOLE ANGLE FITTING



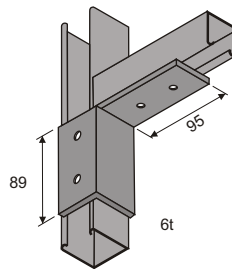
CATALOG NO. SCA 4120
5 - HOLE SINGLE WING FITTING



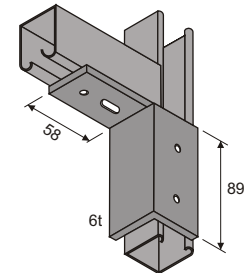
CATALOG NO. SCA 4121
2 - HOLE SINGLE WING FITTING



CATALOG NO. SCA 4122
2 - HOLE SINGLE WING FITTING

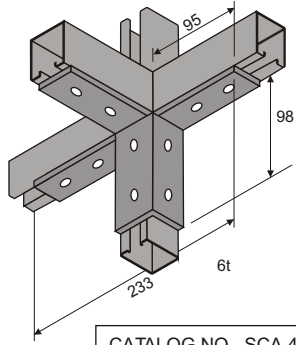


CATALOG NO. SCA 4123
2 - HOLE SINGLE WING FITTING



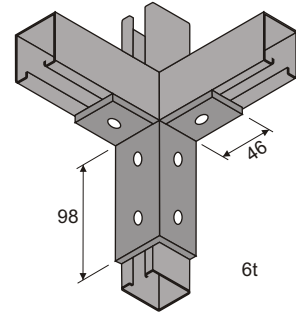
CATALOG NO. SCA 4124
4 - HOLE SINGLE WING FITTING

SADENCO U-CANNEL SUPPORT SYSTEM



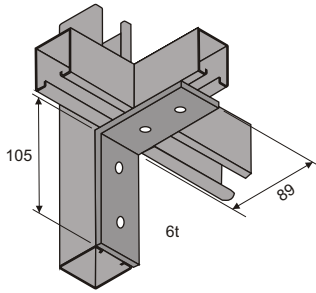
CATALOG NO. SCA 4137

12 - HOLE DOUBLE WING FITTING



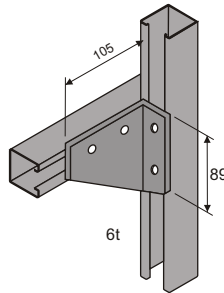
CATALOG NO. SCA 4138

4 - HOLE DOUBLE WING FITTING



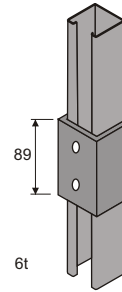
CATALOG NO. SCA 4139

4-HOLE ANGLE FITTING



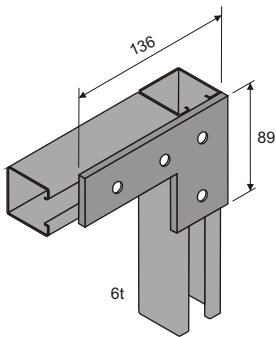
CATALOG NO. SCA 4140

4-HOLE ANGLE FITTING



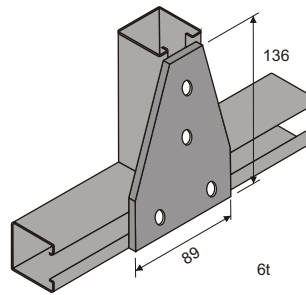
CATALOG NO. SCA 4141

2 - HOLE SPLICE PLATE



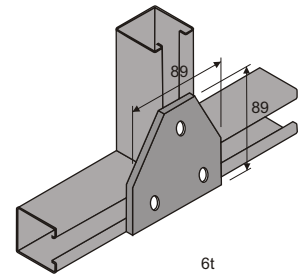
CATALOG NO. SCA 4142

4- HOLE ANGLE FITTING



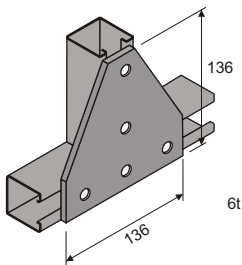
CATALOG NO. SCA 4143

4- HOLE TEE PLATE



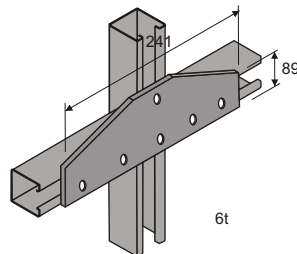
CATALOG NO. SCA 4144

3- HOLE TEE PLATE



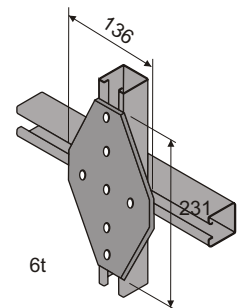
CATALOG NO. SCA 4145

5 HOLE TEE PLATE



CATALOG NO. SCA 4146

6- HOLE CROSS PLATE



CATALOG NO. SCA 4147

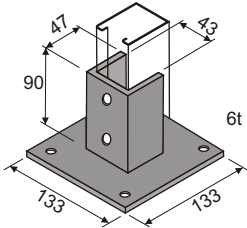
7- HOLE CROSS PLATE

SADENCO U-CANNEL SUPPORT SYSTEM

SUPPORT CHANNEL

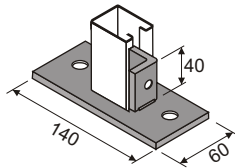
Material : Rolled Steel for General Structure
(JIS G3101, Ss400) Stainless Steel. Aluminium
Finish: Hot Galvanized for Steel
Hole Size: 14mm
Thickness: 6mm or 9mm

POST BASE (SINGLE CHANNEL)



Weight 1.42 kg

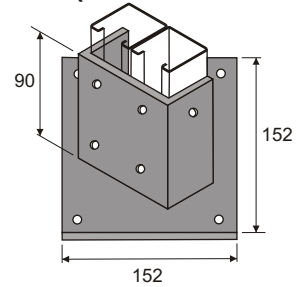
CATALOG #: PB/SC/1313



Weight : 0.71 kg

CATALOG #: PB/SC/0614

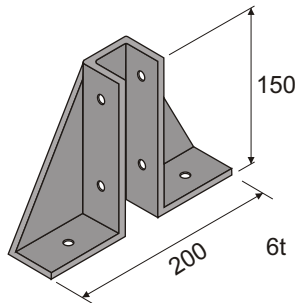
POST BASE (DOUBLE CHANNEL)



Weight : 1.89 kg

CATALOG #: PB/DC/1515

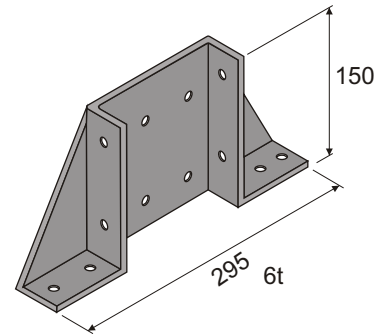
GUSSETED BRACKET (SINGLE CHANNEL)



Weight 2.45 kg

CATALOG #: GB/SC/1520

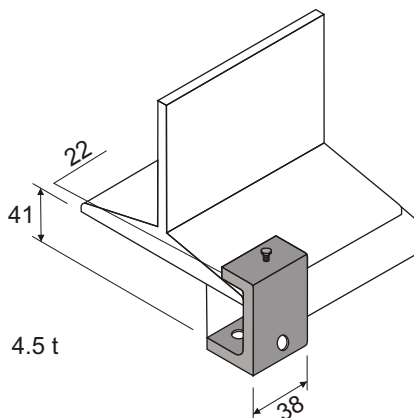
GUSSETED BRACKET (DOUBLE CHANNEL)



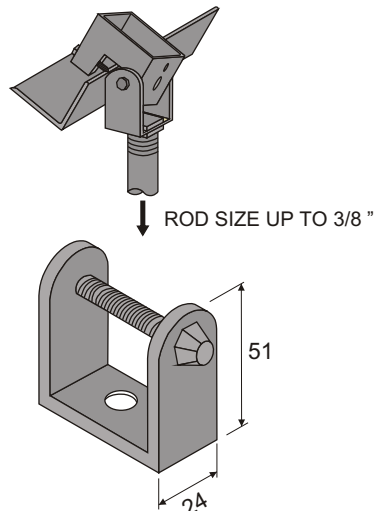
Weight 3.23 kg

CATALOG #: GB/DC/1530

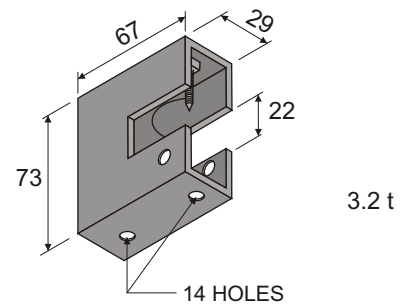
BEAM CLAMP :



CATALOG #: SBC/001

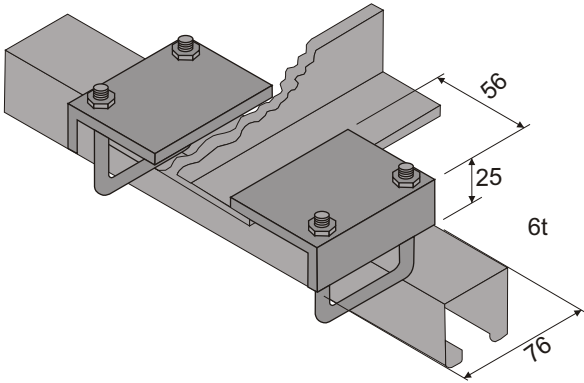


CATALOG #: SBC/002

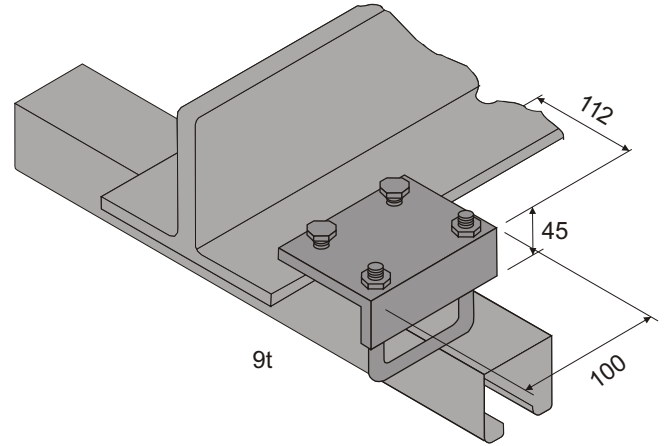


CATALOG #: SBC/003

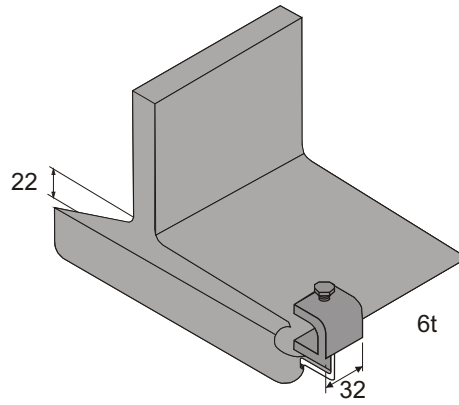
SADENCO U-CANNEL SUPPORT SYSTEM



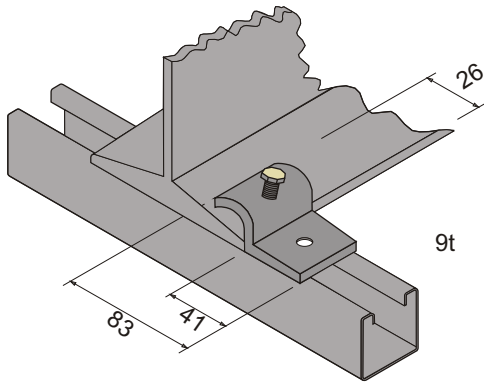
Catalog #: SBC/OO4



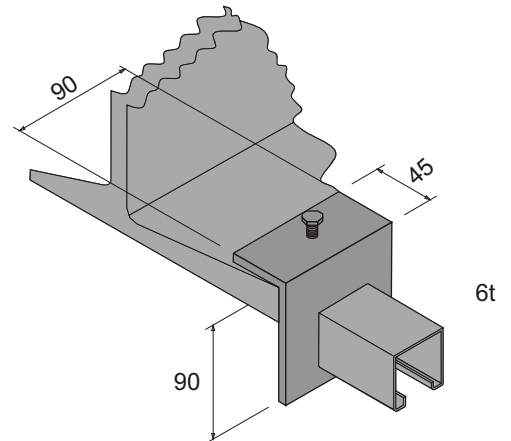
Catalog #: SBC/OO5



Catalog #: SBC/OO6



Catalog #: SBC/OO7



Catalog #: SBC/OO8

SADENCO U-CANNEL SUPPORT SYSTEM

CONCRETE INSERT

LOAD DATA:

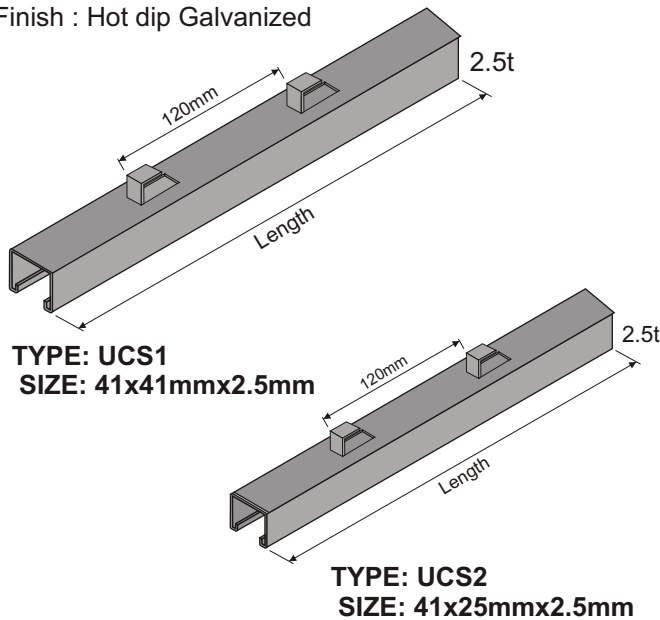
Recommended loading on inserts in overage good concrete.

CON 040 through CON 090 - 2985 kg.inch each meter of length.

Minimum safety factor 3.0 concentrated load on the end 50mm of inserts 200 mm or longer should not be more than 450 kg. Sufficient concrete must surround inserts to conform to design shear stress.

Concrete inserts are manufactured from the single channel sections but are provided anchoring wings space along their back side. They may be installed in walls, ceiling floor for the support of piping ,conduit and other industrial equipment. Inserts are available in plain, polyester or hot dip galvanized finish.

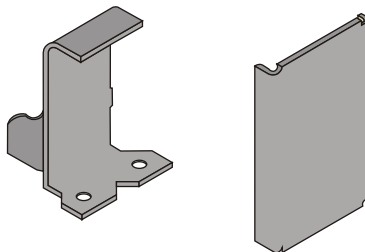
Materials : Steel
Finish : Hot dip Galvanized



CATALOG NO.	CATALOG NO.	LENGTH
UCS1/40	UCS2/40	400
UCS1/50	UCS2/50	500
UCS1/60	UCS2/60	600
UCS1/70	UCS2/70	700
UCS1/80	UCS2/80	800
UCS1/90	UCS2/90	900
UCS1/100	UCS2/100	1000
UCS1/120	UCS2/120	1200
UCS1/140	UCS2/140	1400
UCS1/150	UCS2/150	1500
UCS1/160	UCS2/160	1600
UCS1/180	UCS2/180	1800
UCS1/200	UCS2/200	2000
UCS1/220	UCS2/220	2200
UCS1/240	UCS2/240	2400
UCS1/260	UCS2/260	2600
UCS1/280	UCS2/280	2800
UCS1/300	UCS2/300	3000

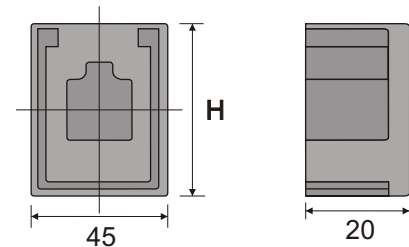
CHANNEL END CAP

Materials : 2.0mm pre Galvanized steel
or Electro galvanized steel



CATALOG #: CEC/100

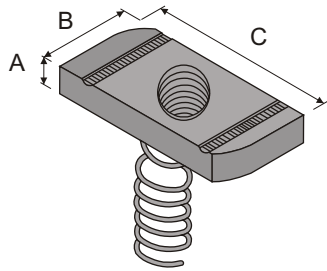
Materials : P.V.C.
UCS



SADENCO U-CANNEL SUPPORT SYSTEM

(ACCESSORIES)

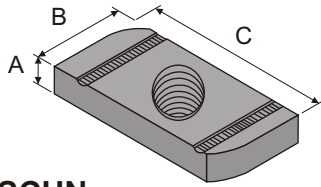
CHANNEL SPRING NUT



SCSN

CATALOG NO.	THREAD (METRIC)	THREAD (INCH)	A	B	C
SCSN/006	M6 X 1.0P	1/4 - 20 UNC	6	20	35
SCSN/008	M8 X 1.25P	5/16 - 18 UNC	6	20	35
SCSN/010	M10 X 1.5P	3/8 - 16 UNC	9	20	35
SCSN/012	M12 X 1.75P	1/2 - 13 UNC	9	20	35
SCSN/014	M14 X 1.75P	1/2 - 13 UNC	12	20	35
SCSN/016	M16 X 2.0P	5/8 - 11 UNC	12	25	35

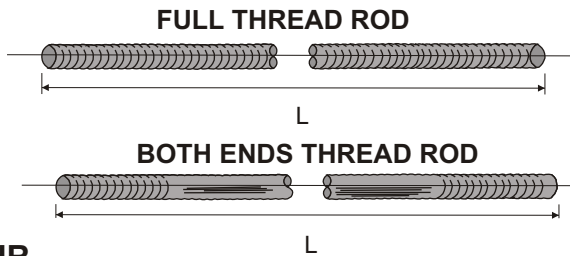
CHANNEL NUT



SCHN

CATALOG NO.	THREAD (METRIC)	THREAD (INCH)	A	B	C
SCHN/006	M6 X 1.0P	1/4 - 20 UNC	6	20	35
SCHN/010	M10 X 1.5P	3/8 - 16 UNC	9	20	35
SCHN/012	M12 X 1.7P	1/2 - 13 UNC	9	20	35

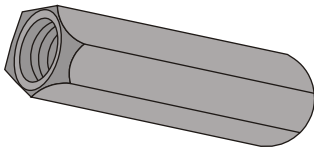
THREAD ROD



STHR

CATALOG NO.	THREAD (METRIC)	THREAD (INCH)
STHR/006	M6 X 1.0P	1/4 - 20 UNC
STHR/008	M8 X 1.25P	5/16 - 18 UNC
STHR/010	M10X 1.5P	3/8 - 16 UNC
STHR/012	M12 X 1.75P	1/2 - 13 UNC
STHR/016	M16 X 2.0P	5/8 - 11 UNC
STHR/018	M18 X 2.5P	3/4 - 10 UNC

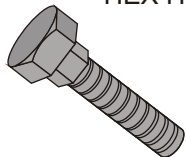
ROD COUPLING



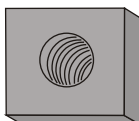
SRCN

CATALOG NO.	THREAD (METRIC)	THREAD (INCH)
SRCN/006	M6 X 1.0P	1/4 - 20 UNC
SRCN/008	M8 X 1.25P	5/16 - 18 UNC
SRCN/010	M10X 1.5P	3/8 - 16 UNC
SRCN/012	M12 X 1.75P	1/2 - 13 UNC
SRCN/016	M16 X 2.0P	5/8 - 11 UNC
SRCN/018	M18 X 2.5P	3/4 - 10 UNC

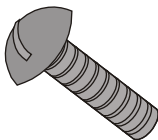
HEX HEAD BOLT



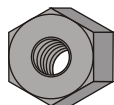
SQUARE NUT



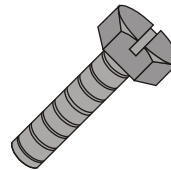
ROUND HEAD MACHINE SCREW



HEXAGON NUTS



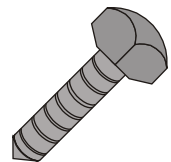
SLOTTED HEX MACHINE SCREW



FLAT WASHERS



CONE POINT SET SCREWS



LOCK WASHERS

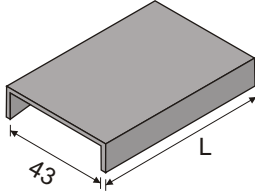


SADENCO U-CHANNEL SUPPORT SYSTEM

CHANNEL COVER AND U-BOLT, NUT

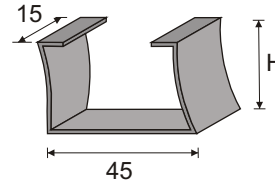
CHANNEL CLOSURE STRIPS

Materials : Pre - Galvanized Steel
Stainless Steel

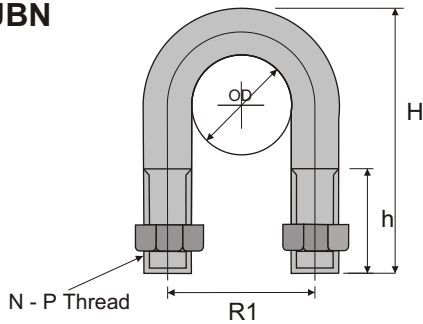


CATALOG #: CCS100

CLOSURE STRIPS CLAMP



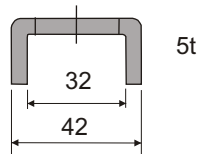
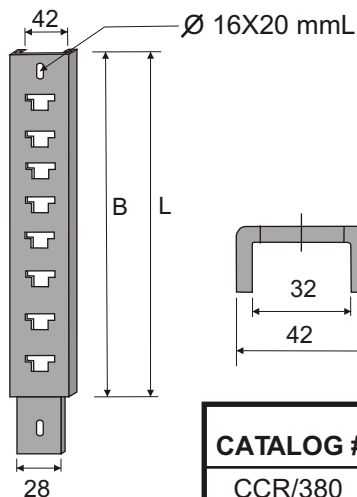
U-BOLT, NUT UBN



Materials : Steel (electro galvanized)
Stainless Steel

CATALOG NO.	NORMAL SIZE	R1	H	h	OD	N-P Thread
UBN/16	16	28	48	48	221	1/4" -20
UBN/22	22	35	56	56	26	
UBN/28	28	41	63	63	33	
UBN/36	36	52	71	71	42	5/16" -20
UBN/42	42	57	74	74	48	
UBN/54	54	71	88	88	60	3/8" -20
UBN/70	70	86	110	110	75	
UBN/82	82	100	123	123	88	
UBN/104	104	129	151	151	113	1/2" -13

CABLE RACK CCR

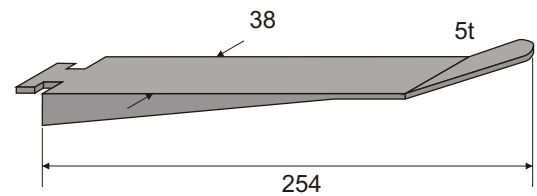


CATALOG #	L	B	HOOK HOLE
CCR/380	380	343	8
CCR/610	610	571	14
CCR/760	380	723	18

CULVERT CABLE RACK AND HOOK

Materials : Rolled Steel for General Structure (JIS G3101,ss400)
Finish : Hot Dip Galvanized

CABLE HOOK



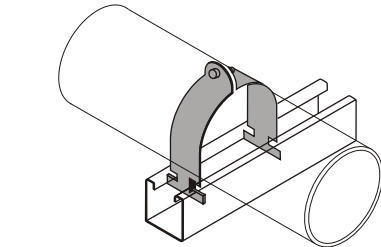
CATALOG #: CCH100

SADENCO U-CANNEL SUPPORT SYSTEM

CONDUIT PIPE CLAMPS

Materials : Carbon Steel (H.D.G Or E.G.)
Stainless Steel (STS304, 316)
Aluminium

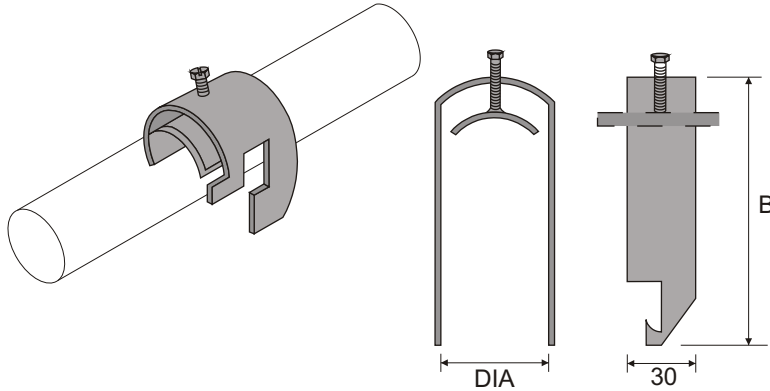
PIPE CLAMP FOR CONDUIT



PCC

CATALOG NO.	PIPE SIZE	LOADING TEST (Kg)	REMARK
PCC/160	16 1/2"	200	150 kg. cm.
PCC/160	22 3/4"	178	150 kg. cm.
PCC/160	28 1"	155	150 kg. cm.
PCC/160	36 1 1/4"	175	150 kg. cm.
PCC/160	42 1 1/2"	215	200 kg. cm.
PCC/160	54 2"	217	200 kg. cm.
PCC/160	70 2 1/2"	201	200 kg. cm.
PCC/160	82 3"	221	500 kg. cm.
PCC/160	104 4"	220	500 kg. cm.

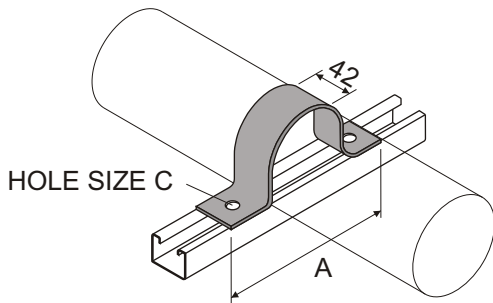
ADJUSTABLE CLAMP FOR CABLE AND PIPE



ACC

CATALOG NO.	DIA. (mm)	B (mm)	MAXIMUM O.D.
ACC/100	16	44	1/2"
ACC/200	22	50	3/4"
ACC/300	28	57	1"
ACC/400	36	65	1 1/4"
ACC/500	42	70	1 1/2"
ACC/600	54	80	2"
ACC/700	70	100	2 1/2"
ACC/800	82	115	3"
ACC/900	104	130	4"

2-HOLE PIPE AND CLAMP



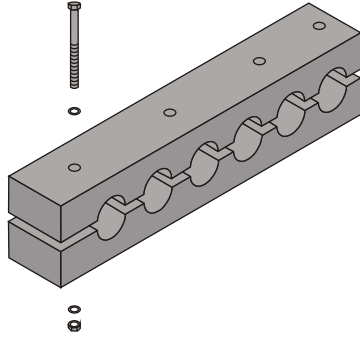
DCC

CATALOG NO.	PIPE SIZE	A (mm)	t (mm)	C (mm)
DCC/160	16 1/2"	73	3.2	7
DCC/220	22 3/4"	78	3.2	7
DCC/280	28 1"	87	3.2	7
DCC/360	36 1 1/4"	95	3.2	7
DCC/420	42 1 1/2"	103	3.2	11
DCC/540	54 2"	143	6.0	11
DCC/700	70 2 1/2"	157	6.0	11
DCC/820	82 3"	171	6.0	11
DCC/1040	104 4"	199	6.0	11
DCC/1250	125 5"	243	6.0	14
DCC/1500	150 6"	264	6.0	14

SADENCO U-CANNEL SUPPORT SYSTEM

CABLE HARD WOOD CLAMPS

Assembly includes one pair of white glaze porcelain clamps.
 One pair of Aluminum pipe clamps and aluminum hardware.
 Steel Clamps with every hardware available on special order.

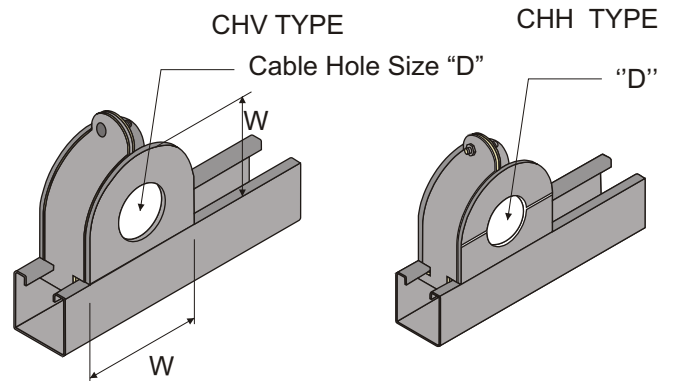


Assembly includes paraffin impregnated square hard clamps with 3/8" studs, washer and hex nuts.

Unit: (mm)

CATALOG NO.	Max. Cable "D"	W	CATALOG NO. O.D.
SHV/160	16	338	CHH/160
SHV/250	25	52	CHH/250
SHV/380	38	67	CHH/380
SHV/450	45	80	CHH/450
SHV/570	57	95	CHH/570
SHV/640	64	108	CHH/640
SHV/760	76	120	CHH/760
SHV/1020	102	146	CHH/1020

ROUND HARD WOOD CLAMP

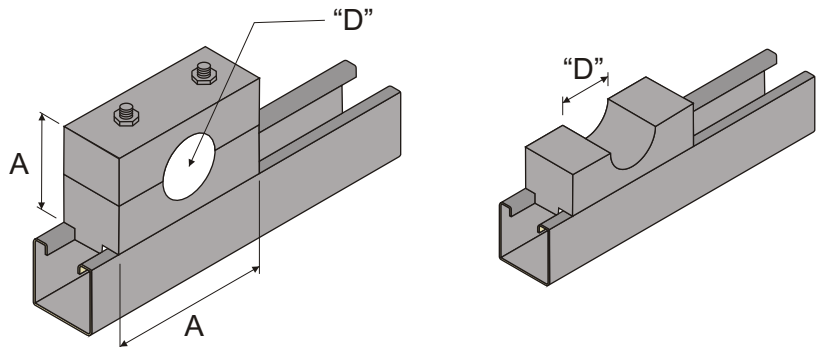


CATALOG #:SHV

SQUARE HARD WOOD CLAMP

Unit: (mm)

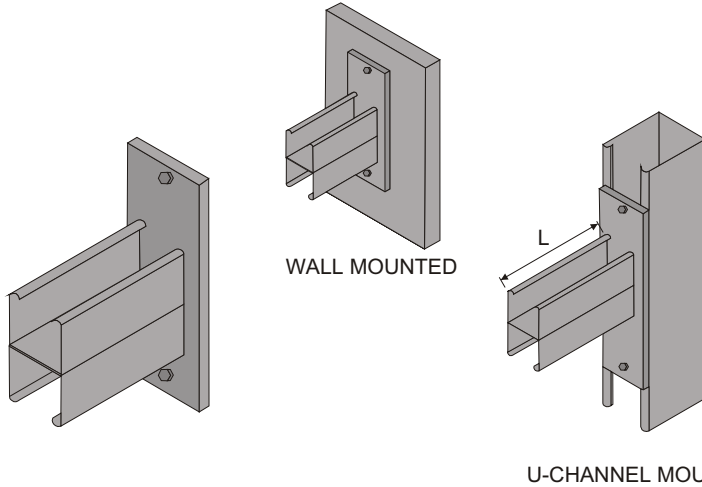
CATALOG NO.	Max. Cable "D"	A
SHW/25	25	90
SHW/38	38	100
SHW/51	51	115
SHW/64	64	140
SHW/76	76	150
SHW/89	89	165
SHW/102	102	180



CATALOG # : SHW

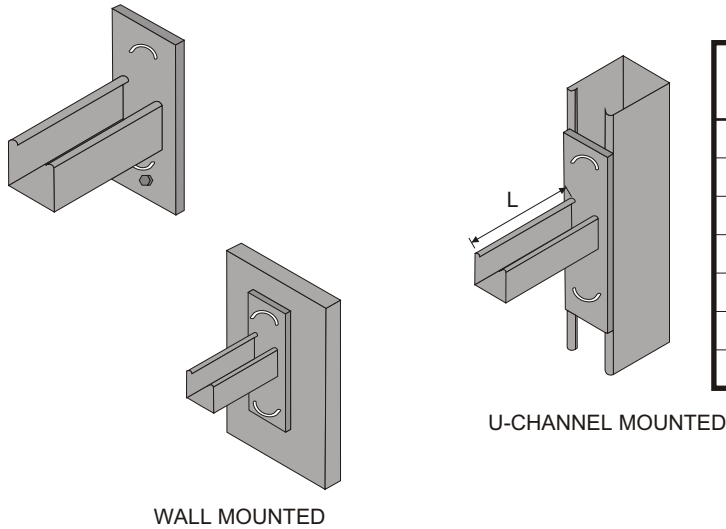
SADENCO U-CHANNEL SUPPORT SYSTEM

CANTILEVER SUPPORT TYPE: S/CA111



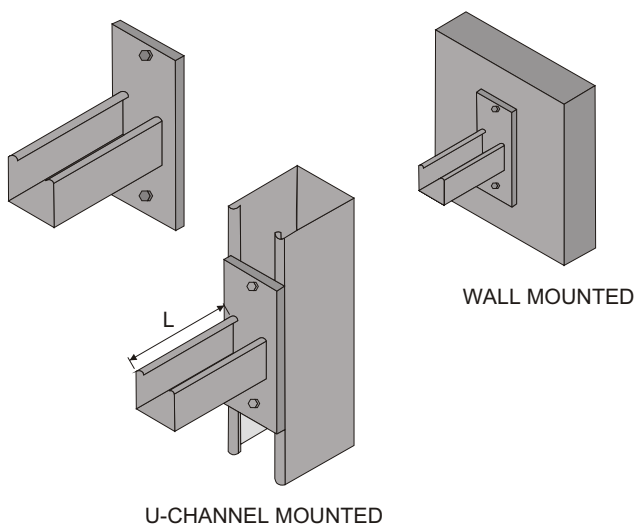
ITEM NO.	WEIGHT kg/pc	LENGTH L (mm)	U LOAD (kgf)
S/CA111/1514	1.50	150	1408
S/CA111/2098	2.10	200	980
S/CA111/3071	3.20	300	710
S/CA111/4546	4.00	450	460
S/CA111/6035	5.10	600	350
S/CA111/7526	5.80	750	262
S/CA111/9021	6.10	900	212

CANTILEVER SUPPORT TYPE: S/CA222



ITEM NO.	WEIGHT kg/pc	LENGTH L (mm)	U LOAD (kgf)
S/CA222/1548	1.15	150	480
S/CA222/2040	1.88	200	406
S/CA222/3024	2.15	300	248
S/CA222/4019	2.41	400	191
S/CA222/4547	2.55	450	172
S/CA222/5016	2.68	500	160
S/CA222/6013	2.94	600	138

CANTILEVER SUPPORT TYPE: S/CA333



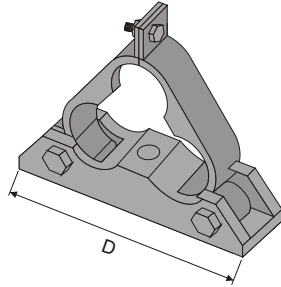
ITEM NO.	WEIGHT kg/pc	LENGTH L (mm)	U LOAD (kgf)
S/CA333/1514	1.50	150	1408
S/CA333/2098	2.10	200	980
S/CA333/3071	3.20	300	710
S/CA333/4546	4.00	450	460
S/CA333/6035	5.10	600	350
S/CA333/7526	5.80	750	262
S/CA333/9021	6.10	900	212

SADENCO CLEATS

MULTICABLE CLEATS SINGLE BOLT TYPE: MCS10

MATERIALS : DIE CAST
ALUMINUM

FIXING BOLT : L- KEY
M 12X50

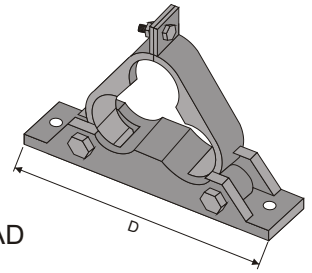


CATALOG #	CABLE DIA. (Mm)	D (mm)
MCS10/01	30 - 33	140
MCS10/02	33 - 36	140
MCS10/03	36 - 39	140
MCS10/04	39 - 42	165
MCS10/05	42 - 45	165
MCS10/06	45 - 48	165
MCS10/07	48 - 51	165
MCS10/08	51 - 54	165
MCS10/09	54 - 57	165
MCS10/10	57 - 60	165

MULTICABLE CLEATS DOUBLE BOLT TYPE : MCD11

MATERIALS : DIE CAST
ALUMINUM

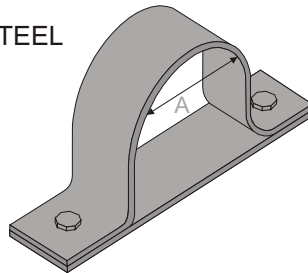
FIXING BOLT : HEX. HEAD
M 12X30



CATALOG #	CABLE DIA. (Mm)	D (mm)
MCD11/01	30 - 33	185
MCD11/02	33 - 36	185
MCD11/03	36 - 39	185
MCD11/04	39 - 42	220
MCD11/05	42 - 45	220
MCD11/06	45 - 48	220
MCD11/07	48 - 51	220
MCD11/08	51 - 54	220
MCD11/09	54 - 57	220
MCD11/10	57 - 60	220

P-CLAMP TYPE : PC12

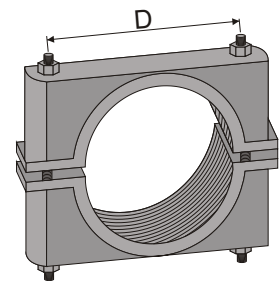
MATERIAL : GALVANIZED STEEL
HDGAF STEEL ALUMINUM
STAINLESS STEEL



CATALOG #	A (mm)
PC12/01	21.3
PC12/02	26.9
PC12/03	33.7
PC12/04	42.4
PC12/05	48.3
PC12/06	60.3
PC12/07	76.1
PC12/08	88.9
PC12/09	114.3
PC12/10	134.7
PC12/11	168.3

CABLE CLEATS TYPE : CC13

MATERIAL : DIE CAST
ALUMINUM
FIXING BOLTS :M10



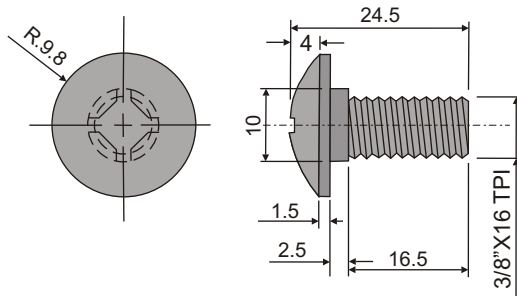
CATALOG #	CABLE DIA. (Mm)	D (mm)
CC13/01	37.1 - 38.1	55.0
CC13/02	38.1 - 44.4	55.0
CC13/03	44.4 - 50.8	55.0
CC13/04	50.8 - 57.1	76.5
CC13/05	57.1 - 63.5	76.5
CC13/06	63.5 - 69.8	115.0
CC13/07	69.8 - 76.2	115.0

SADENCO U-CHANNEL SUPPORT SYSTEM

SPLINE BOLT

CATALOG #: UC/SS/SB

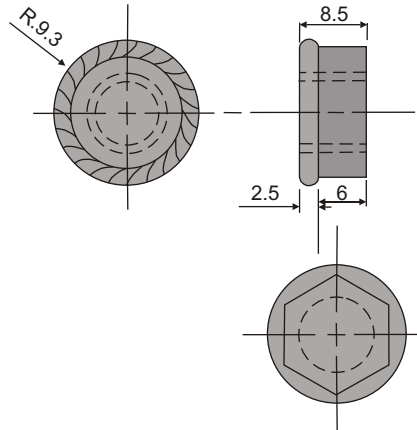
MATERIAL : STAINLESS STEEL 304
GALVANIZED STEEL



SERRATED FACE NUT

CATALOG #: UC/SS/SFN

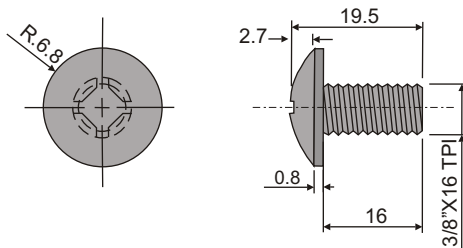
MATERIAL : STAINLESS STEEL 304
GALVANIZED STEEL



ROOFING BOLT (M6X16mm)

CATALOG #: UC/SS/RB96

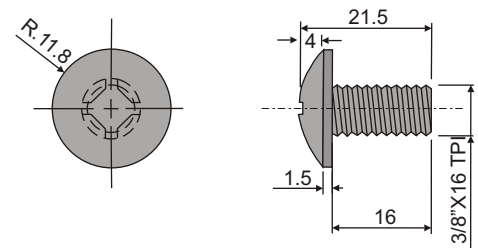
MATERIAL : STAINLESS STEEL 304
GALVANIZED STEEL



ROOFING BOLT (M10X16mm)

CATALOG #: UC/SS/RB160

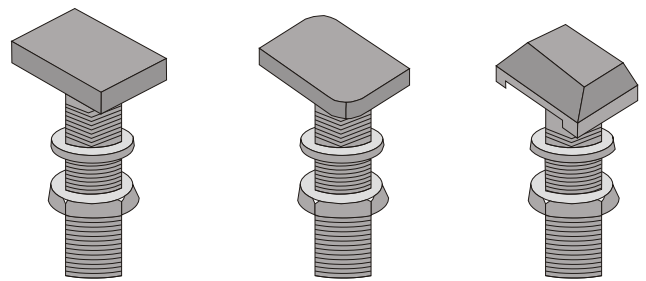
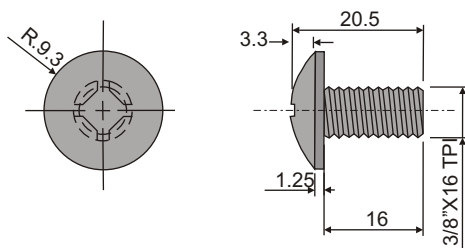
MATERIAL : STAINLESS STEEL 304
GALVANIZED STEEL



ROOFING BOLT (M8X16mm)

CATALOG #: UC/SS/RB128

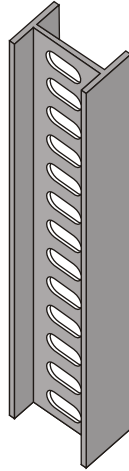
MATERIAL : STAINLESS STEEL 304
GALVANIZED STEEL



HAMMER HEAD BOLTS

SADENCO I SUPPORT APPLICATION

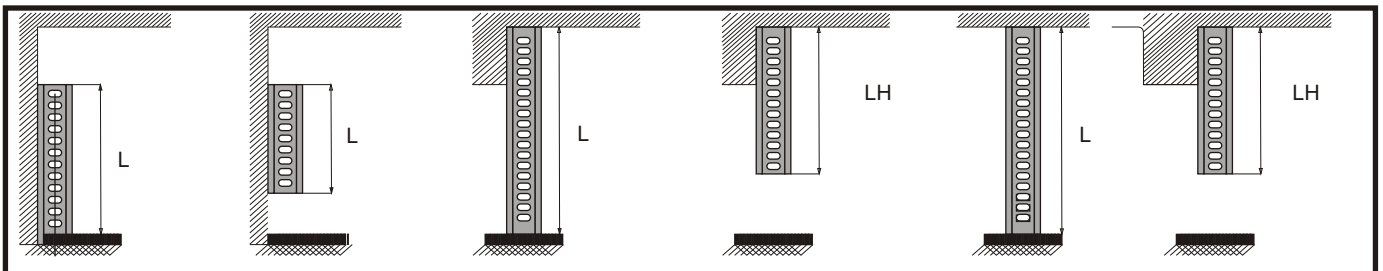
I - SUPPORT
CATALOG #: SIS1



AVAILABLE IN LENGTHS UP TO 6000mm.
USED AS WALL - HANGING OR STEEL GIRDERS.
MATERIALS : HOT ROLLED PROFILE STEEL
FINISHING : HOT DIP GALVANIZED

ITEM NO.	LENGTH	Weight Kg.
SIS1-200	200	1.20
SIS1-300	300	1.80
SIS1-400	400	2.40
SIS1-500	500	3.00
SIS1-600	600	3.60
SIS1-700	700	4.20
SIS1-800	800	4.80
SIS1-900	900	5.40
SIS1-1000	1000	6.00
SIS1-1100	1100	6.60
SIS1-1200	1200	7.20
SIS1-1300	1300	7.80
SIS1-1400	1400	8.40
SIS1-1500	1500	9.00
SIS1-1600	1600	9.60
SIS1-1700	1700	10.20
SIS1-1800	1800	10.80
SIS1-1900	1900	11.40
SIS1-2000	2000	12.00
EACH FURTHER 100		0.60
SIS1-6000	6000	36.00

APPLICATION EXAMPLES:



MAX. LOAD AS HANGING SUPPORT
LH WITH TWO SIDED LOAD = 720 kg

LH - Max. 200 mm

SADENCO HEAD PLATES FOR I - SUPPORT

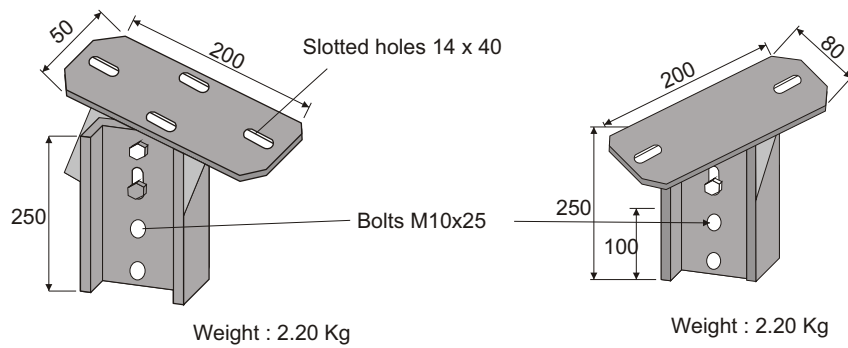
FOR INCLINED CEILING AND GIRDERS

Maximum Length of

1-Support ... Is 2000mm

Girder Flange Width 90-150mm

Finishing : Hot Dip Galvanized



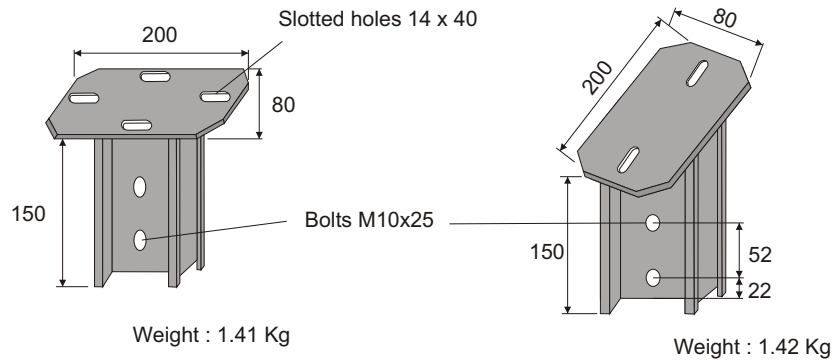
FOR HORIZONTAL CEILING AND GIRDERS

Maximum Length of

1-Support ... Is 2000mm

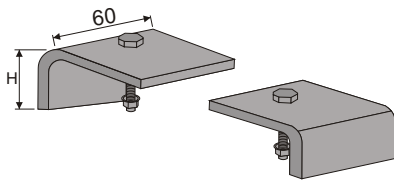
Girder Flange Width 90-150mm

Finishing : Hot Dip Galvanized



CLAMPING ANGLES

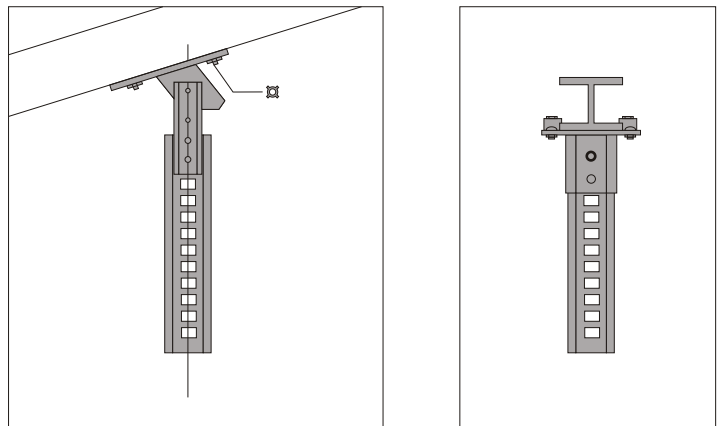
For fixing head - plates to flange girder



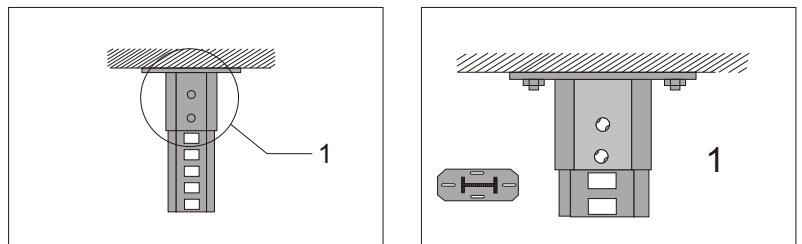
Weight : 0.07 Kg

- ▣ H value will be changed due to the profile
- ▣ usable for flange widths from 90 to 150mm
- ▣ 2 pcs. Bolts m 12 x (h=30)mm

APPLICATION EXAMPLES FOR FIXING

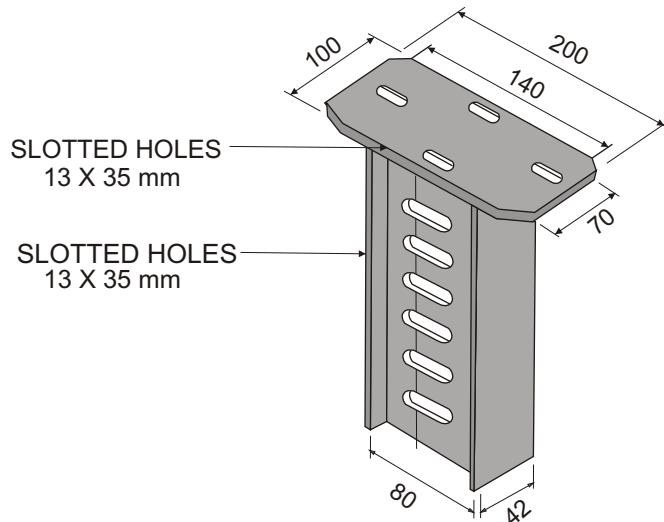
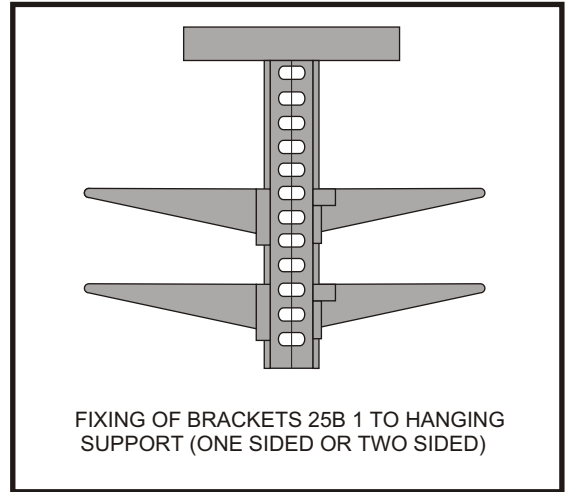
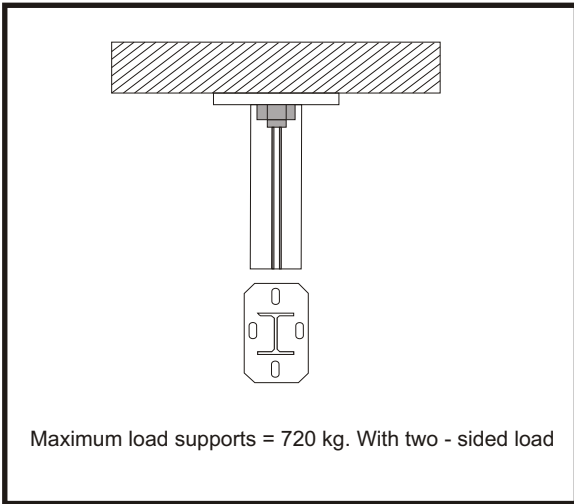


Maximum load of hanging support 720 kg. With two sided load



SADENCO HANGING I - SUPPORT

APPLICATION



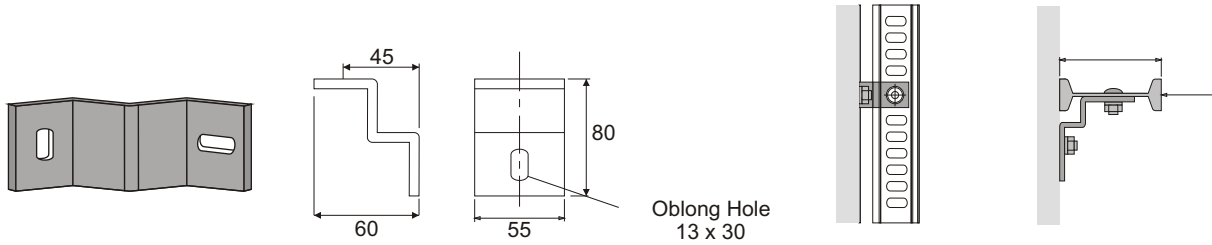
ITEM NO.	LENGTH	Weight Kg.
SH1/200	200	1.20
SH1/200	300	2.50
SH1/200	400	3.10
SH1/200	500	3.70
SH1/200	600	4.30
SH1/200	700	4.90
SH1/200	800	5.50
SH1/200	900	6.20
SH1/200	1000	6.70
SH1/200	1100	7.30
SH1/200	1200	7.90
SH1/200	1300	8.50
SH1/200	1400	9.10
SH1/200	1500	9.70
SH1/200	1600	10.30
SH1/200	1700	10.90
SH1/200	1800	11.50
SH1/200	1900	12.10
SH1/200	2000	12.70

Material : Hot - Rolled profile steel
Finishing : Hot dip galvanized

SADENCO JOINTING MATERIALS AND APPLICATION

ANCHOR BLOCK :
For I - support wall mounting.

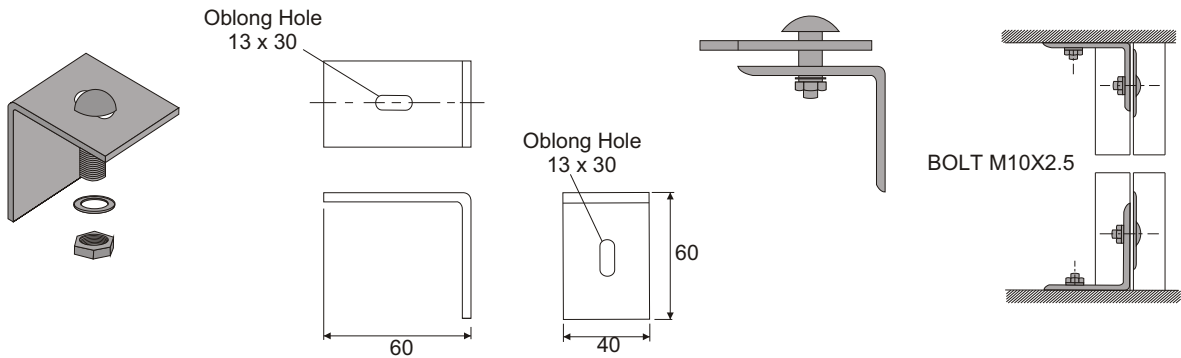
APPLICATION :



CATALOG # : SAB/010

CORNER ANCHOR :
For I - support wall and ceiling mounting.

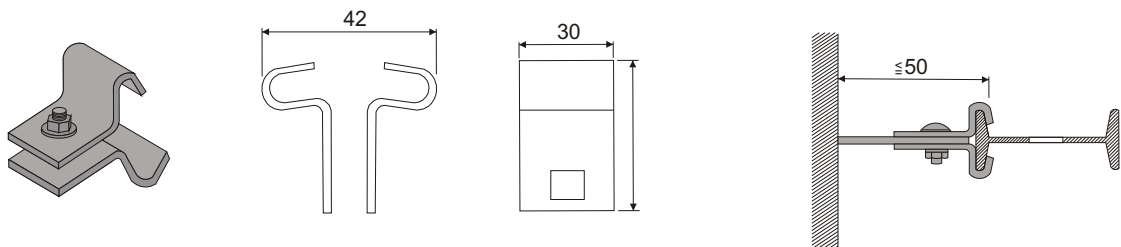
APPLICATION :



CATALOG # : SCA/020

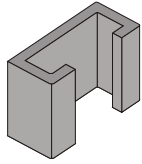
SUPPORT CLAW:
For I - support to keep distance to wall,
ceiling and steel girders.

APPLICATION :

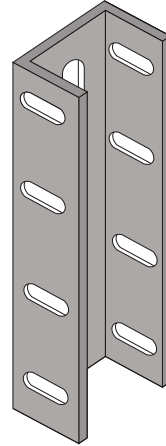


CATALOG # : SCC/030

SADENCO U SUPPORT AND ACCESSORIES

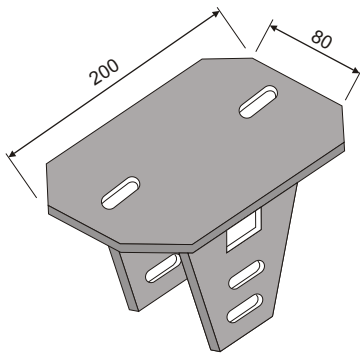


CATALOG #: SS/0035
Separator
Weight : 0.5 Kg.

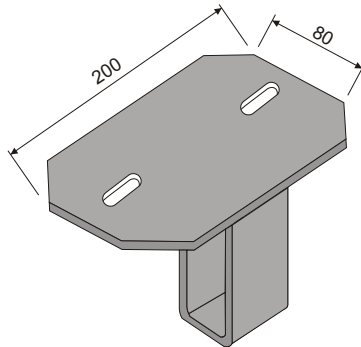


JOINTING PIECE
CATALOG #: SJP/040
Weight : 0.5 Kg.

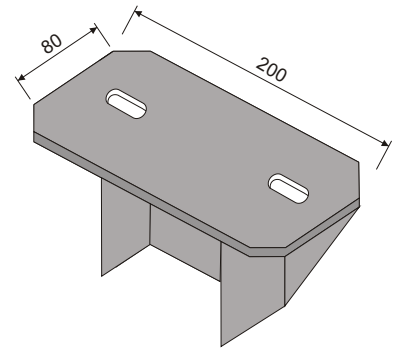
HEAD PLATES:



CATALOG #: SHP/045
Weight : 1.55 Kg

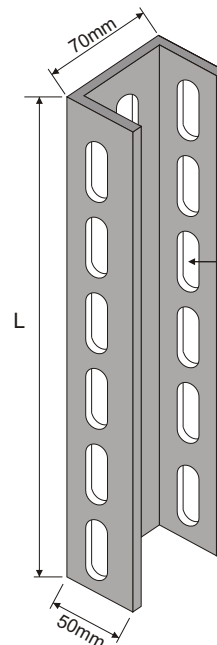


CATALOG # : SHP/050
Weight : 1.6 Kg



CATALOG #: SHP/055
Weight : 1.7 Kg

CATALOG #	L (mm)	Weight Kg.
SUS1 - 200	200	.80
SUS1 - 300	300	1.20
SUS1 - 400	400	1.60
SUS1 - 500	500	2.00
SUS1 - 600	600	2.40
SUS1 - 700	700	2.80
SUS1 - 800	800	3.20
SUS1 - 900	900	3.60
SUS1 - 1000	1000	4.00
Each further 100 mm		0.4kg
SUS1 - 200		24.00



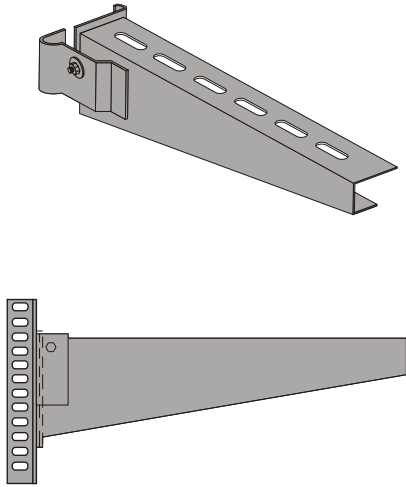
Available in lengths up to 6000 mm. Used as wall - hanging or on steel girders. Finishing : Hot dip galvanized

SLOTS
 13 X 35 mm

CATALOG #: SUS1

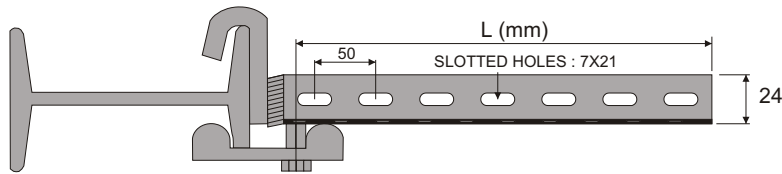
SADENCO I - SUPPORT BRACKET

I - SUPPORT BRACKETS (Medium Duty) CATALOG # : SIB/001

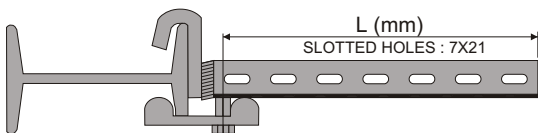
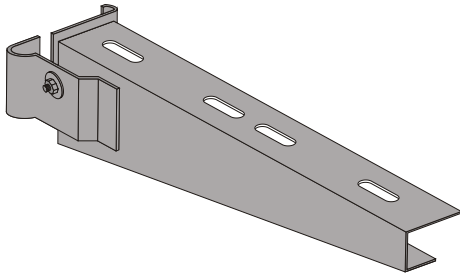


ITEM NO.	L (mm)	A (mm)	Weight Kg/pc.
SIS1-110	110	70	.37
SIS1-160	160	70	.42
SIS1-210	210	70	.48
SIS1-260	260	70	.55
SIS1-310	310	70	.80
SIS1-360	360	70	.90
SIS1-410	410	70	1.00
SIS1-460	460	80	1.10
SIS1-510	510	80	1.20
SIS1-560	560	80	1.35
SIS1-610	610	100	1.85
SIS1-670	670	100	2.05
SIS1-720	720	100	2.2

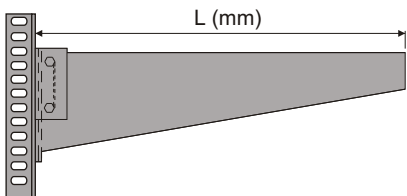
Max. Permissible load at $\frac{1}{2} L = 360$ Kg.
Infinite variable for all and T supports system
Finishing Hot Dip Galvanized



SUPPORT BRACKETS (Heavy Duty) CATALOG # : SSB/002



EXAMPLE OF FIXING

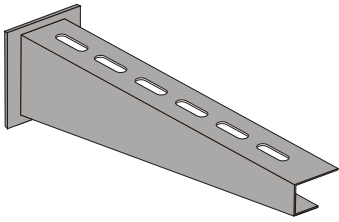


ITEM NO.	L (mm)	A (mm)	Weight Kg/pc.
SIS2-200 W	200	80	.70
SIS2-250 W	250	80	.75
SIS2-300 W	300	80	.85
SIS2-350 W	350	80	.90
SIS2-400 W	400	80	1.00
SIS2-450 W	450	130	1.75
SIS2-500 W	500	130	1.85
SIS2-550 W	550	130	1.95
SIS2-600 W	600	130	2.10
SIS2-650 W	650	130	2.20
SIS2-700 W	700	130	2.30
SIS2-750 W	750	190	3.25
SIS2-800 W	800	190	3.40
SIS2-800 W	850	190	3.60

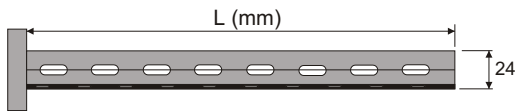
Max. Permissible load at $\frac{1}{2} L = 500$ Kg.
Finishing Hot Dip Galvanized

SADENCO I - WALL MOUNTED BRACKETS

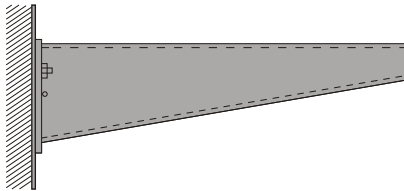
WALL MOUNTED BRACKET (Medium Duty) CATALOG # : WBM



To be fixed on concrete wall and U - support system
Finishing hot dip galvanized after fabrication



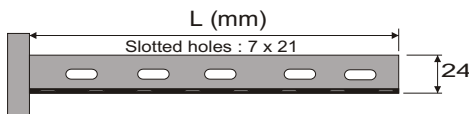
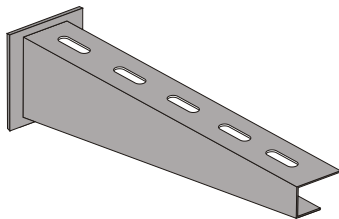
FIXING :



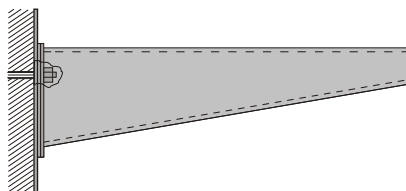
CATALOG #.	L (mm)	A (mm)	Weight Kg/pc.
WBM - 110	110	70	.25
WBM - 160	160	70	.30
WBM - 210	210	70	.35
WBM - 260	260	70	.40
WBM - 310	310	70	.55
WBM - 360	360	70	.65
WBM - 410	410	70	.70
WBM - 460	460	80	.85
WBM - 510	510	80	1.10
WBM - 560	560	80	1.20
WBM - 610	610	100	1.80
WBM - 670	670	100	2.00
WBM - 720	720	100	2.20

Max. Permissible load at $\frac{1}{2}L = 360$ Kg.
Finishing hot dip galvanized after fabrication

WALL MOUNTED BRACKET (Heavy Duty) CATALOG # : WBH



FIXING :



CATALOG #:	L (mm)	A (mm)	Weight Kg/pc.
WBH - 200 W	200	80	.55
WBH - 250 W	250	80	.65
WBH - 300 W	300	80	.70
WBH - 350 W	350	80	.80
WBH - 400 W	400	80	.85
WBH - 450 W	450	70	1.75
WBH - 500 W	500	160	1.85
WBH - 550 W	550	160	2.00
WBH - 600 W	600	160	2.10
WBH - 650 W	650	160	2.20
WBH - 700 W	700	160	2.35
WBH - 750 W	750	210	3.45
WBH - 800 W	800	210	3.65
WBH - 850 W	850	210	3.80

Max. Permissible load at $\frac{1}{2}L = 500$ Kg.
Finishing hot dip galvanized after fabrication

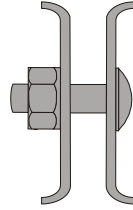
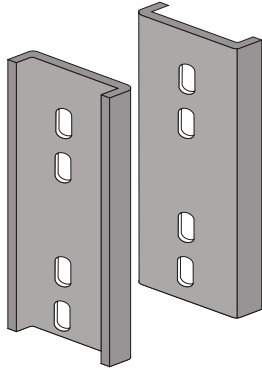
ANCHORS :

M12 for L < 400 mm
M16 for L > 400 mm

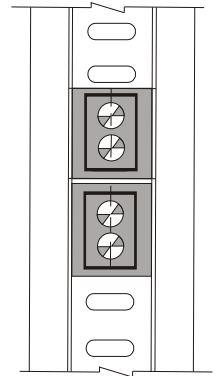
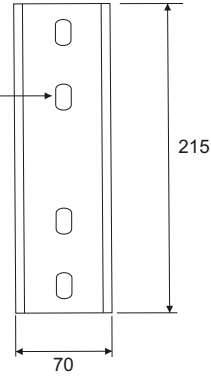
SADENCO BRACKETS AND APPLICATION

JOINTING PIECE: To connect I - support
CATALOG # : S/JP

APPLICATION :

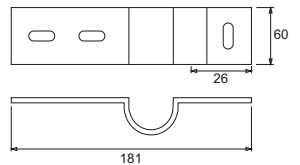
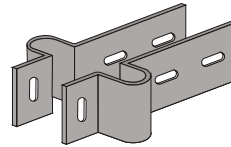
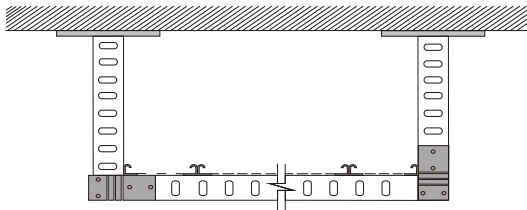


Oblong hole
11x20



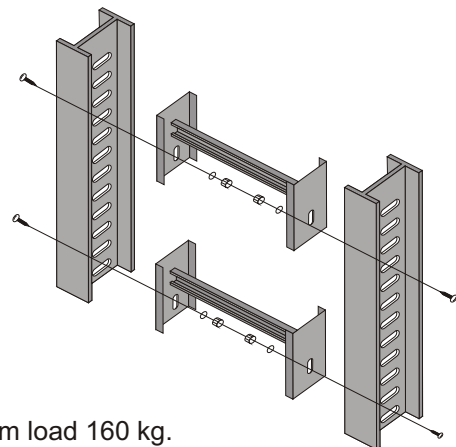
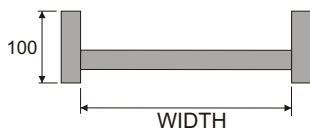
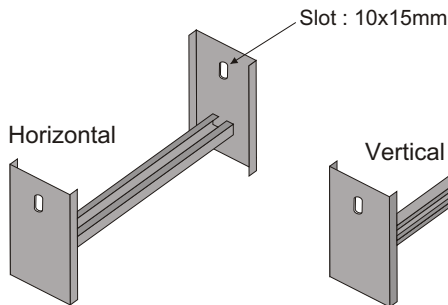
APPLICATION :

SUPPORT CLAMP : For I - supports to connect
I - supports at right angle
CATALOG # : S/SC



JOINTING BRACKET
CATALOG # : S/JB

APPLICATION :

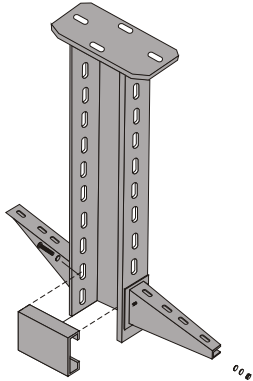


Maximum load 160 kg.
 Finishing hot dip galvanized
 on order specify width of Bracket.

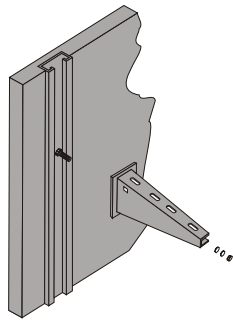
NOTE: On order specify width

SADENCO APPLICATION

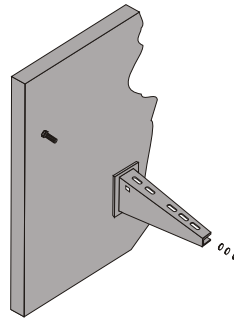
Two - sided bracket installation



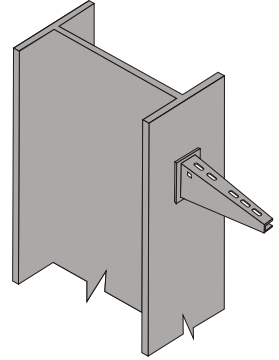
Anchor rail mounting



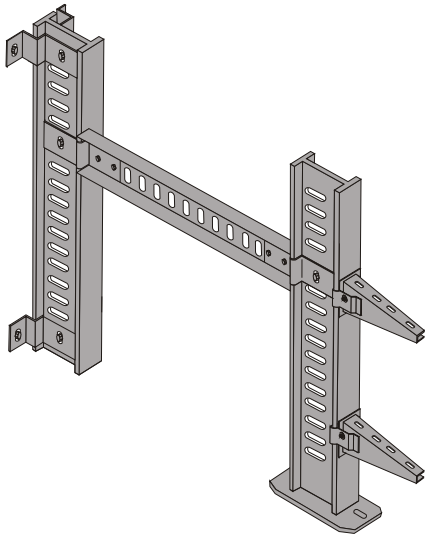
Wall mounting using dowels



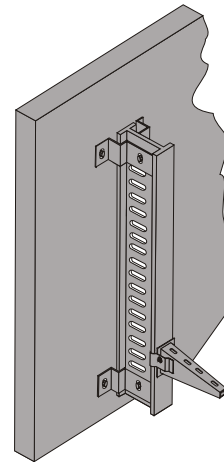
Girder mounting, welding on



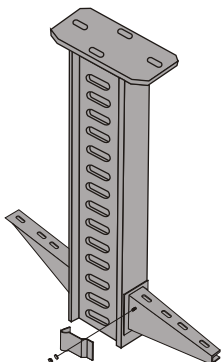
Special design including bracket installation



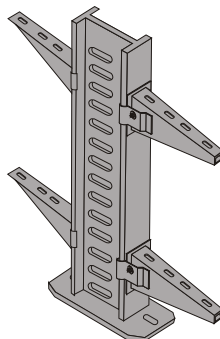
Wall mounting



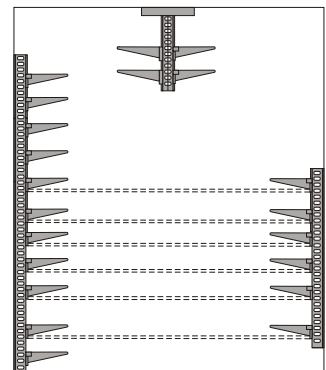
Mounting to support on both sides



Bracket installation/floor support



EXAMPLE OF APPLICATION

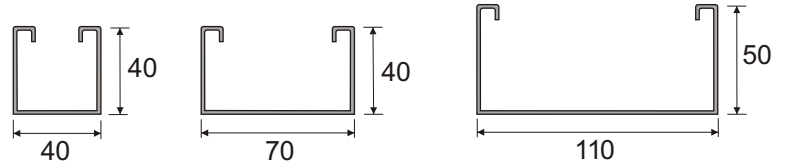


SADENCO RACE WAY SYSTEM

RACE WAY BODY

KNOCK OUT for connection is every 200 mm spacing.

Catalog No.	Type	Standard Length	REM
SJR-0001	40 X 40		
SJR-0011	40 X 40	3m	
SJR-0021	110 X 50		



COVER

Zinc Galvanized (1.2t)

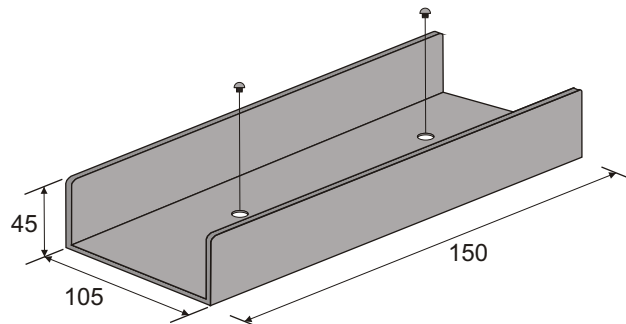
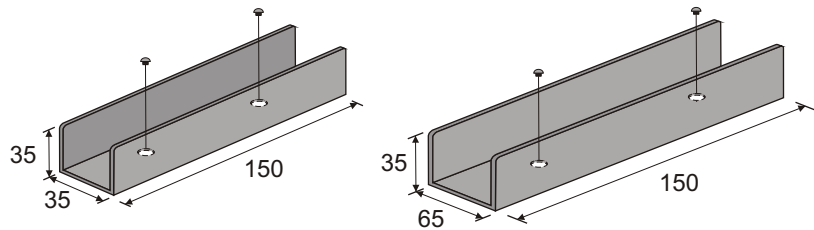
Catalog No.	Standard Length	REM
SJR-0101		
SJR-0111	3m	
SJR-0121		



JOINER

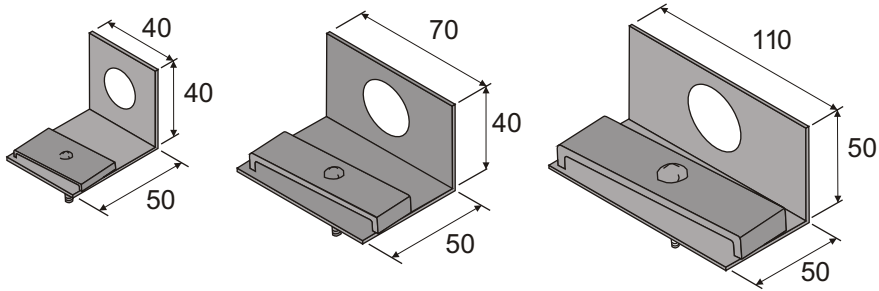
Electro Zinc Galvanized (2.0t)

Catalog No.	Standard Length	REM
SJR-0201		
SJR-0211	150m	
SJR-0221		



SADENCO RACE WAY SYSTEM

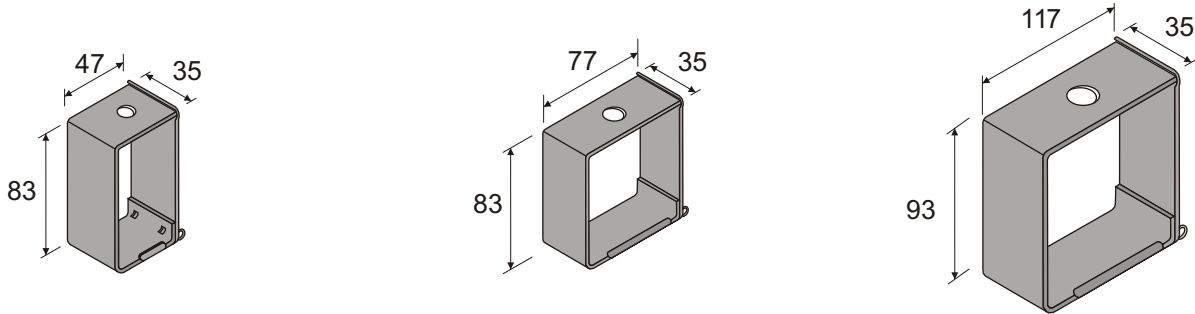
END CAP



Electrical Zinc Galvanized (1.6t)

CATALOG NO. SJR-0301

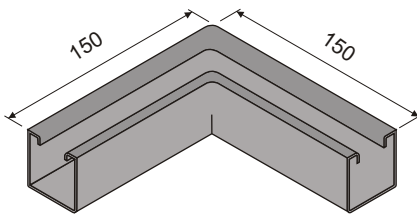
A TYPE HANGER



Electrical Zinc Galvanized (1.6t)

CATALOG NO. SJR-0401

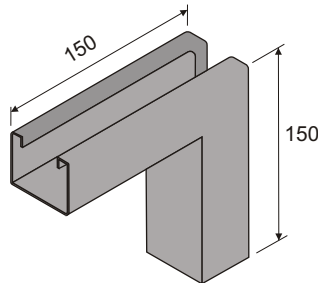
HORIZONTAL ELBOW



HOT Dip Galvanized (1.6t)

CATALOG #: SJR-0501

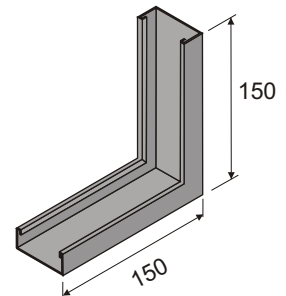
VERTICAL INSIDE ELBOW



HOT Dip Galvanized (1.6t)

CATALOG #: SJR-0601

VERTICAL OUTSIDE ELBOW



HOT Dip Galvanized (1.6t)

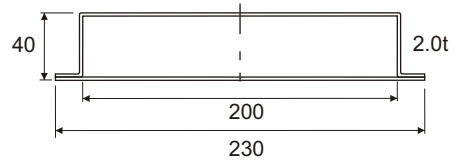
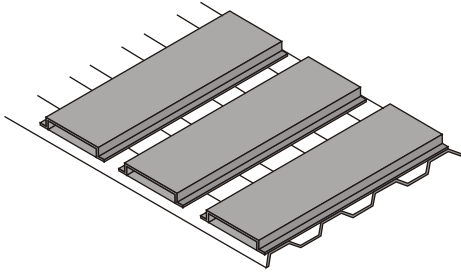
CATALOG #: SJR-0701

SADENCO HEADER DUCT SYSTEM

HEADER DUCT AND ACCESSORIES

HEADER DUCT

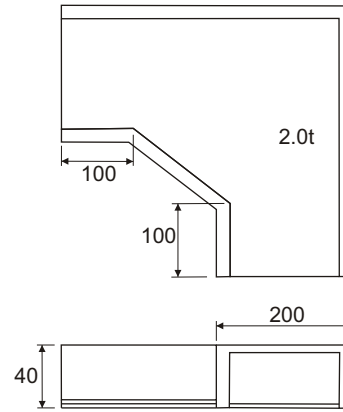
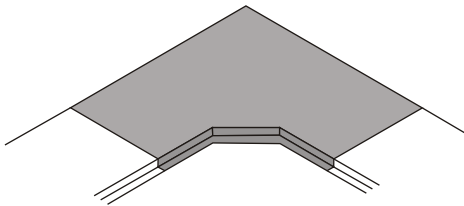
Material: Galvanized Iron (Steel)
Length : 3000 mm



CATALOG #: S/HD010

HEADER ELBOW

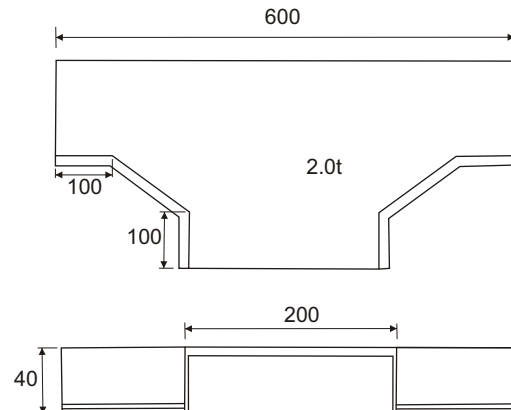
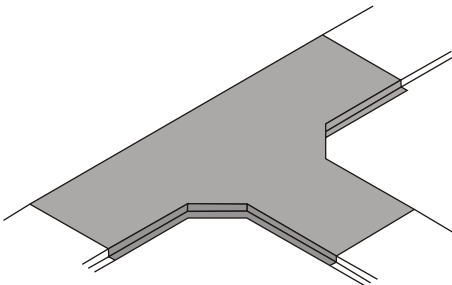
Materials : Galvanized Iron (Steel)



CATALOG #: S/HE011

HEADER TEE

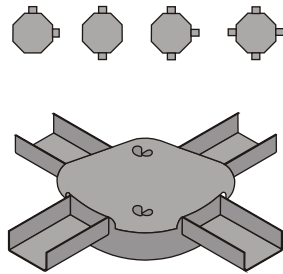
Materials : Galvanized Iron (Steel)



CATALOG #: S/HT012

SADENCO RACE WAY SYSTEM

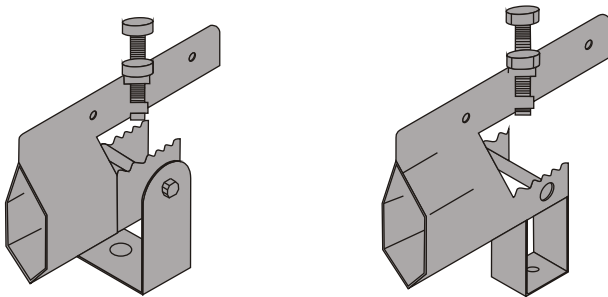
JUNCTION BOX



CATALOG NO.	TYPE
SJR-0801	End Box
SJR-0802	L Type Box
SJR-0803	I Type Box
SJR-0804	T Type Box
SJR-0805	Cross Box

Electric Zinc Galvanized (1.6t)

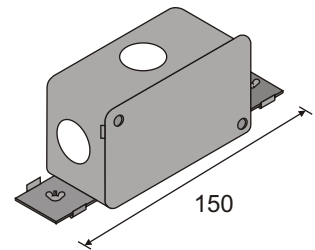
C TYPE HANGER



Electric Zinc Galvanized (3.2t)

CATALOG NO.	SJR-0900
-------------	----------

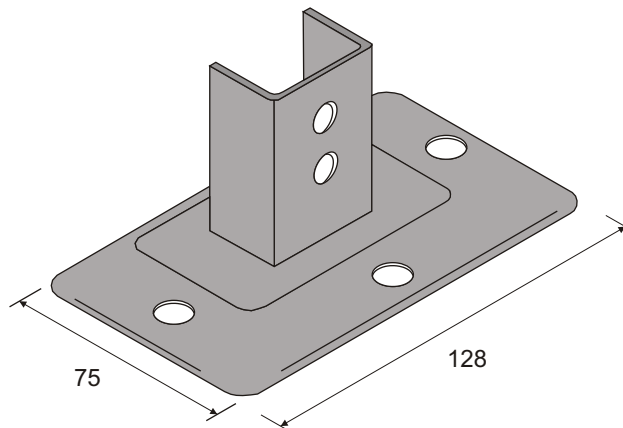
JOINT BOX



Electric Zinc Galvanized (1.6t)

CATALOG NO.	SJR-1000
-------------	----------

C TYPE HANGER



Electro Zinc Galvanized (2.0t)

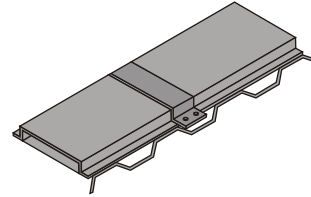
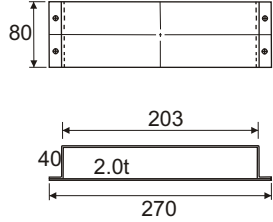
CATALOG NO.	SJR-1100
-------------	----------

SADENCO HEADER DUCT SYSTEM

HEADER DUCT AND ACCESSORIES

HEADER DUCT CONNECTOR

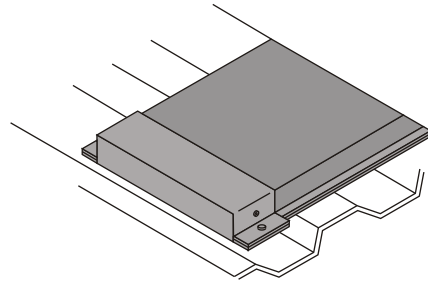
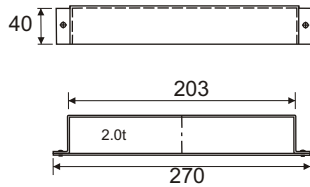
Material : Galvanized Iron (Steel)



CATALOG #: S/HDC

HEADER DUCT END PLATE

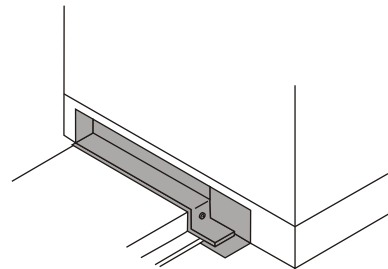
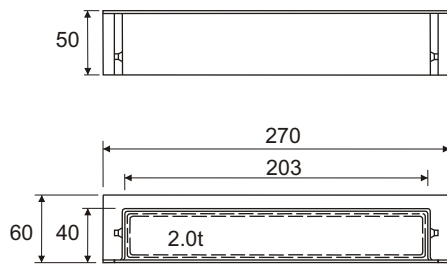
Material : Galvanized Iron (Steel)



CATALOG #: S/HDEP

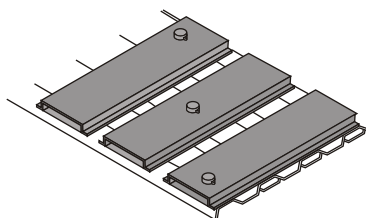
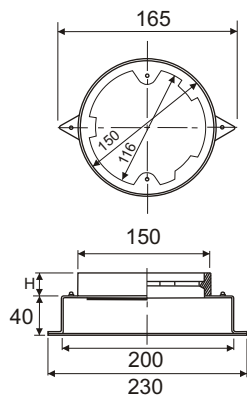
HEADER DUCT FLANGE

Material : Galvanized Iron (Steel)



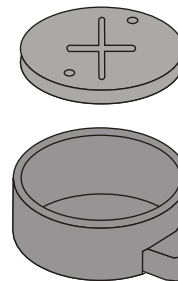
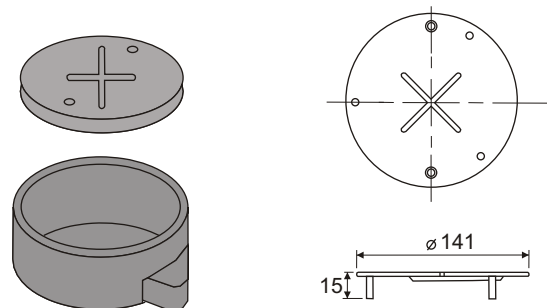
CATALOG #: S/HDF

JUNCTION BOX



CATALOG #: S/JV

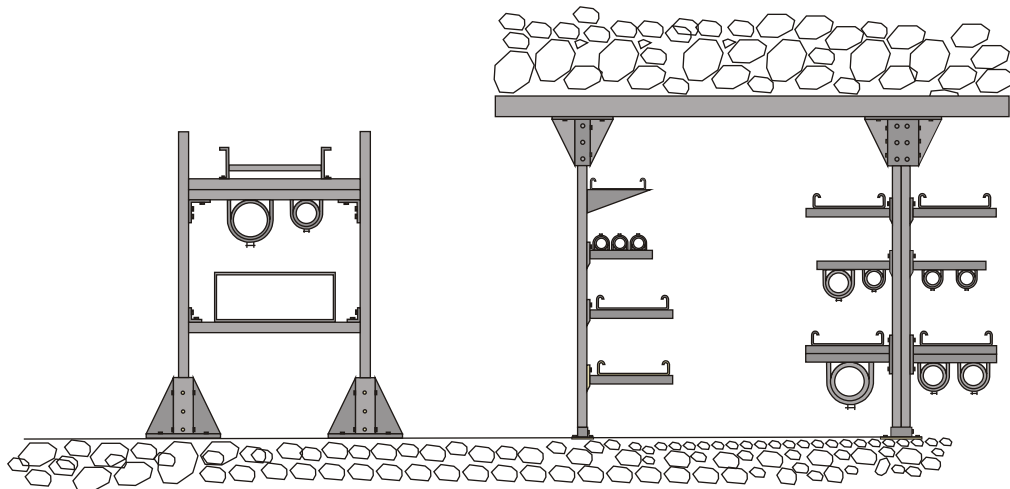
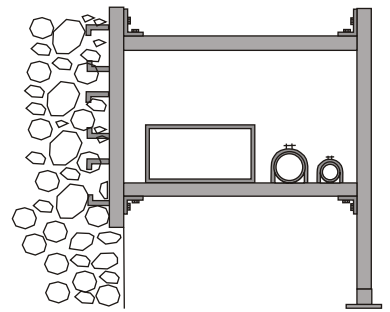
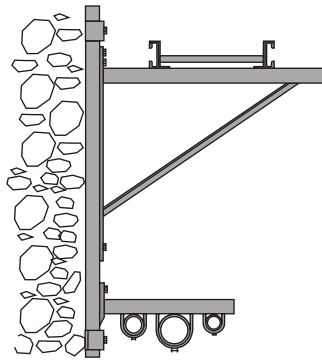
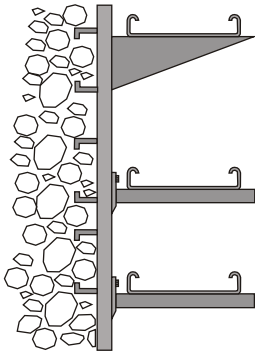
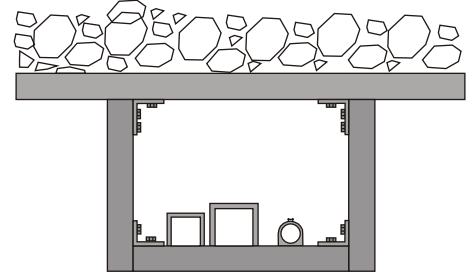
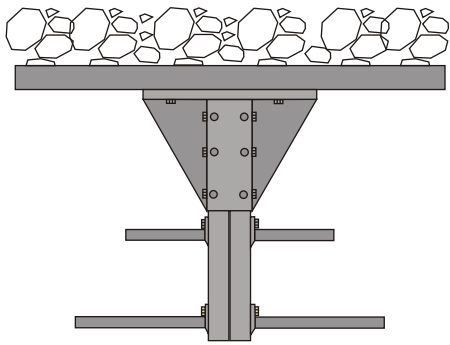
JUNCTION BOX COVER



CATALOG #: S/JVC

SADENCO U-CANNEL INSTALLATION DETAIL

U-CANNEL SUPPORTING INSTALLATION DETAIL



TECHNICAL DATA

Coating Weight for ASTM A123 (1989)

MINIMUM WEIGHT OF ZINC COATING (g/m ²)					
Steel Category	Under 1/16 (1.6)	1/16 to under 1/8 (1.6 - 3.2)	1/8 to 3/16 (3.2 - 4.8)	Over 3/16 to Under 1/4 (4.8 - 6.4)	1/4 to Over (6.4)
Structural Shape	320(45)	460(65)	605(85)	605(85)	710(85)
Strip	320(45)	460(65)	515(75)	605(85)	710(85)
Pipe	-	-	515(75)	515(75)	515(75)
Wire	320(45)	320(45)	460(65)	460(65)	605(85)

Coating Weight for BS 729

Category		Minimum average coating weight for individual test area (g/m ²)
Steel which are not centrifuged	5 mm thick over	610
	Under 5 mm but not less than 2mm	460
	5 mm thick over not less than 1 mm	335
Grey and malleable in iron castings		610
Threaded work and other articles which are centrifuged		305

Coating Weight Specification

Type	Code	Coating Amount		Remarks
		g/m ²	Um	
KS D8308 JIS H8641	HDZ 35	350 Over	49.0	Thickness 1mm over - under 2mm
	HDZ 40	400 Over	56.0	Thickness 2mm over - under 3mm
	HDZ 45	450 Over	63.0	Thickness 3mm over - under 5mm
	HDZ 50	500 Over	70.0	Thickness 5mm over
	HDZ 55	550 Over	77.0	Steel, casting part and forging part over 5mm when exposed to severe corrosive environment
	HDZ 61	610 Over	85.4	Steel, casting part and forging part over 5mm when exposed to severe corrosive environment
ASTM A123	Structural Shape Standard	320	45	Thickness under 1.6mm
		460	65	Thickness above 1.6mm - under 3.2mm
		605	85	Thickness above 3.2mm - under 4.8mm
		605	85	Thickness 4.8mm over - under 6.4 mm
		710	100	Thickness 6.4mm over
ASTM A153		397 over	55.5	Thickness under 38.1mm
		458 over	64.1	Thickness 4.76mm - over 38.1mm
		610 over	85.4	Thickness under 4.76mm - over 38.1mm
BS 729		335 over	46.9	Thickness 1mm over - under 2mm
		460 over	64.4	Thickness 2mm over - under 5mm
		610 over	85.4	Thickness 5mm over

TECHNICAL DATA

COATING WEIGHT (ASTM A153) WEIGHT OF ZINC COATING VARIOUS CLASSES

Class of Material	Minimum weight of Zinc Coating Oz/Ft ² (g/m ²) of surface	
	Average of Specimen tested	Any individual Specimen
Class A - Castings- Malleable, Iron, Steel	2.00 (610)	1.80 (550)
B - Rolled, pressed and forged article (except those which would be included under classes C and D) B1 - 3/16 in. (4.76 mm) and over in thickness and over 8 in (203.2mm) in length.	2.00 (610)	1.80 (550)
B2 - Under 3/16 in. (4.76mm) in thickness and over 8 inches length	1.50 (458)	1.25 (381)
B3 - 8 inches and under in length and any thickness	1.30 (397)	1.10 (336)
Class C - Bolts and drive screw (over 3/8 in. (9.52mm in diameter and similar article. Washers 3/16 and a/4 in. (4.76 and 6.35mm) thick	1.25 (381)	1.00 (305)
Class D - Screw, stove bolt and bolts, (3/8 inches and under in washers under 3/16 inches thick.	1.00 (305)	0.85 (259)

A in the case of long pieces, such as anchor rods and similar article over 5ft. (1.52 m) in length, the weight of coating shall be the average of the determined made of each end had the middle of the article. In case of composite piece, each the number of specimen to be tested per order shall be agreed upon, at the time of purchase by the manufacturer and the purchaser.

Coating Weight for BS 729

Category		Minimum Weight of Zinc Coating Oz/Ft ² (g/m ²) of surface
Steel which are not centrifuged	5 mm thick cover	610
	Under 5 mm but not less than 2 mm	460
	5 mm thick over not less than 1 mm	335
Grey and malleable in iron castings		610
Threaded work and other articles which centrifuged		305

The coating weight per unit are of the surface is given term of g/m² of surface. if the coating thickness is required, the following conversion factor should be used, which assumes the density of the coating to be g/cm².

$$1/m^2 = 0.14 \text{ um}(305g/m^2 = \text{loz}/\text{Ft}^2 = 43 \text{ um} = 0.0017 \text{ in.})$$

TECHNICAL DATA

ZINC HOT DIP GALVANIZING

SPECIFICATION OF ZINC HOT DIP GALVANIZING

KS D8308 : Korean Industrial Standard

JIS H8641 : Japanese Industrial Standard

CLASSIFICATION	DESIGNATION	COATING MASS (G/M ²)	NUMBER OF TIMES COPPER SULPHATE TEST	EXAMPLE OF APPLICATION (Reference)
Class 1	HDZ A		4 times	Rolled Steel excluding tubes , Steel product, tubular products up to and include 5 mm in thick, bolts and nuts 12 mm and over in dia and washes over 2.3 mm in thick.
	HDZ B		5 times	Rolled Steel excluding tubes, and steel products, Steel tubular products, Steel tubular products and casting and forgings over 5 min in thick.
Class 2	HDZ 35	350 min		Rolled Steel excluding tubes, and steel products, Steel products with a range of 1 mm and over to up to and incl. 2 mm in thick, bolts, and nuts 12 mm and over in dia and washers over 2.3 mm over in thick.
	HDZ 40	400 min		Rolled Steel excluding tubes, and steel products, Steel products with a range of 3 mm and over to up to and incl. 5 and castings forgings.
	HDZ 45	450 min		Rolled Steel excluding tubes, and steel products, Steel products with a range of 3 mm and over to up to and incl. 5 and castings forgings.
	HDZ 50	500 min		Rolled Steel excluding tubes, and steel products, Steel products with a range of 5 mm and and castings forgings.
	HDZ 55	550 min		Rolled Steel excluding tubes, Steel products, Steel products casting and forging to be served under severe corrosion environmental condition.
	HDZ 61	610 min		Rolled Steel excluding tubes, Steel products, Steel products casting and forging 5mm and over in thickness to be served under severe corrosion environmental conditions .

TECHNICAL INFORMATION

ZINC HOT DIP GALVANIZING

SPECIFICATION OF ZINC HOT DIP GALVANIZING

Coating Weight for ASTM A 153 (1987)

Class of Material	Minimum Weight of Zinc Coating OZ/ft ² (g/m ²) of surface	
	Average of Specimens tested	Any individual Specimen
Class A - Castings - Malleable , Iron , Steel	2.00(610)	1.80(550)
Class B - Rolled, pressed and forged article (except those which would be included under classes C and D) B1 - 3/16 in (4.76mm) and over 1 thickness and over 15 inches (381mm) in length.	2.00(610)	1.80 (550)
B2 - Under the 3/16 in. (4.76 mm) in thickness and over 15 inches (381mm) in length.	1.50(458)	1.25 (381)
B3 - Any thickness and 15 inches (381mm) and under in length.	1.30(397)	1.10(336)
Class C - Fastener over 3/8 in (9.52mm) in diameter similar Articles. Washers 3/16 inches and 6.35mm) in thickness.	1.25(381)	1.00(305)
Class D - Fastener over 3/8 in (9.52mm) in diameter rivets nails and similar articles. Washers under 3/16 in.(4.76mm) in thickness	1.00(305)	0.85 (259)

TECHNICAL DATA

Electro Galvanized Zinc (ASTM B633 (formerly A 164))

Electro Galvanized Zinc (Also Known as zinc plated or Electroplated) is the process by which a coating of zinc is deposited on the steel by electrolysis from a bath of zinc salts.

The coating is pure zinc and adhere to the steel by a food metal to metal bond. A maximum of 1.0 mils of zinc can be applied by this method.

When exposed to air and moisture, zinc forms a tough, adherent protective film consisting of a mixture of zinc oxides, hydroxides, and carbonates.

The film is itself a barrier coating which show subsequent corrosive attack on the zinc. This coating is usually recommended for indoor in relatively dry areas.

Pre-Galvanized Zinc (ASTM 1525) (Coating Designation G900)

Pre-galvanized steel is produced by coating of sheet steel with zinc by continuously rolling the sheets through molten zinc at the mills. This is also known as mill galvanized or hot dip mill - galvanized. These coils are then slit to size and fabricated by roll forming, shearing, punching or forming to produce pre-galvanized cable trays.

During fabrication, cut edges and welded areas are not normally zinc coated, however, the zinc near the uncoated metal becomes a sacrifice anode the bare areas after a short period.

Pre-Galvanized steel is not generally used outdoors in suitable for extended exposure in dry or mildly corrosive atmosphere.

Comparison of Korean Standard (KS) with other standards:

Applicable Standards	Coating Type	Minimum Coating Weight	
		Triple spot test (g/m ²)	Single spot test (g/m ²)
KSD 3506-81	SBHG 1	275	-
ASTM A252-77	G 90	275	244
BS 2989-75	C	275	236

HOT DIP GALVANIZED

Hot Dip Galvanized after fabrication accordance with the required specification; namely ASTM A 153, A 386, Bs 729, JIS H841 and KSD 8303 . After a cable tray or fitting is fabricated and assembled, it is completely immersed in a bath of MOLTEN ZINC. A metallurgic occurs resulting in a zinc coating that completely coats all surfaces including edges and welds

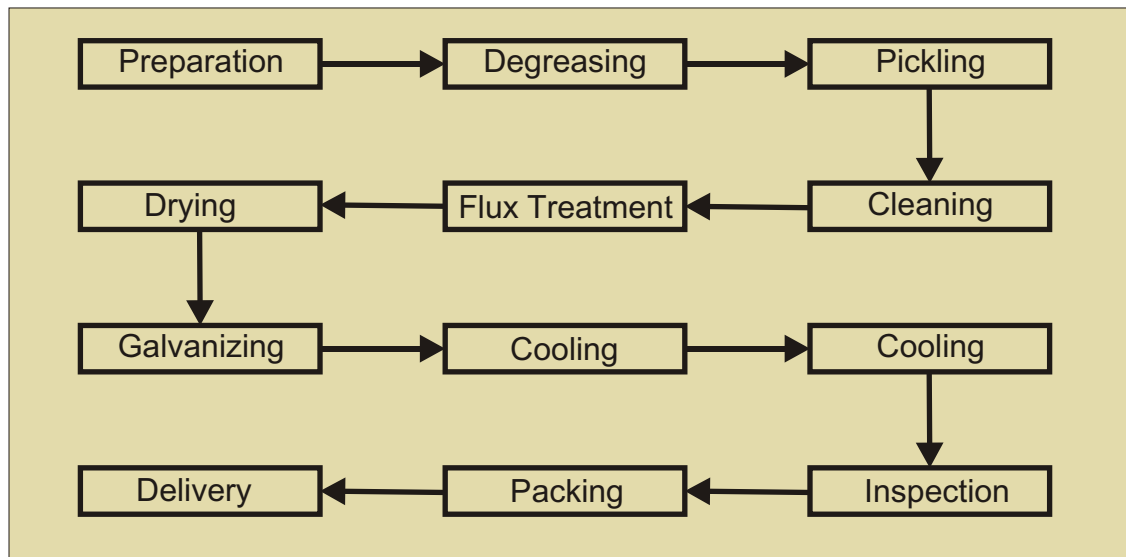
The most important advantage of this method is coating thickness. Cable trays hot dip galvanized after fabrication have a minimum thickness of 458g/m² on each side a total of 916/m² of steel.

The zinc thickness is controlled by the amount of time each part is immersed in the molten zinc bath as well as the speed parts too large to fit into the galvanizing kettle and therefore, must be dipped one end at a time. It does not refer to extra coating thickness.

TECHNICAL DATA

The Layer of zinc which galvanized bonds to steel provides a dual protection against corrosion. Its protects first as “shield” an overall, impermeable barrier coating. If this coating happens to be scratches or gouges through shipping or installation, zinc secondary defense is called upon to protect the steel by galvanic action. Hot dip Galvanized after Fabrication is recommended for prolonged outdoor exposure and will protect steel for 20 years or more in most atmospheric environment and in many aggressive industrial environment.

Hot Dipped Galvanizing process:



COATING WEIGHT DATA SHEET ZINC HOT DIP GALVANIZING

COATING WEIGHT (ASTM A 386-73) WEIGHT OF ZINC COATING FOR VARIOUS CLASSES OF MATERIAL AND THICKNESSES OF PLACES IN THE ASSEMBLES

Class of Material	Minimum weight of Zinc Coating Oz/Ft ² (g/m ²) of surface	
	Average of Specimen tested	Any individual Specimen
Class A - Casting Gray iron, malleable, iron, steel:	2.00 (610)	1.80 (550)
B. 1-3/16in (4.76mm) and over in thickness	2.00 (610)	1.80 (550)
B. 2-under 3/16in (4.76mm) in thickness		
Class C-Bolts and drive screw (over 3/8 in. (9.52mm in diameter) and similar articles	1.50 (458)	1.25 (381)
Class D-Bolts and drive screw (3/8in. (9.52mm) and under in diameter) and similar article	1.25 (381) 1.00 (305)	1.00 (305) 0.85 (259)

TECHNICAL DATA

Stainless Steel

Stainless Steel Cable Trays (Side rails, rungs and splice plate) cable channel and strut are available in AISI Type 304, AISI type 316 or AISI type 316L. Both are non-magnetic and belong to the group called austenitic.

Stainless steels, based on alloy exhibit increased strength when cold worked such as roll forming and bending.

Several important conditions should make the use of stainless steel imperative. These include long term maintenance costs, high ambient temperature and location where product contamination is undesirable.

SADENCO Stainless Steel Cable Trays are welded using stainless steel welding wire to ensure each weldment.

More specific information concerning the differences between type 304, 316 and 316L are available from SADENCO.

Here is the Brief Summary:

Exhibits the same corrosion resistant characteristic as the base metal.

Type 304 resists more organic chemicals, dyes stuff and a wide variety of inorganic chemicals at elevated or cryogenic temperature. Type 316 contains slightly more nickel and adds molybdenum to give it better corrosion resistance in chloride and sulfuric acid environments.

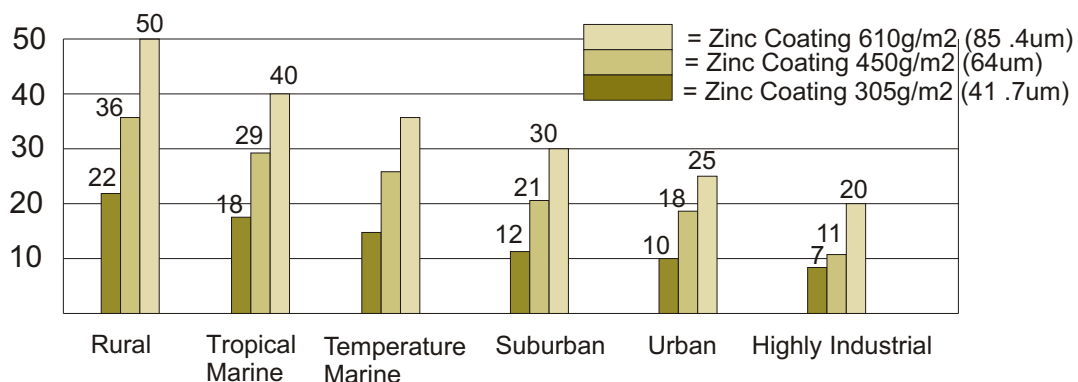
A detailed study of corrosion environment is recommended when considering a stainless steel design.

FINISHES:

Zinc Coating

Protective Zinc coating are available from SADENCO steel cable trays fittings and accessories in three basic forms: (1) Electro Galvanized, (2) Pre-Galvanized, and (3) Hot -Dip after Fabrication, In all three cases, the zinc protect first as a coating and second as a sacrificial anode to repair bare areas at cut edges, scratches, and gauges, The corrosion resistance of zinc is directly related to thickness and the environment. This means a 0.2 mil coating will last as long as 0.1 coating in the same environment.

Anticipated Life Zinc Coatings in Various Atmospheric Environment



TECHNICAL DATA

1. Destruction

Load Test

A. Test Specimen - For each design of cable tray, two representative straight section specimens of the widest width shall be tested on the specific span.

Differences in gauge, height of side rails, rung of bottom to side rail connection, or the configuration of any part constitute a different design.

B. Type and Length of Spans - Test spans shall be simple beam spans with free unrestrained ends. Trays shall not have side restrains. Span lengths shall be as specified plus or minus 38m/m.

C. Orientation of Specimen - Specimen shall be tested in a horizontal position. The Total length of the test specimen shall be not more than specified span length plus 20 percent. Any overhang shall be equal.

D. Supports - Each end of the specimen shall be supported by a 28m /m wide 19m/m high steel bar(s) with 120 - degree "vee" notch cut in its bottom to a depth of 4.7 m/m the "vee" notch shall rest on a 25m/m solid round a steel bar which is welded at a maximum of 200 m/m on center to a firm steel base.

E. Loading Material - Loading materials shall be steel strips, lead ingot, or other loading materials .

Steel strips shall be rounded or deburred edges, a maximum thickness of 3.2 m/m a width of 28m/m to 50m/m and a minimum length of 300m/m/.

F. Loading - All specimen shall be loaded to destruction. The load shall be applied in at least Ten increments which are approximately equal.

Loading shall be uniformly distributed for the length and width of the specimen except that the loading materials shall be not closer than 12m/m not further than 1 inch from the innermost elements of the side rails. It shall be arranged across the loading material does not bridge transversely. All loading material shall be placed between the support without overhanging.

For loading weight in ladder - type tray. It is permissible to cover the bottom of the tray between support with a flat sheet of No. 9 gauge flattened expanded metal not more than 3 feet long and with a wire hole size of 910m/m long. The expanded metal of sheet steel shall not be fastened to the tray and shall be no closer than 12mm to the side rails. The 910 mm lengths steel shall be added to the total weight of the loading materials.

G. Destruction Load capacity - the total weight of the loading material on the cable tray at the time it is destroyed shall be considered to be destruction load capacity of the cable tray.

H. Interpolation and Extrapolation of test data - when allowable load and deflection data are determined by load tests values for span lengths not tested shall be determined by interpolation from a curved based on values for a minimum of three tested span lengths. Extrapolation toward shorter span length is permissible but shall not be used for span length longer than longest span length tested.

2. Deflection Test

The vertical deflection of the tray shall be measured at two points along the line midway between the support and at right angle between the longitudinal axis of the tray. The two points of measurement shall be at the midpoint of the span of each side rail.

The average of these two readings shall be considered to be the vertical deflection of the tray.

TECHNICAL DATA

3. Electric Continuity of Connection

A. Test Specimen - Each specimen shall consists of 610 mm length of the side rails plus mechanical connection means.

B. Resistance Test Procedure - Each specimen shall be joined together using the mechanical joined connector and following the instructions provided by the manufacturer.

A current 30 amperes shall be passed through the specimen and the resistance measured between two points six inches on each of the joint. The net resistant of the joint shall not be more than 0.0033 ohm as computed from the measured voltage drop and passing through the specimen.

Materials

Aluminum

The primary structural member of SADENCO Standard Aluminum Cable Trays (Side rail, rungs and splice plate, Cable Channel and strut) are extruded from aluminum alloy 6063, hold down clamps and strut fittings are formed from aluminum alloy 5052, both of these alloy copper free.

The non magnetic properties of aluminum minimize voltage loss due to hysteresis and eddy current, and provided a good quality ground path. The high strength to weight ration of the aluminum, Cable trays can greatly affect the overall cost of installation through ease of handling and field cutting. An aluminum trays weights approximately ½ that of a comparable size steel tray.

Aluminum owes is excellent corrosion resistance to its ability to form an aluminum oxide film that when scratched or out immediately reforms the original protective film. In most outdoor applications, aluminum has excellent resistance to “weathering” the resistance to chemical, indoor or outdoor, exposure to the specific conditions for which it is intended.

Zinc plated fasteners and clamping devices are standards for use with D.M. Aluminum Cable tray. Stainless Steel and Aluminum hardware is also available.

Steel

SADENCO steel cable trays (side rails and rungs) cable channel and strut are continues roll formed structural quality steel G3101 plain steel and ASTM A525 per galvanize Steel by cold working steel, the mechanical properties are increased allowing the use of a lighter gauge steel to carry the require load, there by reducing the dead weight that must be carried by the supports. Using the structural quality steel . Can assure the designer of minimum yield and ultimate strength to meet his requirements.

Corrosion resistance of steel varies widely with coating and alloy SADENCO standard finish for cable tray, cable channel and strut are pre-galvanized and hot-dip galvanized and PVC epoxy coated steel are also available for special environmental conditions.

Splice plate for steel cable tray are made from high strength low alloy steel and are coated with the same corrosion resistance finish as the cable trays.

TECHNICAL DATA

MANUFACTURING STANDARD

1.1. Materials

Cable trays shall be made of either corrosion resistant metal or metal with corrosion -resistant finish.

1-2. Welding

The welding procedure use in fabrication of all J-W cable tray and accessories in accordance with the latest American Welding Society standard. AWS D1.3 Our Welders are qualified per the ASW Code. J - W aluminum and steel cable trays are welded by the MIG (Metal Inert Gas) or TIG (Tungsten Inert gas) welding process producing smooth, clean, slag-free weldment.

1-3. Finishes **Steel used for cable trays shall be protected against corrosion by being:**

1. Continues rolled hot -dip Galvanized in accordance with the ASTM A 525. "Specification for Zinc-Coated (Galvanized) Iron or Steel Sheets. Coils and cut lengths".
2. Hot Dip Galvanized after fabrication in accordance with the ASTM A 386 " Specification for Zinc Coating (Hot-Dip) on Assembled Steel Products".

2-1. Dimensions

A. Ladder-Type Trays

1. Lengths of Straight Sections -2.4 M or 3.6 m plus or minus 3m/m not including connectors if attached.
2. Widths - 150, 200, 300, 450, 600, 750, and 900 m/m plus or minus 6.0 m/m inside dimensions.
3. Depths - Outside depths shall be 70, 75, 100, 115, 120, 150 and 200 m/m plus or minus 3.0m/m.
4. Rung Spacing on Straight Sections - 150,200, 250, 300 and 500m/m on centers.
5. Radius - 300, 600 and 450m/m
6. Degree of Arc for Bends - 30, 45, 60, and 90 degrees.

B. Solid Bottom - Type Trays

1. Lengths of Straight Sections - 2.4m or 3.0 m plus or minus 3.0m/m not including connector if attached.
2. Widths - 150, 200, 300, 450, 600, 700, and 900m /m plus or minus 6.0 m/m inside dimension.
3. Depths - Outside depths shall be 75, 100 and 150 mm plus or minus 3.0.mm.
4. Radius - 300, 600 and 45 mm.
5. Degree of arc for bends - 30,45,60 and 90 degrees.
6. Bottom - The Bottom is solid type.

C. Punched -Type trays

1. Lengths of Straight Sections 3.0m or 2.0 m plus or minus 3m/m not including connector if attached.
2. Widths - 50, 70, 100, 150, 200, 300, 450 and 750m/m plus or minus 6.0m/m inside dimension.
3. Depths - Outside depths shall be 20, 50, 75 and 100 mm plus or minus 3.0 mm.
4. Radius - 300, 3600 and 450 m/m.
5. Degree of Arcs for bend - 30, 45, 60 and 90 degrees.
6. Bottom -
the Bottom is punched.

D. Channel-type Trays

1. Lengths of Straight Sections - 3.0 M plus or minus
2. Widths - 75, 100 and 150m/m plus or minus 6.0mm inside dimension.
3. Depth - Outside depths shall be 40 mm plus or minus 3.0m/m.
4. Radius - 300, 600 and 450 m/m.
5. Degrees of Arc for Bends - 30, 45, 60 and 90 degrees.
6. Bottom - The Bottom is punched.

TECHNICAL DATA

For small articles, the test area shall consist of the whole surface of agreed parts thereof, For large article, e.g. Structural Steel sections, the minimum coating weight referred to in Table 1 shall be the average of determinations over a test area of 600 to 1200 mm².

Where the thread of bolt unsuitable for centrifuging are brushed after galvanizing the coating weight of the brushed areas shall be except from the requirements of Table 1.

Bolts are galvanized after screwing unless other wise specified; Bolts, which are to be fitted with nuts , are screw tolerance laid down in the appropriate specification without allowance being made for galvanizing. The nuts are tapped up to 0.4 mm oversize after galvanizing and thread are oiled.

COATING WEIGHT (JIS H 8641 - KS D 8308)

Classification	Notation	Coating Weight (g/m ²)	
Class 1	A	HDZ A	-
	B	HDZ B	-
Class 2	35	HDZ 35	350 min
	40	HDZ 40	400 min
	45	HDZ 45	450 min
	50	HDZ 50	500 min
	55	HDZ 55	550 min
Class 3	35A	HDZ 35A	350 min
	40A	HDZ 40A	400 min
	40B	HDZ 40B	400 min
	45B	HDZ 45B	450 min
	50B	HDZ 50B	500 min
	55B	HDZ 55B	550 min

Remark: When the coating of Class 2-5 of Class3055 is required, it is desirable to select the base metal of over 3.2 mm in thickness. For the base metal of thinner quality, it shall be the subject of agreement between parties concerned.

PVC Coated

Another of the corrosion resistant materials offered by the PVC (Poly Vinyl Chloride) coated steel and aluminum cable trays, cable channel, and strut. The PVC coating process begins by cleaning the product through a bonding coating is applied to the part and then heated to a temperature above the melting point of the coating powder . The product is then passed through a fluidized bed of vinyl plastic powder where the powdered particles melt. Adhere and flow out to form a smooth continues coating to a thickness controlled by the base metal temperature to complete the fusion of outer surface. The Standard coating thickness on PVC coated product are 15 mils plus or minus 5 mils since the chemistry of the thickness of vinyl plastic PVC determines longetivity, more than adequate, If the corrosive condition are such that the plasticizer are leached out.A thicker coating will be little to extend the life of the coated product. For certain severe environments, a plastisol dipped PVC coating is available on special order. PVC depends totally in the concept of encapsulation attached to the base metal of the bonding agent. If any size hole of the discontinuity occurs during to shipping or rough handling, the corrosive action can undercut the base metal to a were all the remains is PVC. In the event of fields cuts or any other damage to the coating , a liquid PVC patch must be applied to maintain the integrity of the coating after the installation complete, through owner to assure the absence of voids, pinholes, or cuts. Mineral acids or edible oils at temperature up to 66°C. However it is unsuited for solvent such as ketones, esters and

TECHNICAL DATA

3. Protection of Cable Insulation

The inside of cable tray systems shall present no sharp edges, burrs or projection which can damage cable insulation.

4. Fittings

The design and construction of fittings shall be based on the assumptions that they will be supported in accordance with the recommendation given in VE 1-5.05 for supported locations.

5. Making of Trays when used as Equipment Grounding Conductor

Where Steel and Aluminum Cable /tray /systems are used as equipment grounding conductors, Cable Trays sections and fittings shall be marked to show the minimum cross sectional area in accordance with article 318 of the National Electric Code.

6. Applicable Codes and Standards

All equipment, material and workmanship shall comply with the requirements and latest revisions of the following standards and codes where applicable , all in the same order of preference as this listing.

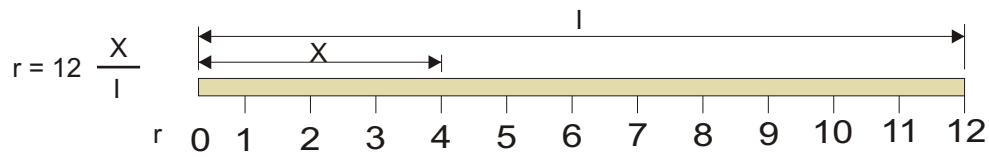
BSI - British Standards Institute
NEMA - National Electrical Manufacturers Association
NEC - National Electrical Code of USA
ASTM - American Society for Testing and Materials
AWS - American Welding Society
JIS - Japanese Industrial standards
KS - Korean standards

TECHNICAL DATA

DEFLECTION IN CABLE TRAY SYSTEMS

This is the vertical displacement of a cable tray under load and is usually measured at the flanges. Under normal applications, deflection limitations should not be included in design criteria for a cable tray system. The deflections is generally a maximum at the midpoint between the supports. The amount of deflection is of aesthetic importance only and has no direct bearing upon the allowable load capacity of a tray. Rigid restrictions on deflections of generally a maximum at the mid-point between supports. The amount deflection is a aesthetic importance only and has no direct bearing upon theallowable load capacity of tray.

Rigid restrictions on deflections of cable trays installed at or near eye level, or in some prominent prominent location, are common. However, it is neither economical nor considered good engi - neering practice to restrict deflection of a cable tray system in less prominent areas of the installation.



r	Continuous beam									Fixed Beam	r	
	Simple Beam	2 - Span		3 - Span		4 - Span		5 - Span				
		←Span 1 Span 2→	←Span 1 Span 3→	← Span 2	←Span 1 Span 4→	← Span 2 Span 3→	←Span 1 Span 5→	← Span 2 Span 4→	← Span 3			
0	0	0	0	0	0	0	0	0	0	0	12	
1	2.94	1.49	1.80	-0.363	1.68	-0.155	1.71	0.251	0.337	0.190	11	
2	5.79	2.78	3.36	-0.311	3.18	0.078	3.24	0.389	0.804	0.691	10	
3	8.03	3.97	4.64	0.078	4.40	0.544	4.37	1.71	1.81	1.23	9	
4	9.75	4.45	5.50	0.181	5.22	1.02	5.10	2.57	2.20	1.77	8	
5	10.88	4.57	*5.91	0.389	5.53	1.35	5.65	3.13	2.45	2.14	7	
6	11.31	4.49	5.86	0.449	5.47	1.62	5.56	4.15	2.72	2.25	6	
7	10.88	3.98	5.36	0.389	4.97	1.64	4.88	3.32	2.45	2.14	5	
8	9.75	3.16	4.48	0.181	4.11	1.36	4.19	3.20	2.20	1.77	4	
9	8.03	2.08	3.27	-0.078	2.93	1.03	3.01	2.59	1.81	1.23	3	
10	5.79	1.18	2.09	-0.311	1.83	0.640	1.89	1.85	0.804	0.691	2	
11	2.94	0.285	0.804	-0.363	0.657	0.147	0.700	0.838	0.337	0.190	1	
12	0	0	0	0	0	0	0	0	0	0	0	

* Maximum deflection for continuous beams up to and including 5 spans.

$$\triangle = C \frac{WcL^4}{EI}$$

Where \triangle = deflection, cm
 Wc = carried load
 L = span length, cm
 E = Modulus of elasticity, Kg/cm²
 I = Moment of inertia of carrier stringer, cm²
 C = Values shown in table above

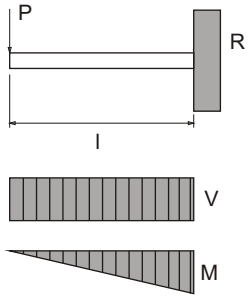
EXAMPLE: A cable tray with specified load has a simple beam deflection of 4.87 cm at mid-span. Find the deflection for the fifth span of the 5-span installation. From the above table the maximum constant in the free beam columns is 11.31. Note that this is in the center of the span. For the 5-span installation, length from the support between spans 4 and 5. The maximum deflection of this fifth span is given by,

$$\triangle = 4.87 \times \frac{5.65}{11.31} = 2.43 \text{ cm.}$$

TECHNICAL DATA

LOADING FORMULA ON COMMON BEAM

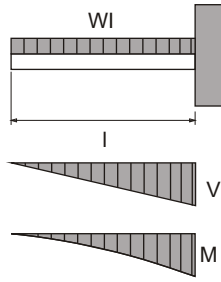
CANTILEVER BEAMS



$$V_{\max} = P$$

$$M_{\max} = P\ell$$

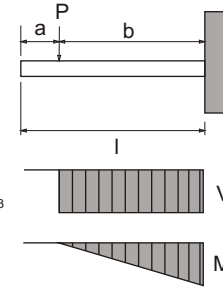
$$\Delta_{\max} = -\frac{P\ell^3}{3EI}$$



$$V_{\max} = W$$

$$M_{\max} = \frac{W\ell}{2}$$

$$\Delta_{\max} = -\frac{W\ell^3}{8EI}$$

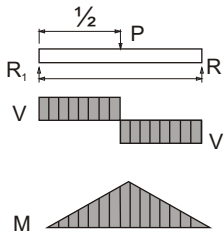


$$V_{\max} = W$$

$$M_{\max} = P\ell$$

$$\Delta_{\max} = -\frac{Pb^2(3\ell + b)}{6EI}$$

SIMPLE BEAMS

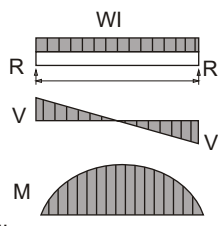


$$R = \frac{P}{2}$$

$$V_{\max} = \frac{P}{2}$$

$$M_{\max} = \frac{P\ell}{4}$$

$$\Delta_{\max} = -\frac{P\ell^3}{48EI}$$

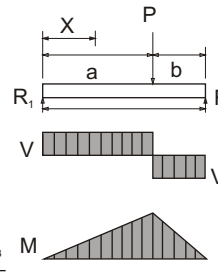


$$R = \frac{W}{2}$$

$$V_{\max} = \frac{W}{2}$$

$$M_{\max} = \frac{W\ell}{8}$$

$$\Delta_{\max} = -\frac{5W\ell^3}{384EI}$$



$$R_1 = \frac{Pb}{l}$$

$$R_2 = \frac{Pa}{l}$$

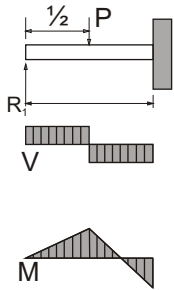
$$V_{\max} = \frac{Pab}{l}$$

$$M_{\max} = \frac{Pab}{l}$$

$$\Delta_{\max \text{ at } x} = \frac{Pab}{l} \sqrt{\frac{a(a+2b)}{3a(a+2b)}}$$

$$\Delta_{\max} = \frac{Pab(a+2b)\sqrt{3a(a+2b)}}{2}$$

BEAMS FIXED ONE END, SUPPORTED AT OTHER



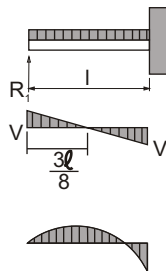
$$R_1 = \frac{5P}{16}$$

$$V_{\max} = 11P$$

$$M_{\max} = \frac{3P\ell}{16}$$

$$\Delta_{\max \text{ at } x} = 0.447\ell$$

$$\Delta_{\max} = 0.009317 \frac{P\ell^2}{EI}$$



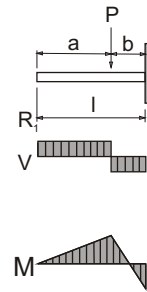
$$R_1 = \frac{3W}{8}$$

$$V_{\max} = \frac{5W}{8}$$

$$M_{\max} = \frac{W\ell}{8}$$

$$\Delta_{\max \text{ at } X} = 0.04215$$

$$\Delta_{\max} = \frac{P\ell^2}{185EI}$$



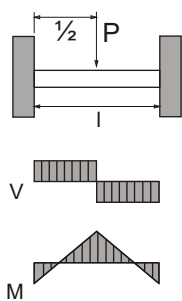
$$R_1 = \frac{Pb^2}{2\ell^3} (a+2\ell)$$

$$R_2 = \frac{Pa}{2\ell^3} (3\ell - a^2)$$

$$M \text{ at point of load} = R_1 a$$

$$M \text{ at fixed end} = \frac{Pb^2}{2\ell^3} (a+2\ell)$$

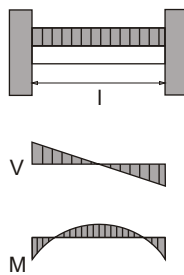
BEAMS FIXED AT BOTH ENDS



$$V_{\max} = \frac{P}{2}$$

$$M_{\max} = \frac{P\ell}{8}$$

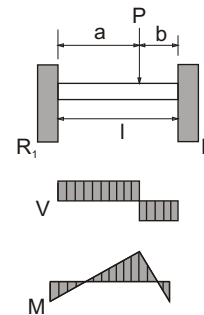
$$\Delta_{\max} = \frac{P\ell^3}{19EI}$$



$$V_{\max} = \frac{W}{2}$$

$$M_{\max} = \frac{W\ell}{12}$$

$$\Delta_{\max} = \frac{W\ell^3}{384EI}$$



$$R_1 = \frac{Pb^2}{\ell^3} (3a+b)$$

$$R_2 = \frac{Pb^2}{2\ell^3} (a+3b)$$

$$M_1 = \frac{Pab^2}{\ell^2}$$

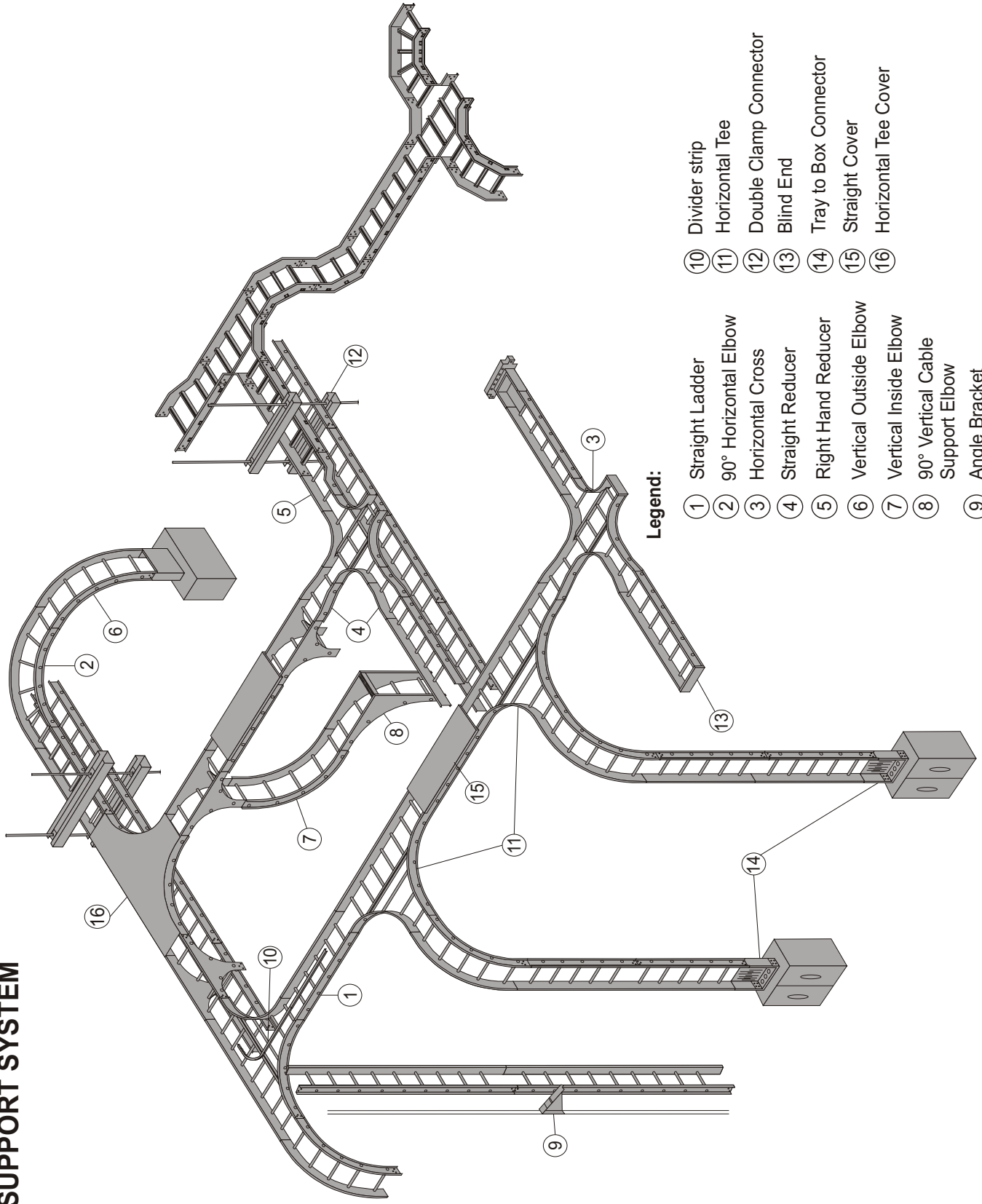
$$M_2 = \frac{Pa^2b}{\ell^2}$$

R - Reaction
M - Moment
P - Concentrated load

W - Total uniform load
V - Shear

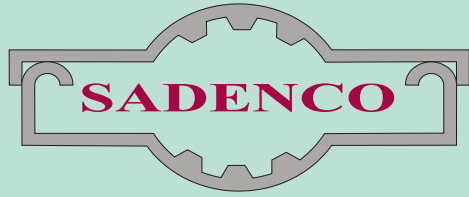
Δ - Deflection
E - Modulus of Elasticity
I - Moment of inertia

CABLE SUPPORT SYSTEM



Legend:

- | | | | |
|---|----------------------------------|---|------------------------|
| ① | Straight Ladder | ⑩ | Divider strip |
| ② | 90° Horizontal Elbow | ⑪ | Horizontal Tee |
| ③ | Horizontal Cross | ⑫ | Double Clamp Connector |
| ④ | Straight Reducer | ⑬ | Blind End |
| ⑤ | Right Hand Reducer | ⑭ | Tray to Box Connector |
| ⑥ | Vertical Outside Elbow | ⑮ | Straight Cover |
| ⑦ | Vertical Inside Elbow | ⑯ | Horizontal Tee Cover |
| ⑧ | 90° Vertical Cable Support Elbow | | |
| ⑨ | Angle Bracket | | |



FOR ELECTRICAL INDUSTRIES

A Division of
AL-BANDER Co. Ltd.



HEAD OFFICE :

**P.O. Box 8650 Jeddah 21492
Makarona Street
Kingdom of Saudi Arabia**

FACTORY :

**Old Makkah Road, K 26, Jeddah
Kingdom of Saudi Arabia**

Tel : +966 2 6701157 - +966 2 6720757 - +966 2 6723256

Fax : +966 2 6756695 - +966 2 6720192

Factory Fax : +966 2 2884532

**E-mail : sadenco@sadenco.net | info@sadenco.net
www.sadenco.net**